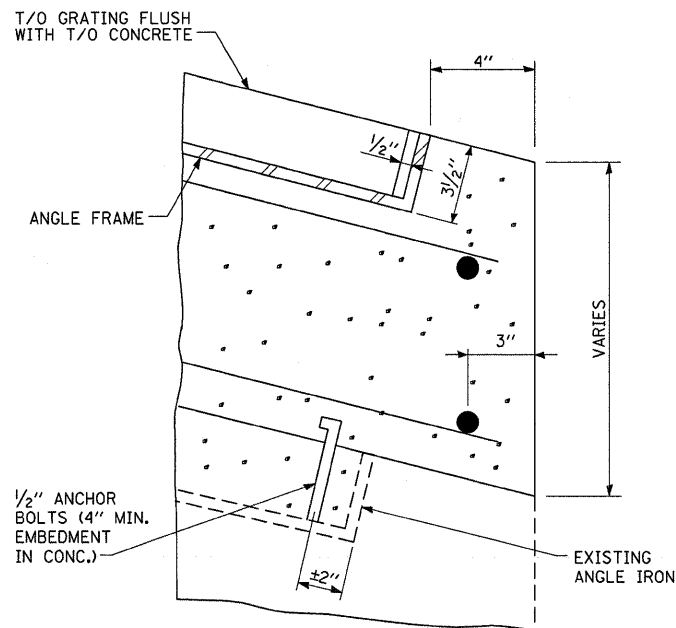
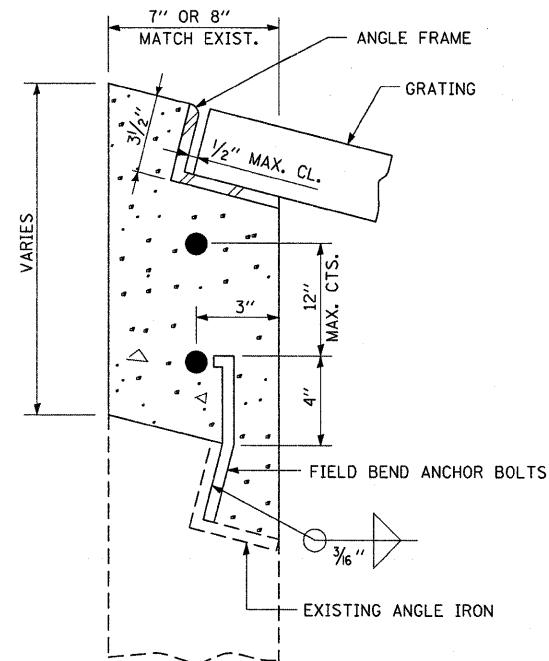


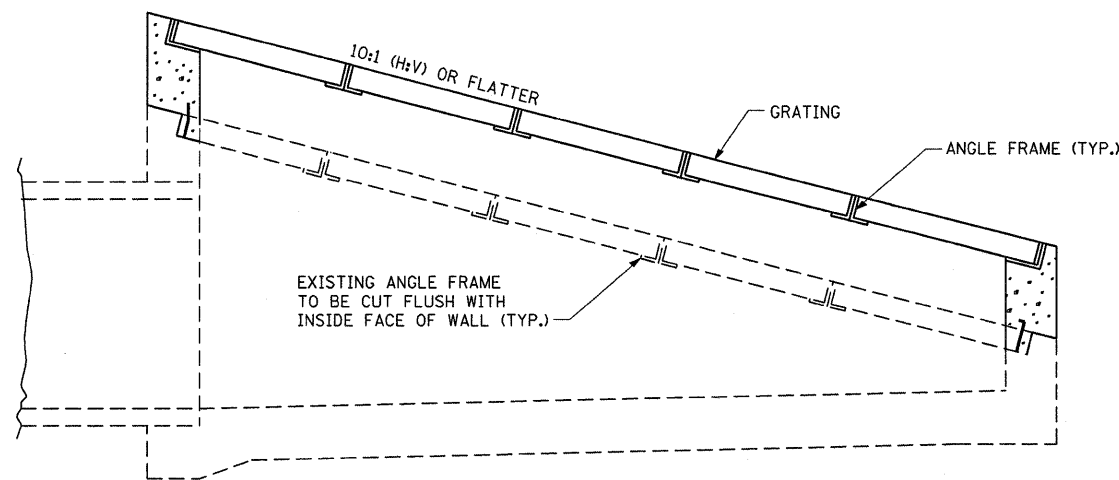
SECTION A-A



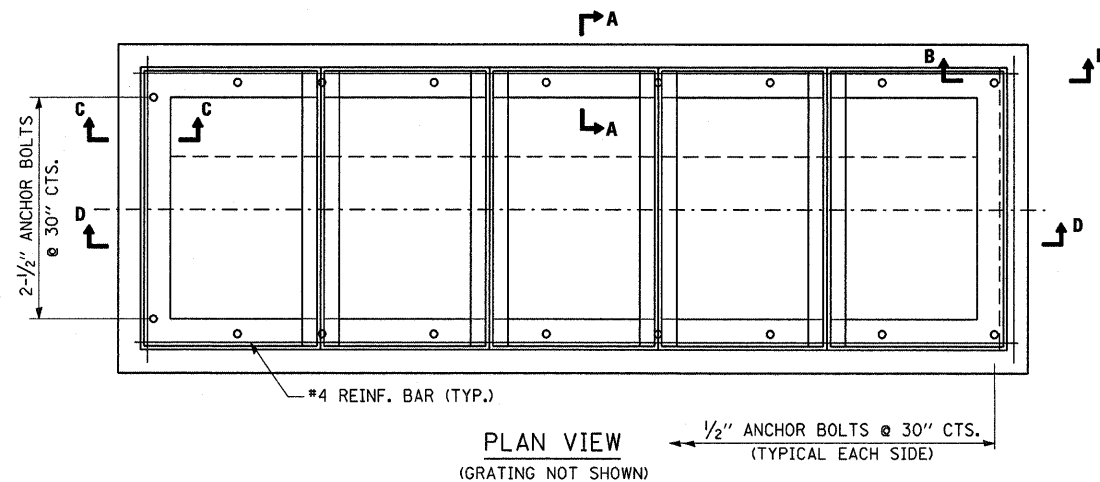
SECTION B-B



SECTION C-C



SECTION D-D



PLAN VIEW
(GRATING NOT SHOWN)

NOTES

ALL DIMENSIONS ARE IN INCHES UNLESS OTHERWISE SHOWN.

FOR DETAILS OF STEEL OR CAST GRATING NOT SHOWN SEE STANDARDS 542526 AND/OR 542531. EXISTING GRATING MAY BE REUSED IF IN GOOD CONDITION AND APPROVED BY THE ENGINEER.

ALL FRAMES SHALL BE GALVANIZED AND ANCHORED IN CONCRETE.

ALL ANCHOR BOLTS SHALL BE ACCORDING TO ARTICLE 1006.09.

THE 3/2" LEG DIMENSION OF THE ANGLE FRAME MAY VARY ACCORDING TO TYPE OF GRATING USED.

IT SHALL BE THE CONTRACTOR'S RESPONSIBILITY TO VERIFY DIMENSIONS IN THE FIELD AND MAKE NECESSARY APPROVED ADJUSTMENTS PRIOR TO CONSTRUCTION OR ORDERING MATERIALS.

CLASS SI CONCRETE SHOULD BE USED THROUGHOUT.

SEE SPECIAL PROVISIONS FOR INLET BOXES TO BE ADJUSTED (SPECIAL)

ALL MATERIALS SPECIFIED ARE INCLUDED IN THE INLET BOXES TO BE ADJUSTED (SPECIAL) PAY ITEM.

***INLET BOXES
TO BE ADJUSTED (SPECIAL)***

FILE NAME =	USER NAME = duncanbd	DESIGNED -	REVISED -	STATE OF ILLINOIS DEPARTMENT OF TRANSPORTATION	DETAILS			F.A.I. RTE.	SECTION	COUNTY	TOTAL SHEETS	SHEET NO.
ca:\pwork\pwidot\duncanbd\dms30392\ep5105-sht-details.DGN		DRAWN -	REVISED -		57	(38-1,2)RS-2 & I	IROQUOIS	263	65			
PLOT SCALE = 50,0000' / IN.		CHECKED -	REVISED -		SCALE: SHEET NO. OF SHEETS STA. TO STA.			CONTRACT NO. 66981				
PLOT DATE = Oct 21, 2009 - 08:37:35 AM		DATE -	REVISED -					ILLINOIS FED. AID PROJECT				