

NOTES

FOR DETAILS OF STEEL OR CAST GRATING NOT SHOWN SEE STANDARD 542526. EXISTING GRATING MAY BE REUSED IF IN GOOD CONDITION AND APPROVED BY THE ENGINEER.

ALL FRAMES SHALL BE GALVANIZED AND ANCHORED IN CONCRETE.

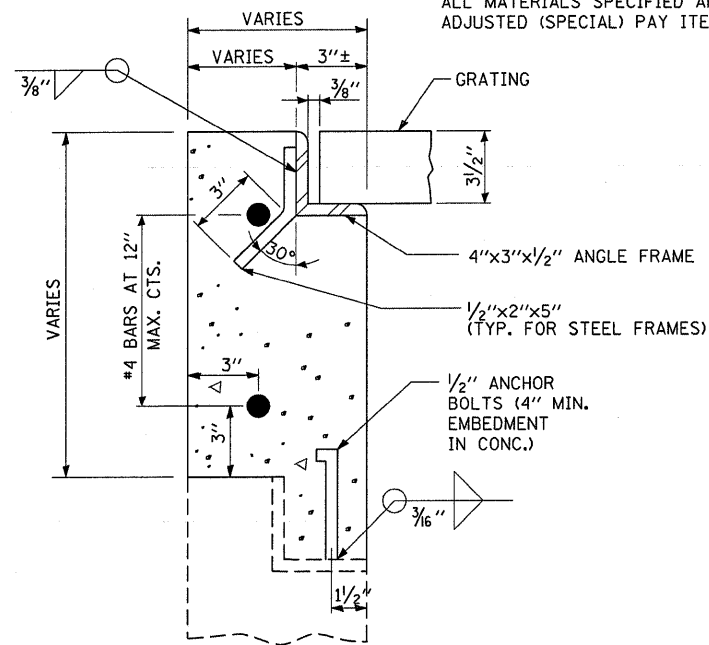
ALL ANCHOR BOLTS SHALL BE ACCORDING TO ARTICLE 1006.09.

IT SHALL BE THE CONTRACTOR'S RESPONSIBILITY TO VERIFY DIMENSIONS IN THE FIELD AND MAKE NECESSARY APPROVED ADJUSTMENTS PRIOR TO CONSTRUCTION OR ORDERING MATERIALS.

CLASS SI CONCRETE SHOULD BE USED THROUGHOUT.

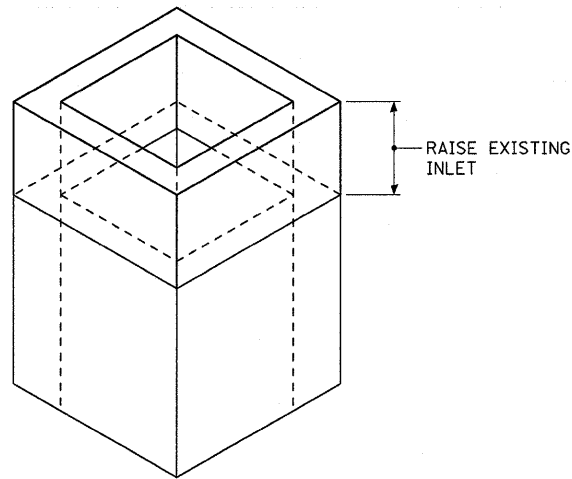
SEE SPECIAL PROVISIONS FOR INLET BOXES TO BE ADJUSTED (SPECIAL)

ALL MATERIALS SPECIFIED ARE INCLUDED IN THE INLETS TO BE ADJUSTED (SPECIAL) PAY ITEM.

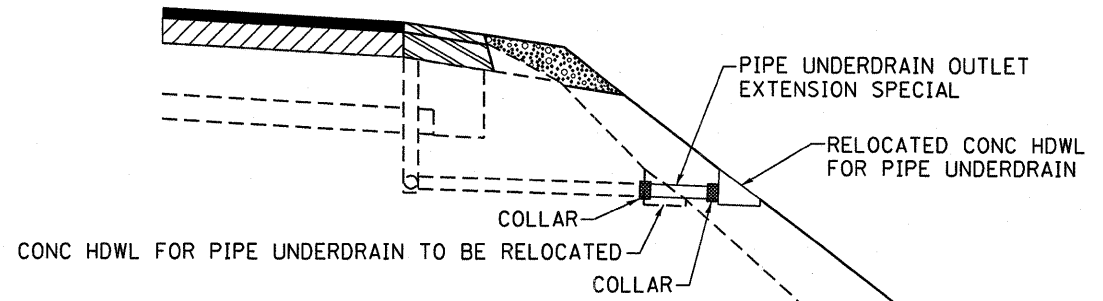


SECTION

MEDIAN INLET BOX ADJUSTMENT DETAIL

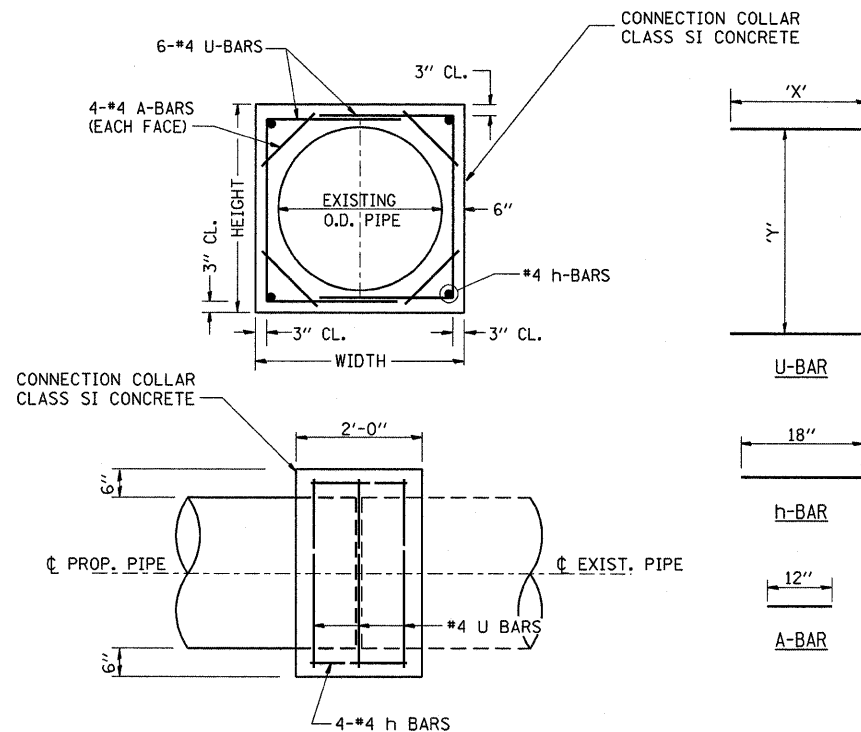


INLET BOX DETAIL



PIPE UNDERDRAIN TO BE FIELD LOCATED BY THE CONTRACTOR AND AS DIRECTED BY THE ENGINEER

PIPE UNDERDRAIN OUTLET EXTENSION SPECIAL



COLLAR DETAIL FOR PIPE CULVERT EXTENSIONS

LOCATION	EXISTING CULVERT SIZE	EXTENSION COLLAR		U-BAR		h-BAR		CONC. COLLAR	REINFORCEMENT BARS
		WIDTH	HEIGHT	12	'X'	'Y'	18		
STATION	FT. x FT.	IN.	IN.	IN.	IN.	IN.	IN.	CU. YD.	POUND
976+00±, NB.	2' Ø	42	42	12	26	36	18	0.5	39
RAMP BD.									
19+00±, RT.	2' Ø	42	42	12	26	36	18	0.5	39
19+00±, LT.	2' Ø	42	42	12	26	36	18	0.5	39
1021+00±, SB.	3' Ø	56	56	12	33	50	18	0.8	48
1026+00±, SB.	2' Ø	42	42	12	26	36	18	0.5	39
1079+32±, SB.	3' Ø	56	56	12	33	50	18	0.8	48