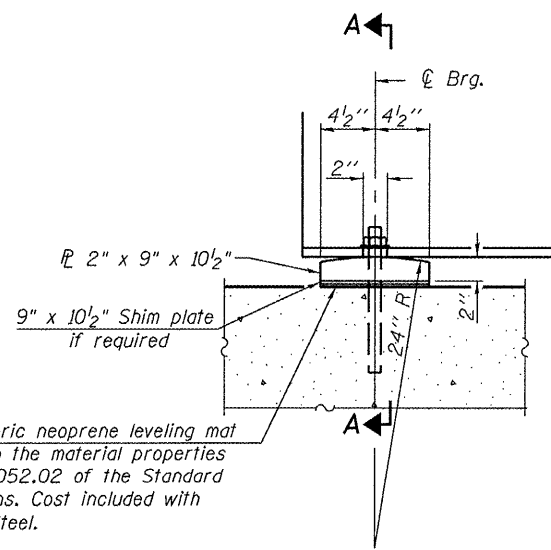


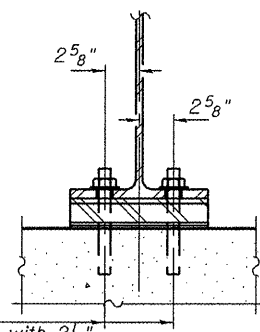
STATE OF ILLINOIS  
DEPARTMENT OF TRANSPORTATION



ELEVATION AT ABUTMENT

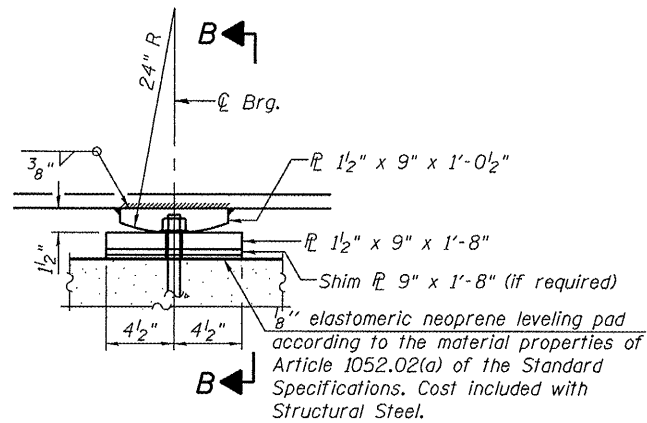
1/8" elastomeric neoprene leveling mat according to the material properties of Article 1052.02 of the Standard Specifications. Cost included with Structural Steel.

9" x 10 1/2" Shim plate if required



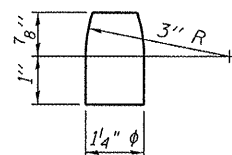
SECTION A-A

FIXED BEARING  
12 Required



ELEVATION AT PIER

FIXED BEARING  
6 Required



PINTLE

Notes:

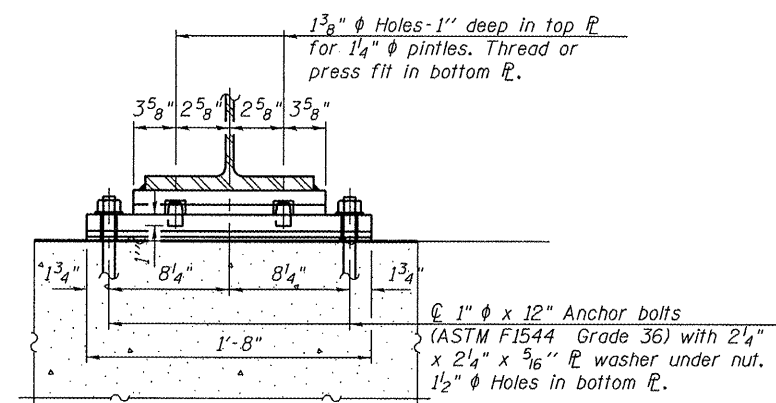
Anchor bolts shall be ASTM F1554 all-thread (or an Engineer-approved alternate material) of the grade(s) and diameter(s) specified. ASTM A307 Grade C anchor bolts may be used in lieu of ASTM F1554 Grade 36 (Fy=36ksi). The corresponding specified grade of AASHTO M314 anchor bolts may be used in lieu of ASTM F1554.

Anchor bolts at fixed bearings may be either cast in place or installed in holes drilled after the supported member is in place.

Drilled and set anchor bolts shall be installed according to Article 521.06 of the Standard Specifications.

Two 1/8 in. adjusting shims shall be provided for each bearing in addition to all other plates or shims and placed as shown on bearing details.

All bearing plates and pintles shall be AASHTO M270 Grade 50W.



SECTION B-B

BILL OF MATERIAL

Item	Unit	Total
Anchor Bolts, 1"	Each	36

DESIGNED	CTW
CHECKED	CDL
DRAWN	DP
CHECKED	CTW/CDL

BEARING DETAILS

STRUCTURE NO. 102-0068

SHEET NO. 16	EFK • Moen, LLC Civil Engineering Design		331 Salem Place Suite 225 Fairview Heights, IL 62208		Phone 618-206-4250 Fax 618-206-4253	
	F.A.S. RTE.	SECTION	COUNTY	TOTAL SHEETS	SHEET NO.	
26 SHEETS	2370	29BR-1	WOODFORD	76	38	
FED. ROAD DIST. NO.			ILLINOIS		FED. AID PROJECT	
				CONTRACT NO. 68466		