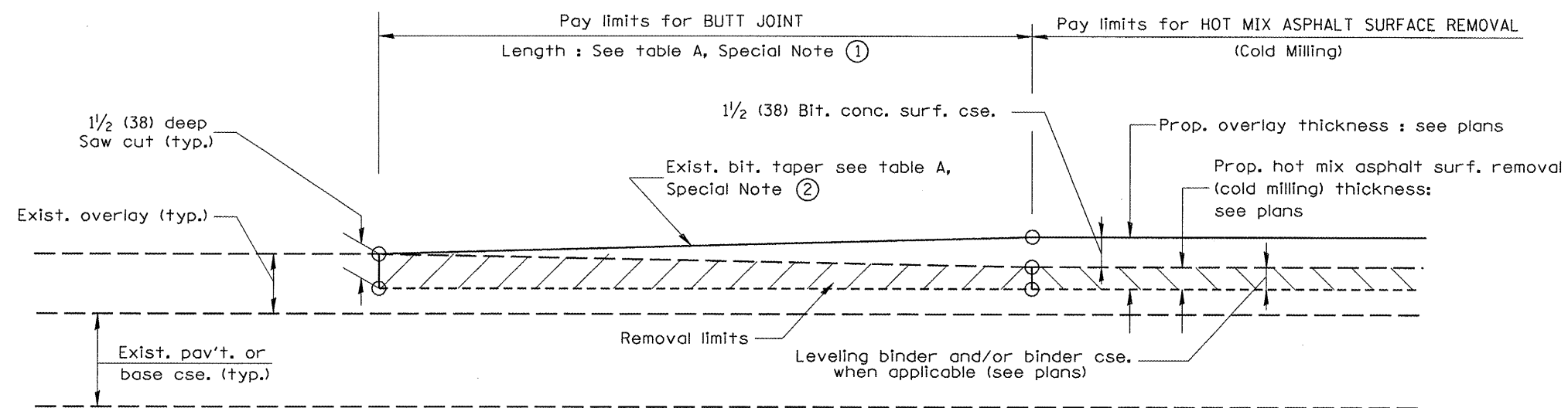
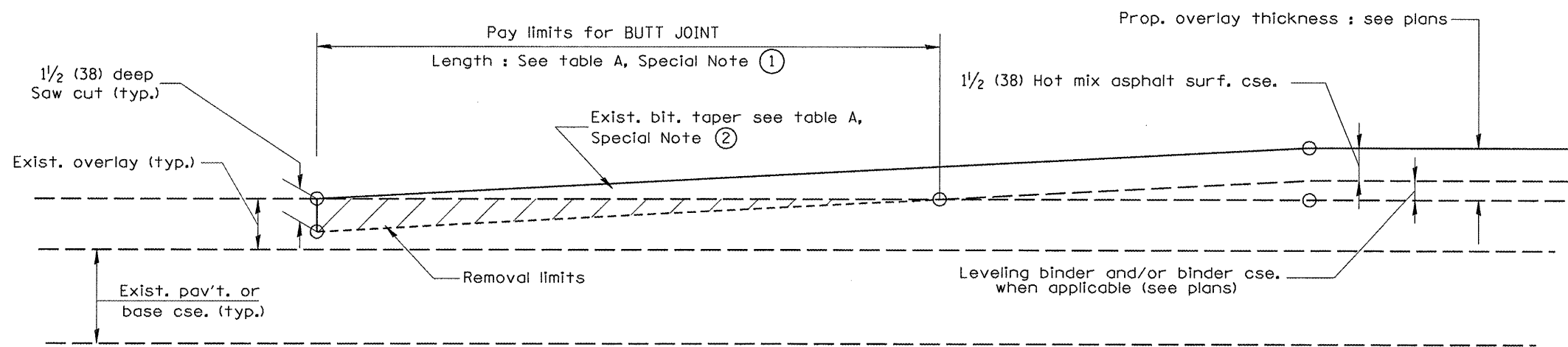


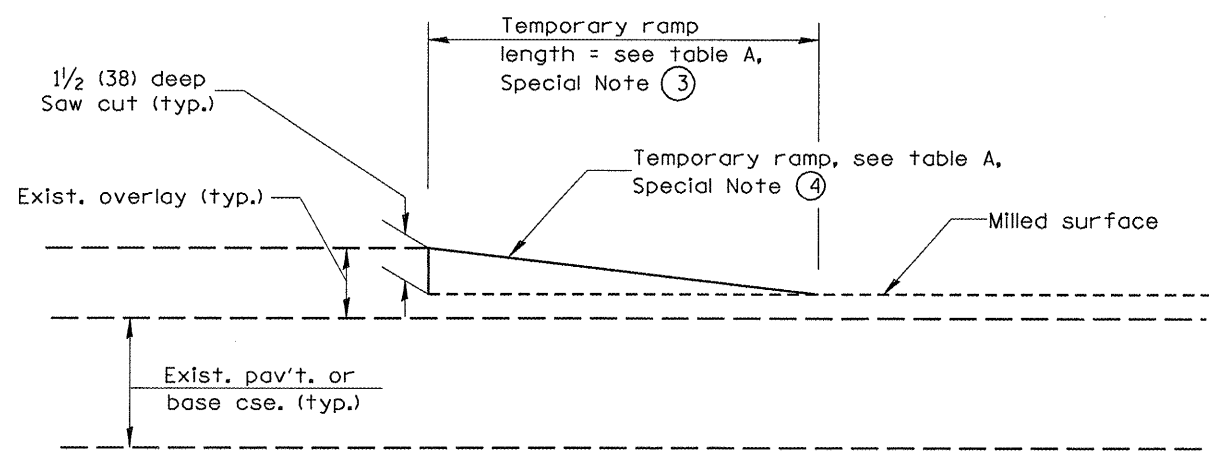
F.A.S. RTE.	SECTION	COUNTY	TOTAL SHEETS	SHEET NO.
2370	29BR-1	WOODFORD	76	52
STA. 258+25.00		TO STA. 269+35.00		
FED. ROAD DIST. NO.		ILLINOIS FED. AID PROJECT		



**CASE 3 : WITH HOT MIX ASPHALT SURFACE REMOVAL (COLD MILLING)  
TIE-IN TO EXISTING BITUMINOUS TAPER**



**CASE 4 : NO HOT MIX ASPHALT SURFACE REMOVAL (COLD MILLING)  
TIE-IN TO EXISTING BITUMINOUS TAPER**



**DETAIL TEMPORARY RAMP**

All dimensions are in inches (millimeters) unless otherwise noted.

ILLINOIS DEPARTMENT OF TRANSPORTATION  
**DISTRICT CADD STANDARD**  
**BUTT JOINTS**  
 CADD STD NO. 406101-D4 SHEET 2 OF 3  
 DRAWN BY CADD  
 SCALE: NOT DRAWN TO SCALE  
 CHECKED BY