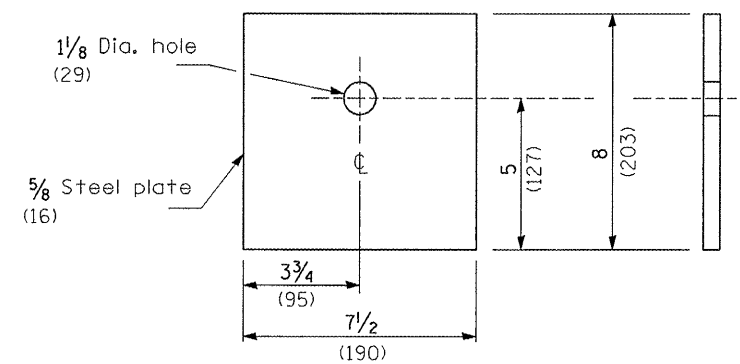
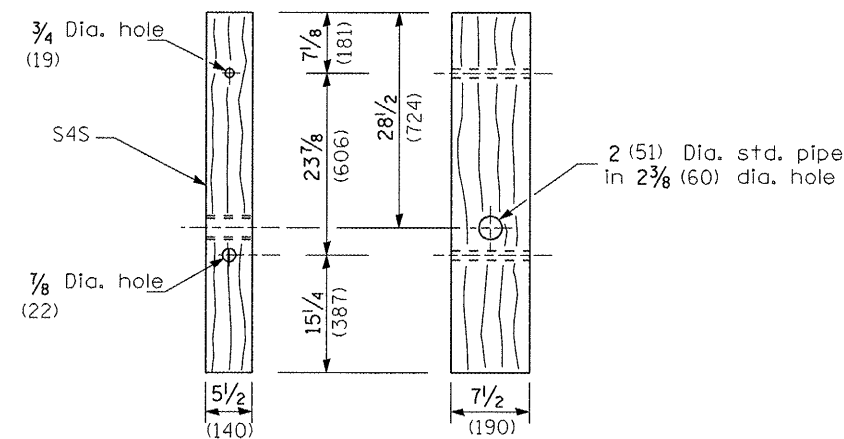


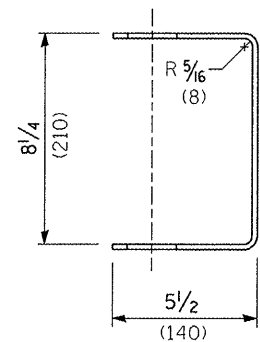
F.A.S. RTE.	SECTION	COUNTY	TOTAL SHEETS	SHEET NO.
2370	29BR-1	WOODFORD	76	57
STA. 258+25.00		TO STA. 269+35.00		
FED. ROAD DIST. NO.		ILLINOIS FED. AID PROJECT		



BEARING PLATE K

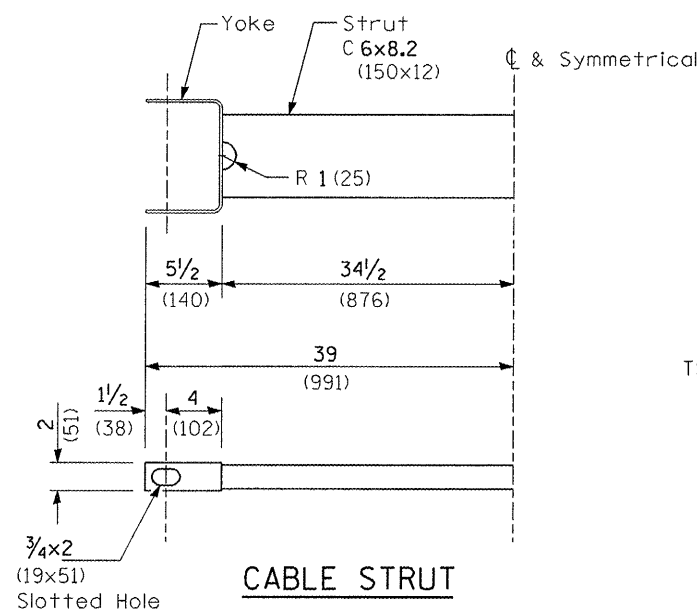


WOOD POST

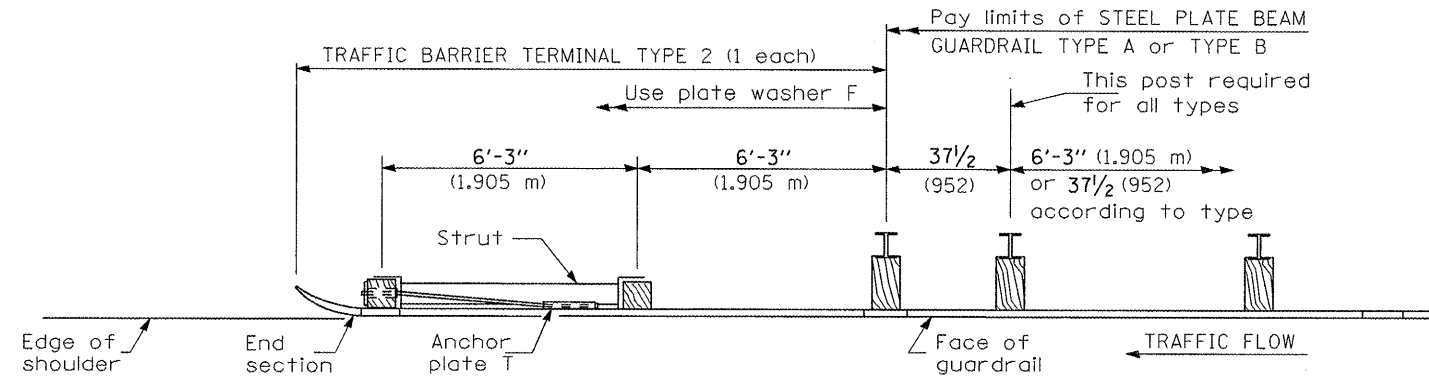


YOKE

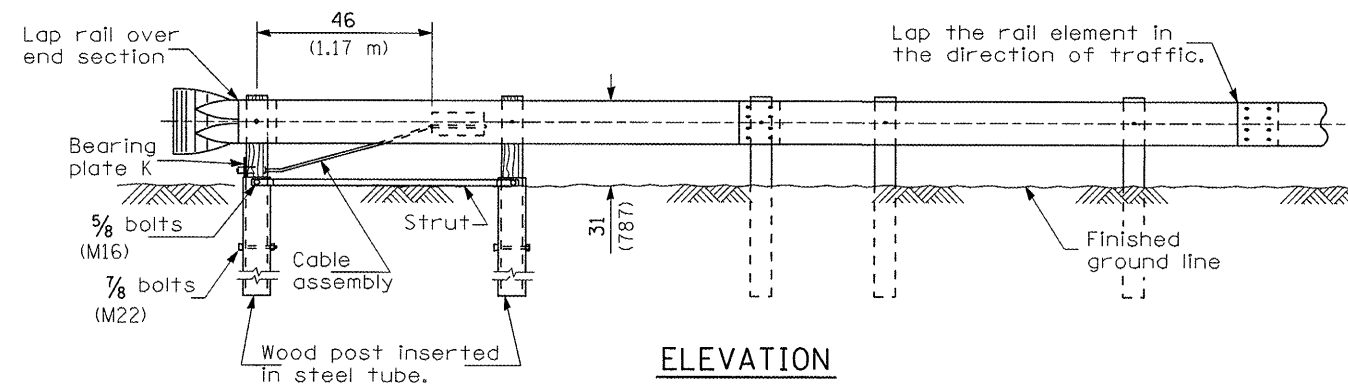
3/16 (5) thick steel



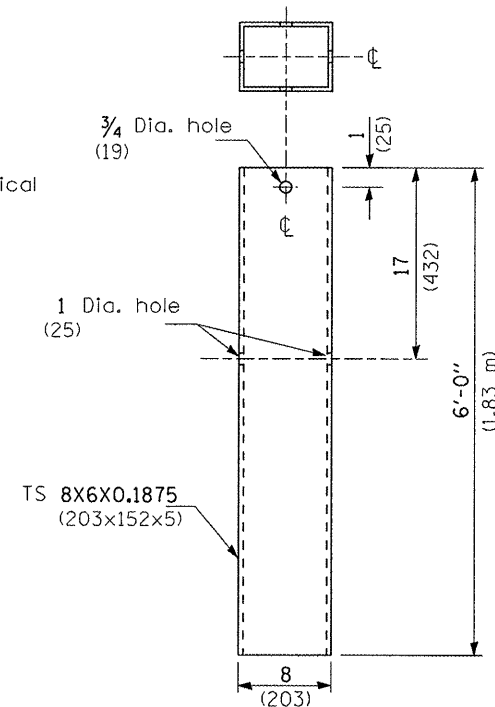
CABLE STRUT



PLAN



ELEVATION



STEEL TUBE

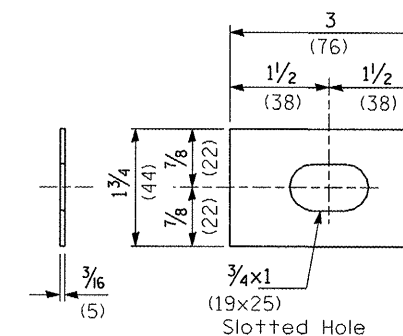


PLATE WASHER F

GENERAL NOTES

See Standard 630001 for details of guardrail not shown.

The bearing plate K shall be held in position by (2) two eight penny nails driven into the post and bent over the top of the plate.

All dimensions are in inches (millimeters) unless otherwise noted.

ILLINOIS DEPARTMENT OF TRANSPORTATION
DISTRICT CADD STANDARD

TRAFFIC BARRIER
TERMINAL, TYPE 2

CADD STD. 631011-D4
SCALE: NOT DRAWN TO SCALE
DATE

DRAWN BY: CADD
CHECKED BY:

DATE	REVISIONS	BY
3-1-07	NEW DETAIL	RJD

DESIGNER NOTE: This CADD Standard was created because the State Standard was not corrected to show the proper height (31") for new installations.
 1. Use this CADD Standard for new guardrail installations requiring a Type 2 end section.
 2. Use the State Standard 631011 when removing and re-erecting existing guardrail.
 3. Delete this CADD Standard when State Standard 631011 is corrected and reissued.