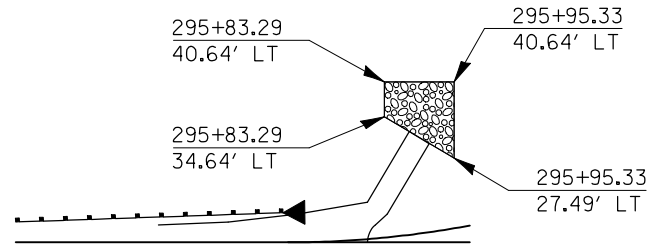
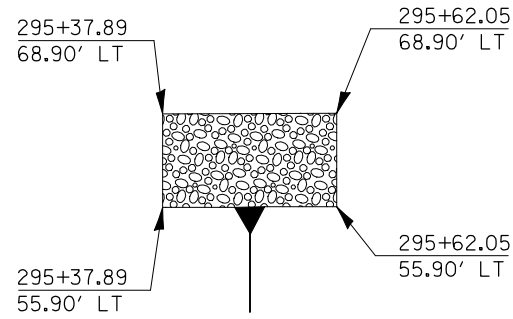


**SECTION 10, T20N, R6E, 3RD PM**



STA 1+40.83, 21.50' LT  
END SECTIONS 15"  
DS ELEV = 723.35

STA 1+50.00, 15.82' RT  
END SECTIONS 15"  
US ELEV = 723.41

**DETAIL NOTES:**

SEE DETAIL FOR SHOULDER INLETS WITH CURB AND APPLICABLE PORTIONS OF HIGHWAY STANDARD 610001-04 FOR DETAILS ON TYPE 24 FRAME AND GRATE, PIPE DRAINS 12".

LOCATIONS AND DIMENSIONS FOR STONE RIP RAP, CLASS A3 MAY VARY AND BE ADJUSTED IN THE FIELD BY THE ENGINEER.

SEE SHEET 16 FOR LOCATIONS OF HMA SHOULDER CURB

STATION 296+75.00 (PROP. U.S. 150) =  
STATION 0+00.00 (PROP. ALLEY)

STA 295+40.38, 52.50' LT  
END SECTIONS 12"  
DS ELEV = 723.25

PIPE DRAINS 12" = 44'

CONCRETE GUTTER, TYPE A = 25'

**11** CATCH BASINS, TYPE C,  
TYPE 24 FRAME AND GRATE

PIPE CULVERTS, CLASS D, TYPE 1 15" = 21'

MATCHLINE STATION 293+00.00

MATCHLINE STATION 299+00.00

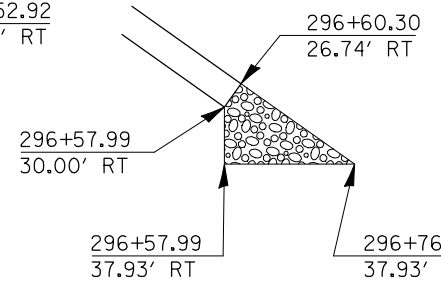
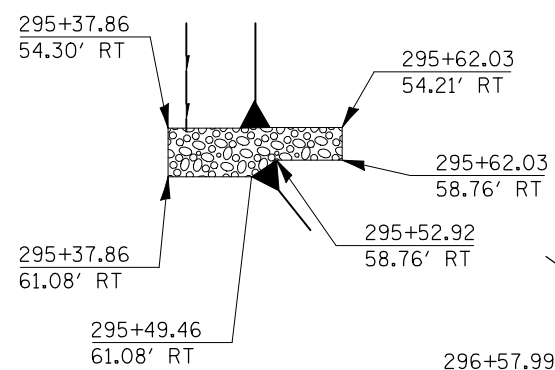
294 PROPOSED  $\phi$  F.A.S. RTE 1517 (U.S. ROUTE 150) 295+00 296 297 298

CATCH BASINS, TYPE C,  
TYPE 24 FRAME AND GRATE

PIPE DRAINS 12" = 45'

CONCRETE GUTTER, TYPE A = 54'

**12** STA 295+40.38, 54.16' RT  
END SECTIONS 12"  
DS ELEV = 723.03

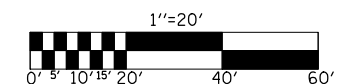


STA 295+50.00 PROPOSED A.R. CULVERT  
PIPE CULVERTS, CLASS A, TYPE 2 18" = 104'  
USFL 51.67' LT, ELEV = 723.25  
DSFL 50.06' RT, ELEV = 723.03  
CAST-IN-PLACE REINFORCED CONCRETE  
END SECTIONS 18" = 2 EACH

STA 204+32.65 PROP. A.R. CULVERT  
PIPE CULVERTS, CLASS A, TYPE 1 18" = 21'  
USFL 204+38.18, 8.40' RT, ELEV = 723.08  
DSLFL 204+26.24, 8.94' LT, ELEV = 723.08  
CAST-IN-PLACE REINFORCED CONCRETE  
END SECTIONS 18" = 2 EACH

STONE RIP RAP, CLASS A3

**SECTION 10, T20N, R6E, 3RD PM**



FILE NAME = c:\pwwork\p\WIDOT\SHERERJM\dms86674\0570388-sheet-Drainage.dgn	USER NAME = shererjm	DESIGNED - JMS	REVISED -	<b>STATE OF ILLINOIS DEPARTMENT OF TRANSPORTATION</b>	<b>DRAINAGE DETAILS</b>	F.A.S. RTE. 1517	SECTION 12VBR-1	COUNTY PIATT	TOTAL SHEETS 168	SHEET NO. 71		
PLOT SCALE = 40.0000' / IN.	CHECKED -	REVISIED -	SCALE: 1" = 20'			SHEET NO. 4 OF 4 SHEETS	STA. 293+00.00 TO STA. 299+00.00	CONTRACT NO. 70388				
PLOT DATE = 10/13/2009	DATE - 071409	REVISIED -	FED. ROAD DIST. NO. ILLINOIS FED. AID PROJECT									