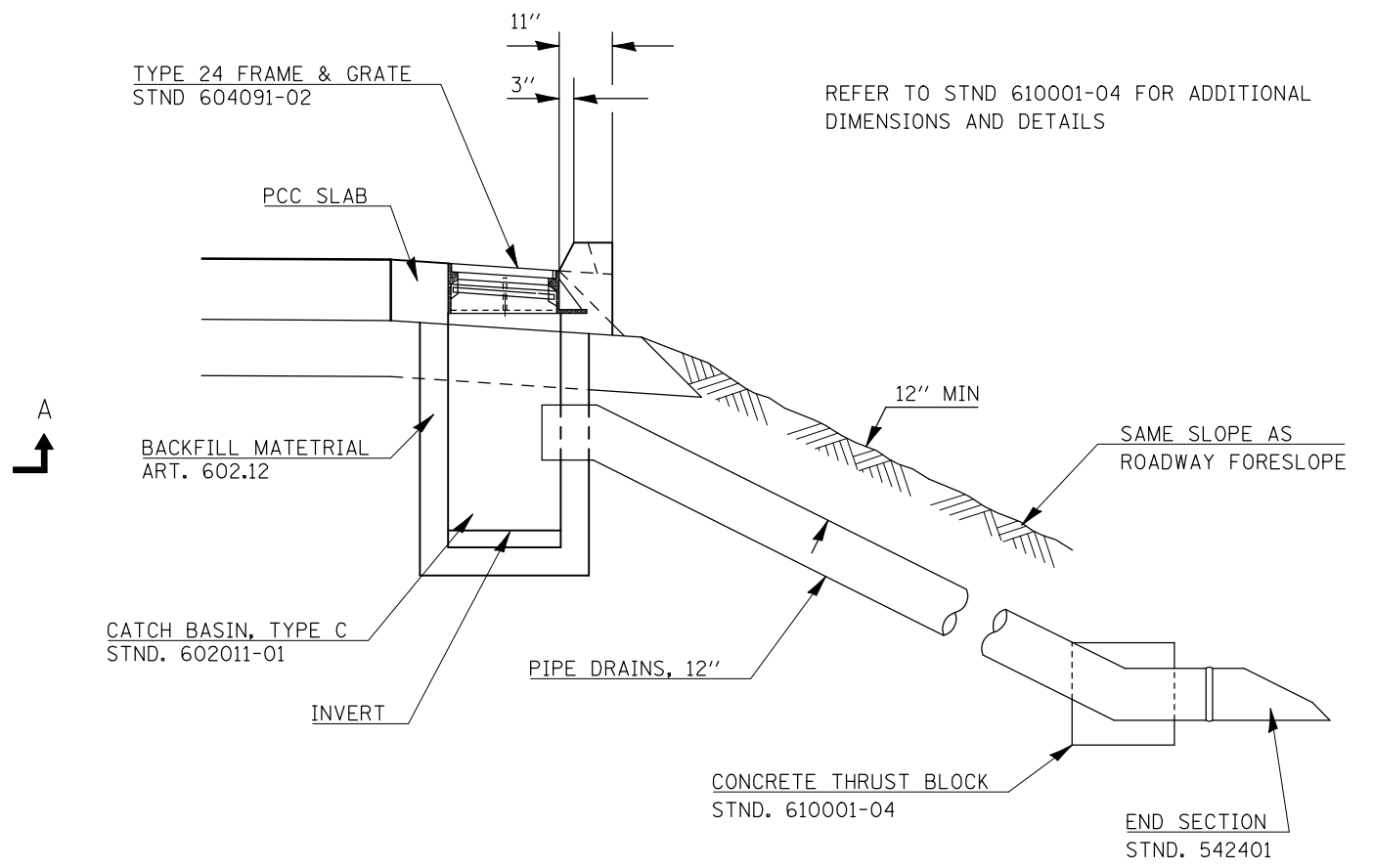


PLAN



SEC. B-B

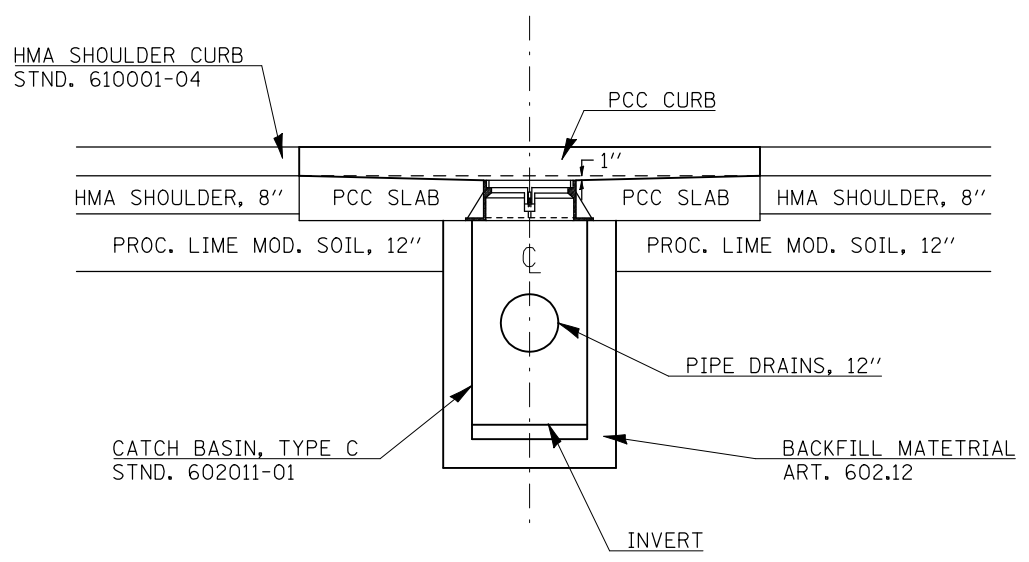
GENERAL NOTES

SEE STANDARD 610001-04 FOR HMA SHOULDER CURB DETAILS.

THE GUTTER GRADE SHALL BE DEPRESSED AT ALL INLETS.

THE COST OF THIS WORK SHALL BE INCLUDED IN THE COST OF THE VARIOUS PAY ITEMS OF THE WORK INVOLVED.

SEE SHEET 68 FOR SCHEDULE OF SHOULDER DRAINS.



SEC. A-A

FILE NAME =	USER NAME = shererjm	DESIGNED - JMS	REVISED -	STATE OF ILLINOIS DEPARTMENT OF TRANSPORTATION	DETAIL FOR SHOULDER INLETS WITH CURB			F.A.S. RTE.	SECTION	COUNTY	TOTAL SHEETS	SHEET NO.	
ct:\pw\work\PIWIDOT\SHERERJM\dms86674\0570388-sht-details.dgn		DRAWN - JMS	REVISED -		SCALE:	SHEET NO. 1 OF 1 SHEETS	STA.	TO STA.	1517	12VBR-1	PIATT	168	80
	PLOT SCALE = 40.0000' / IN.	CHECKED -	REVISED -		CONTRACT NO. 70388								
	PLOT DATE = 10/13/2009	DATE - 092509	REVISED -		FED. ROAD DIST. NO. ILLINOIS FED. AID PROJECT								