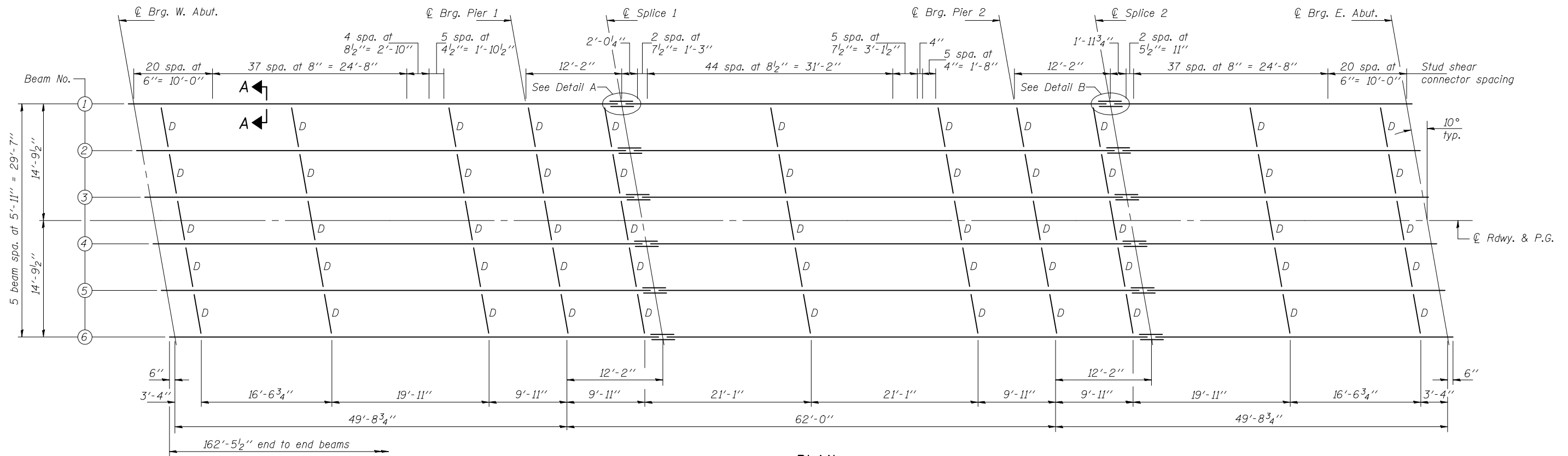
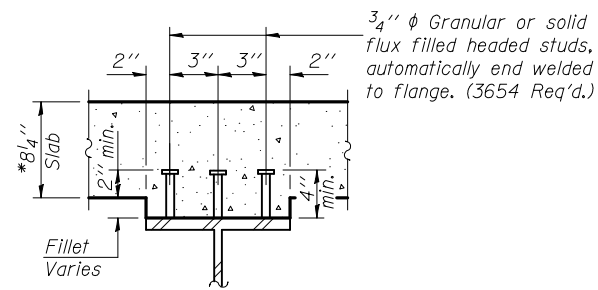


STATE OF ILLINOIS  
DEPARTMENT OF TRANSPORTATION



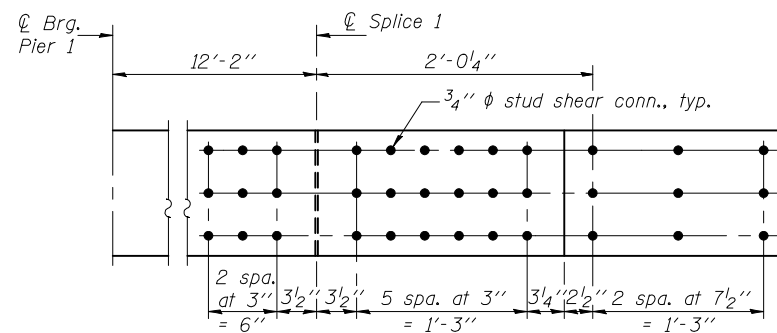
**PLAN**

(All beams are W27x94 AASHTO Grade 50W and NTR.)



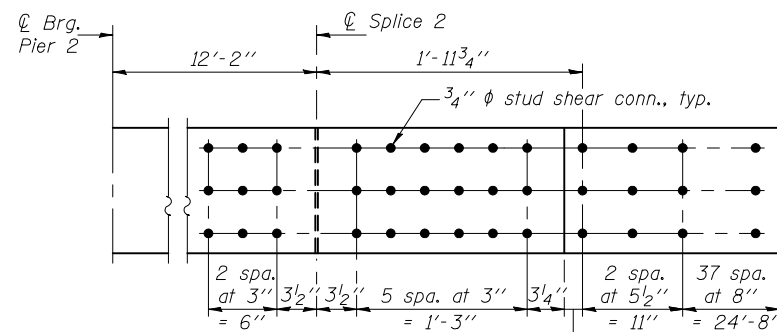
**SECTION A-A**

\*Prior to grinding



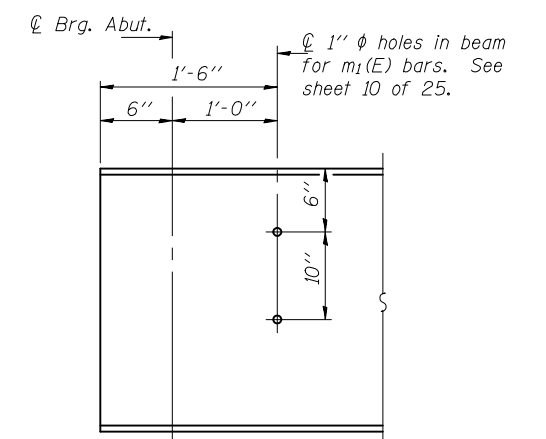
**DETAIL A**

(Splice bolts are not shown for clarity.)



**DETAIL B**

(Splice bolts are not shown for clarity.)



**END OF BEAM ELEVATION**

DESIGNED	D.P. Narielwala
CHECKED	S.M. Ryan
DRAWN	h.t. duong
CHECKED	DPN/SMR

November 25, 2009  
 EXAMINED *Thomas J. Domagala*  
 ENGINEER OF BRIDGE DESIGN  
 PASSED *Ralph E. Anderson*  
 ENGINEER OF BRIDGES AND STRUCTURES

**STRUCTURAL STEEL  
STRUCTURE NO. 074-0086**

SHEET NO. 13 25 SHEETS	F.A.S. RTE.	SECTION	COUNTY	TOTAL SHEETS	SHEET NO.
	1517	12VBR-1	PIATT	168	98
CONTRACT NO. 70388					
FED. ROAD DIST. NO. _ ILLINOIS FED. AID PROJECT					