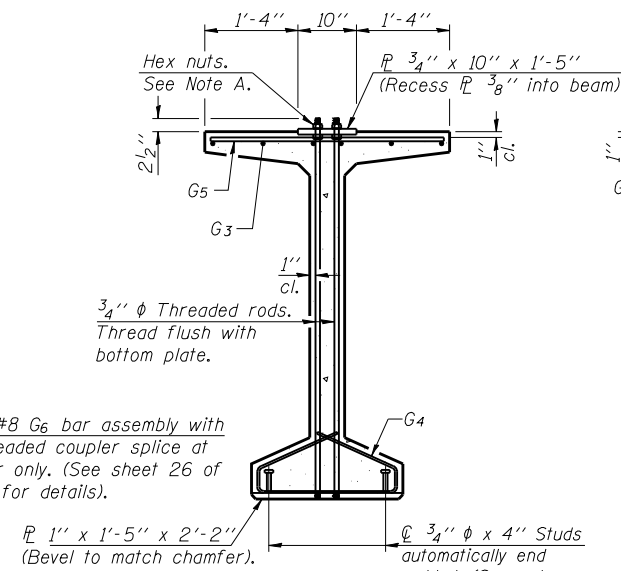
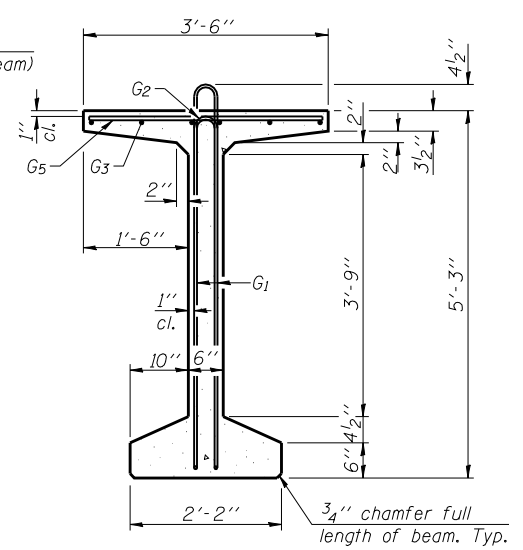


ELEVATION OF BEAM
(Showing reinforcement & dimensions)

* 4 spaces at 3'¹/₄" = 1'-1".
** 5-3'³/₄" ϕ threaded dowel rods at 3'¹/₄" cts., each face.



SECTION A-A



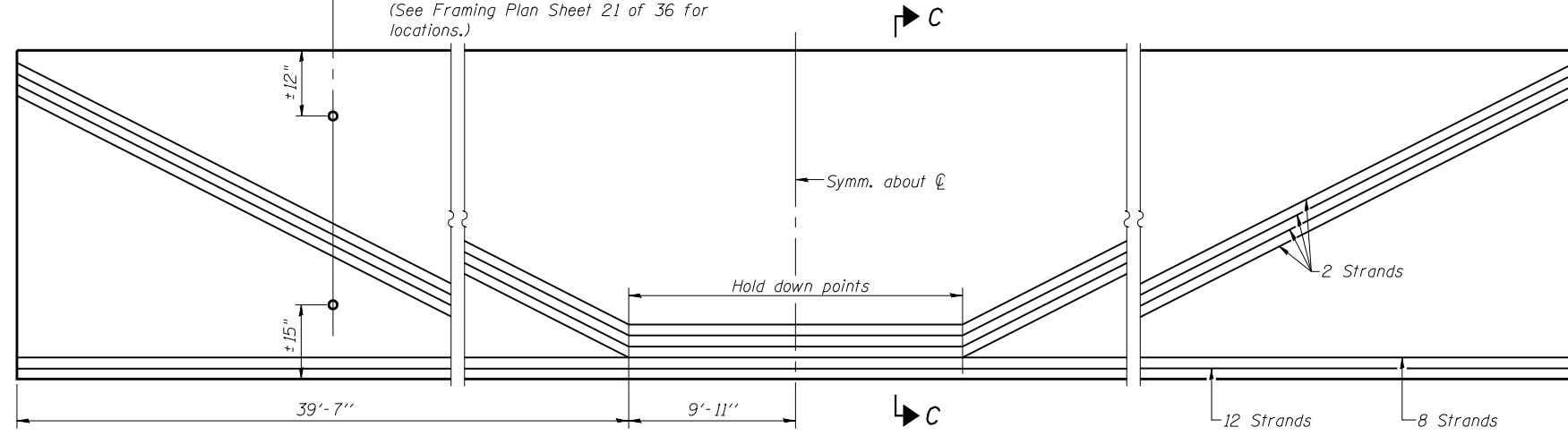
SECTION B-B

Note A:
Hex nuts (top and bottom) with lock washers (top). Only tighten sufficiently to compress lock washers.

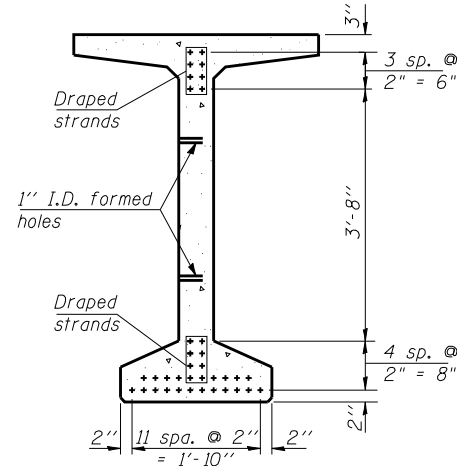
3-#8 G6 bar assembly with threaded coupler splice at pier only. (See sheet 26 of 36 for details).

1" x 1'-5" x 2'-2" ϕ 3/4" ϕ x 4" Studs automatically end welded. (Space to miss strands).

ϕ 1" I.D. formed hole with PVC pipe cast at right angles to web for permanent bracing, typ. Fabricator shall locate to miss strands within permissible tolerances. (See Framing Plan Sheet 21 of 36 for locations.)



ELEVATION OF BEAM
(Showing prestressing steel)



SECTION C-C

*****BAR LIST ONE BEAM ONLY**

Bar	No.	Size	Length	Shape
G ₁	155	#4	11'-11"	\cap L
G ₂	16	#4	10'-2"	\cap
G ₃	18	#6	34'-9"	—
G ₄	56	#3	4'-11"	\cap
G ₅	132	#5	3'-4"	—
G ₆	6	#8	6'-6"	U

***For information only

Notes:
See sheet 26 of 36 for additional details and Bill of Material.
Required release strength, f'_{ci} , shall be 6,000 psi.

**63" PPC BULB T-BEAM SPAN 3
STRUCTURE NO. 010-0287**

<p>Civil Engineers- Structural Engineers- Land Surveyors- Design Firm License No. 184-002703</p>	PROJECT NO. 06027-3 SCALE DATE 9/23/09 DESIGN BY DRAWN BY TFG CHECKED BY MCB	SHEET NO. 24 36 SHEETS	F.A.P. RTE. 326 SECTION (137BR)BR COUNTY CHAMPAIGN TOTAL SHEETS 75 SHEET NO. 44	CONTRACT NO. 70428 FED. ROAD DIST. NO. 7 ILLINOIS FED. AID PROJECT
--	---	-------------------------------	---	---