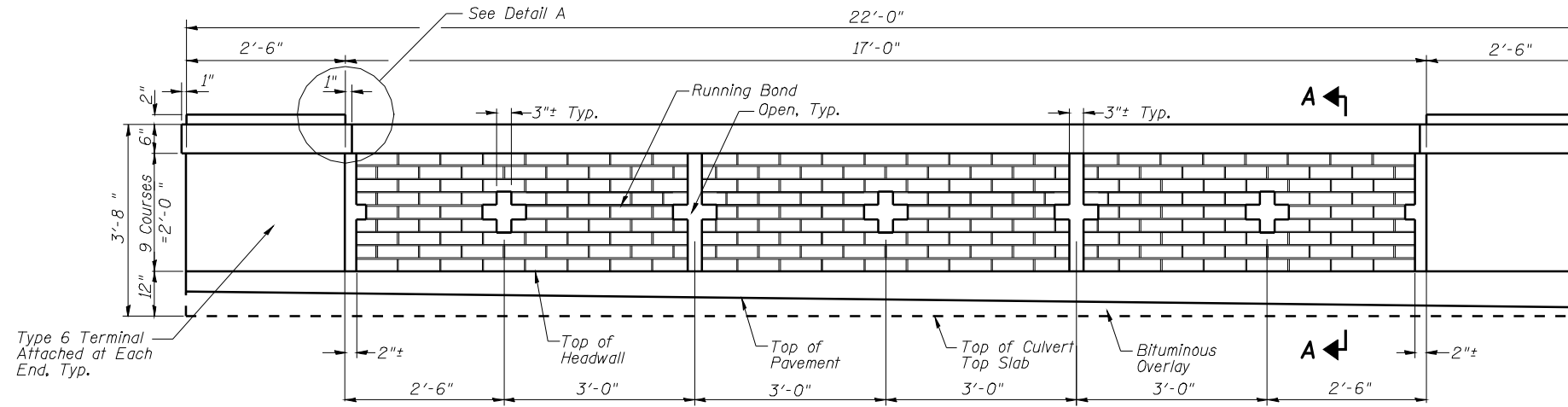


STATE OF ILLINOIS  
DEPARTMENT OF TRANSPORTATION

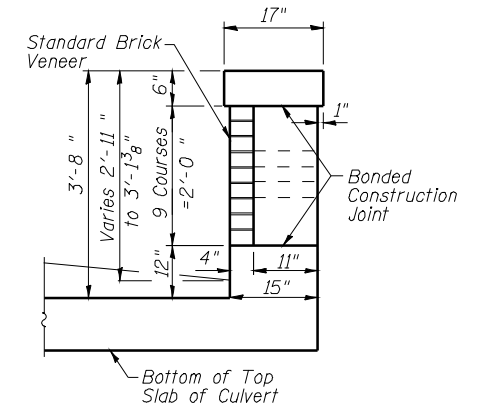
ROUTE NO.	SECTION	COUNTY	TOTAL SHEETS	SHEET NO.
SBI 4 OLD IL 4	YL-15D)B	Macoupin	21	15
FED. ROAD DIST. NO. 6	ILLINOIS	FED. AID PROJECT-		

SHEET NO. 3  
4 SHEETS

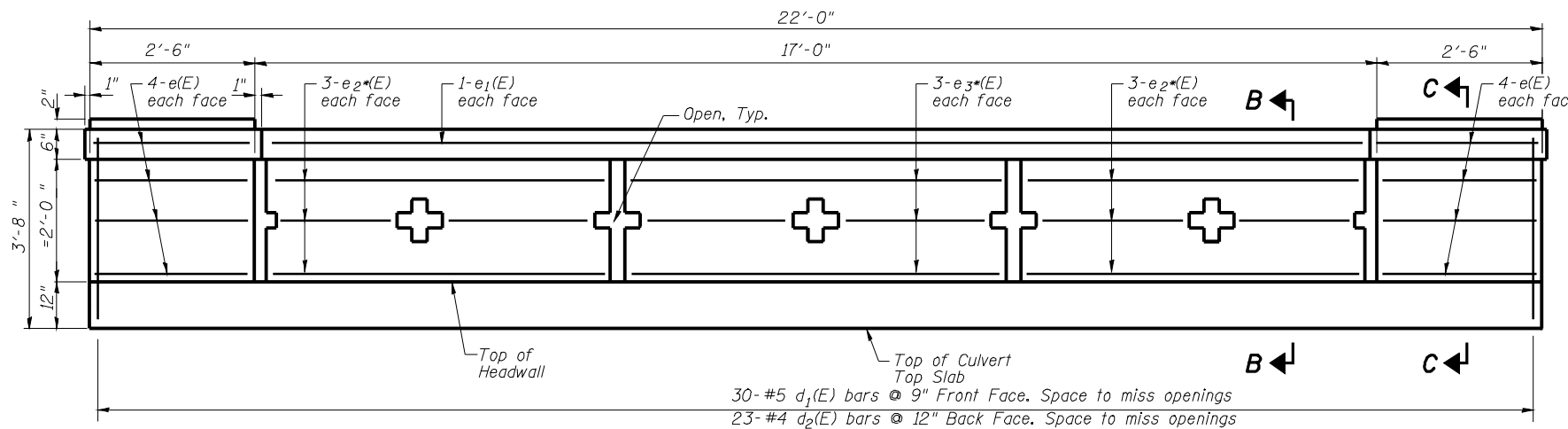
CONTRACT NO. 72291



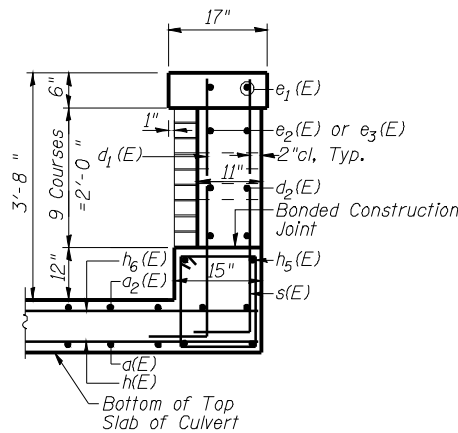
**ELEVATION - PARAPET - 2 REQ'D**  
Showing Brick



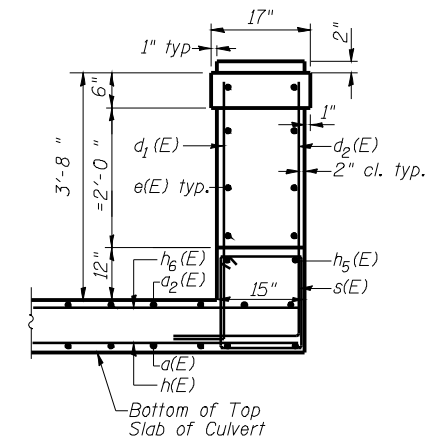
**SECTION A-A THRU PARAPET**  
Downstream as shown  
Upstream similar



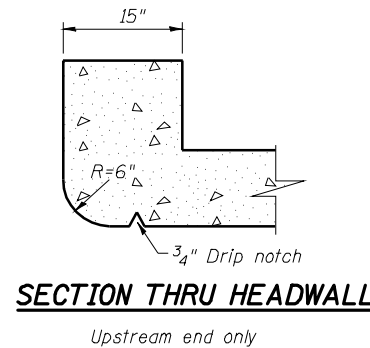
**ELEVATION - PARAPET**  
Showing Reinforcement



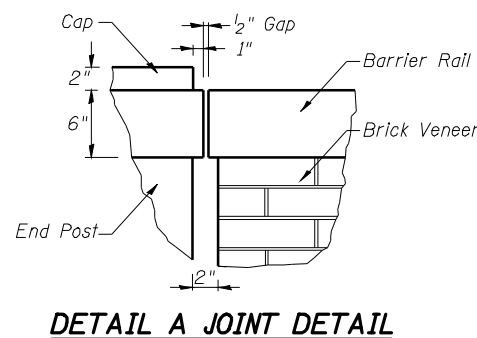
**SECTION B-B THRU PARAPET**  
Downstream as shown  
Upstream similar



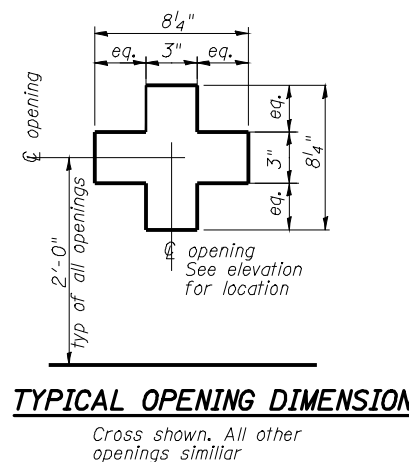
**SECTION C-C THRU PARAPET**  
Downstream as shown  
Upstream similar



**SECTION THRU HEADWALL**  
Upstream end only



**DETAIL A JOINT DETAIL**



**TYPICAL OPENING DIMENSION**  
Cross shown. All other openings similar

DESIGNED	J. BENNETT
CHECKED	M. HOOK
DRAWN	L. ROSE
CHECKED	J. BENNETT

**CULVERT DETAILS**  
OLD IL ROUTE 4 OVER  
SHEARLES BRANCH TRIBUTARY  
SBI ROUTE 4 - SECTION (L-15D)B  
MACOUPIN COUNTY  
STATION 1616+70  
STRUCTURE NO. 059-2502