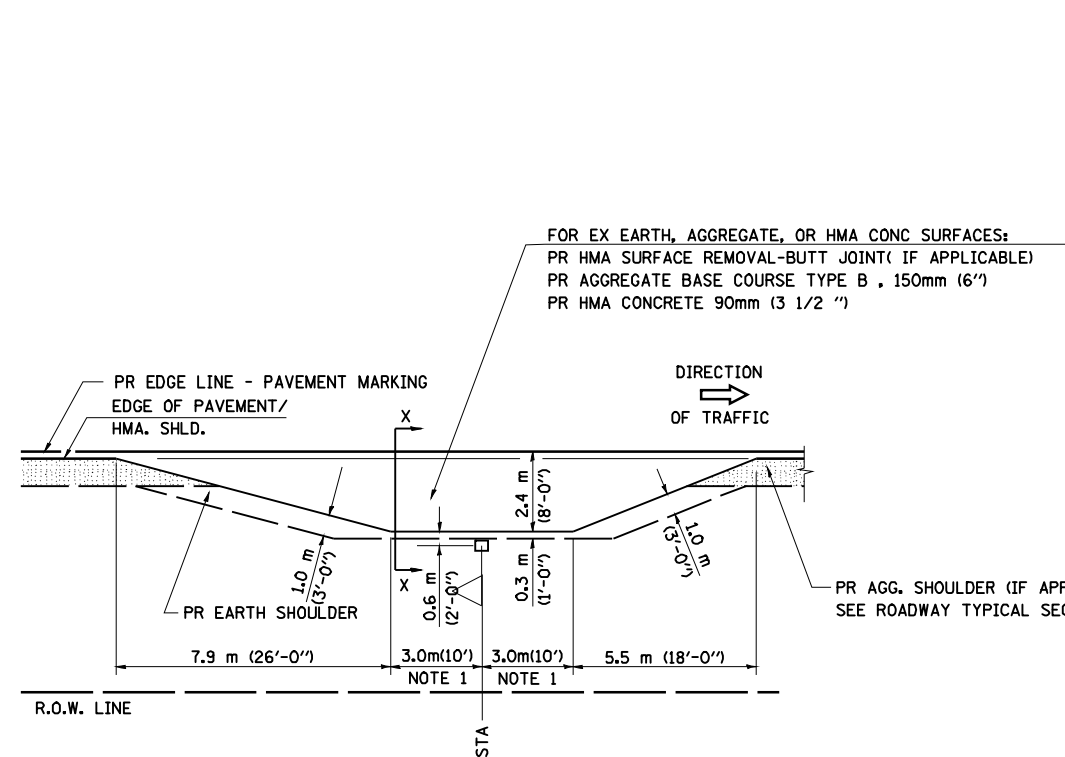
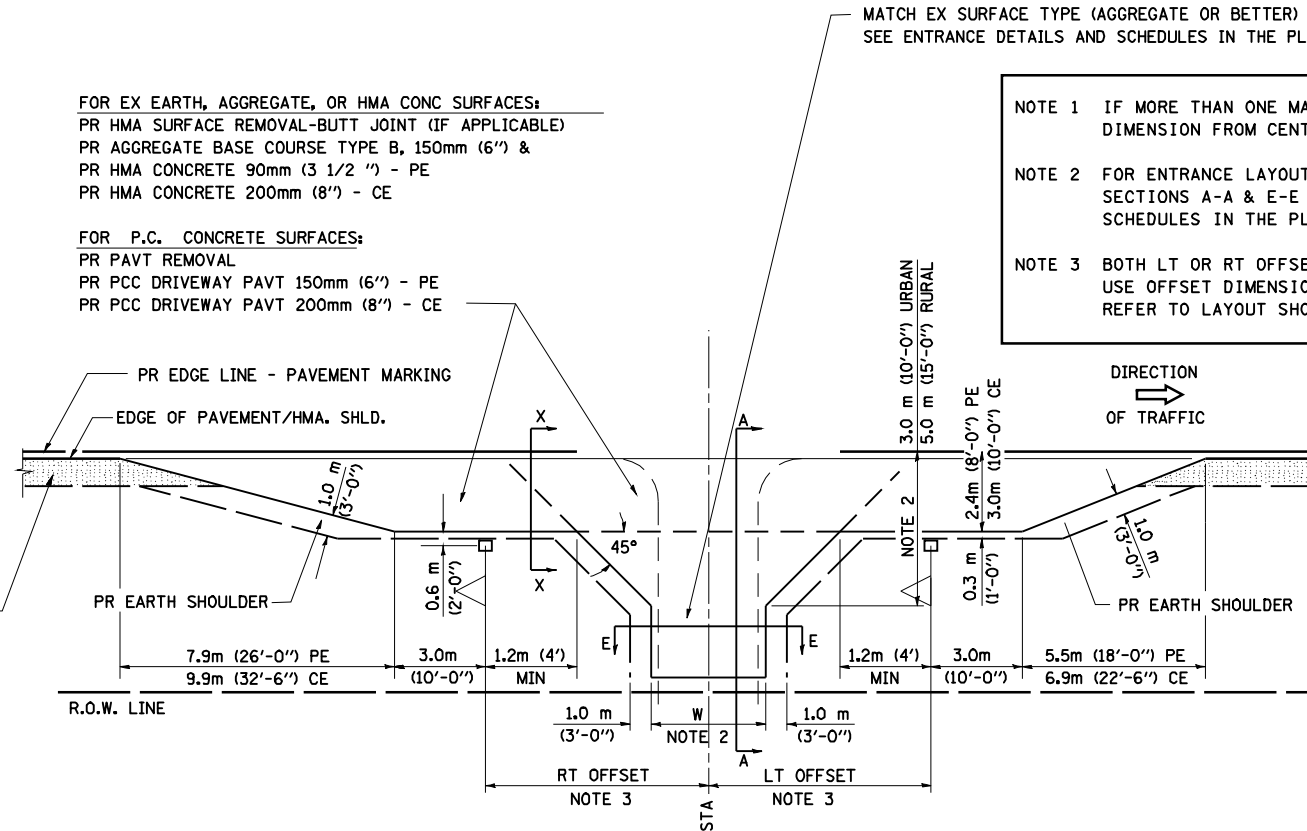


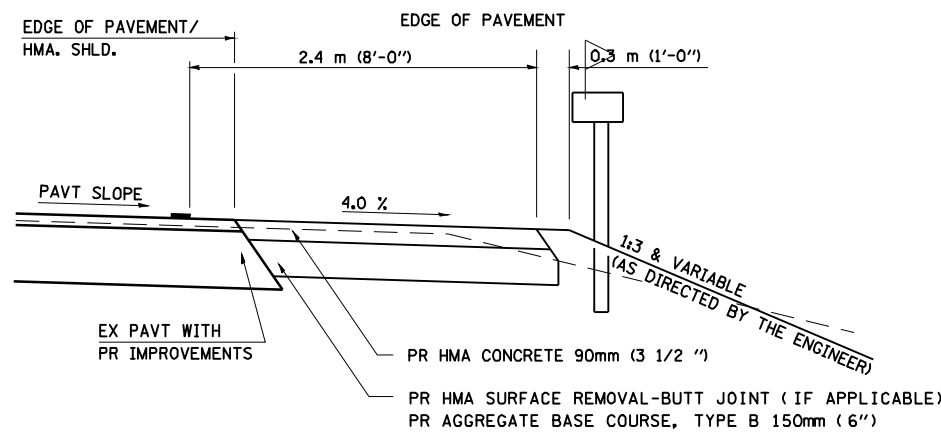
DETAILS OF MAILBOX TURNOUTS



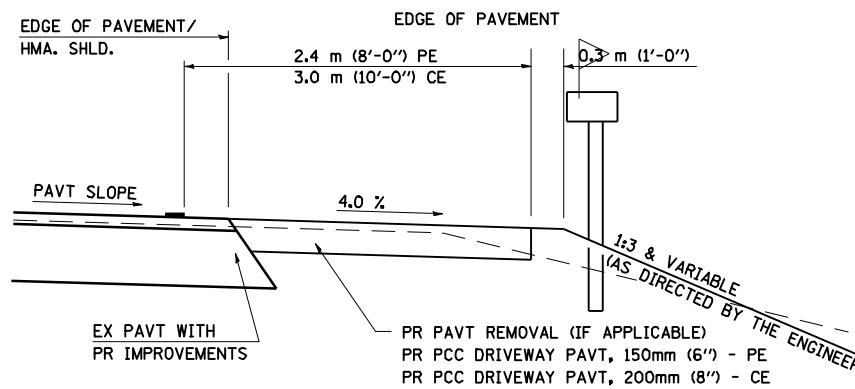
PLAN - MAILBOX TURNOUTS



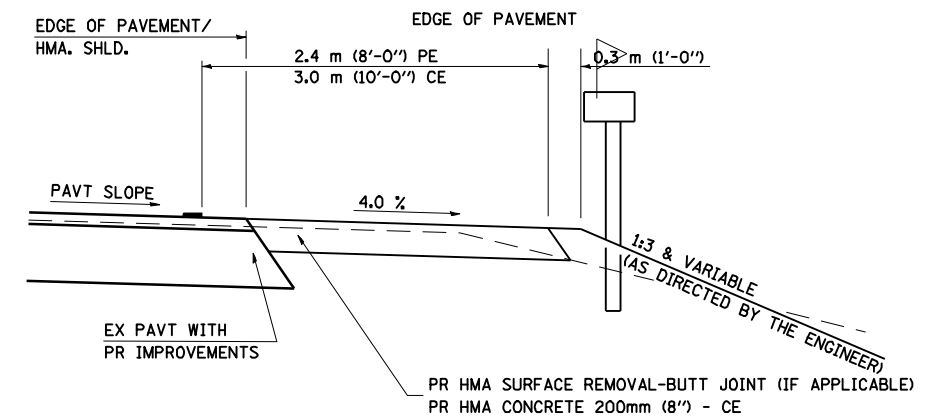
PLAN - COMBINED MAILBOX TURNOUT WITH TRAILING OR LEADING ENTRANCE



**SECTION X-X THRU MAILBOX TURNOUT
 ALSO APPLIES TO MAILBOX TURNOUTS COMBINED WITH
 EX EARTH, AGGREGATE, OR HMA PE & FE**



**SECTION X-X THRU MAILBOX TURNOUT
 COMBINED WITH EX CONC PE OR CE**



**SECTION X-X THRU MAILBOX TURNOUT
 COMBINED WITH EX EARTH, AGGREGATE, OR HMA CE**

FILE NAME =	USER NAME = #USER*	DESIGNED -	REVISED - 2/19/03
#FILE#		DRAWN -	REVISED - 4/01/04
	PLOT SCALE = #SCALE*	CHECKED -	REVISED - 8/01/07
	PLOT DATE = #DATE*	DATE -	REVISED -

**STATE OF ILLINOIS
 DEPARTMENT OF TRANSPORTATION**

**DISTRICT SIX DETAILS FOR RURAL / URBAN ENTRANCE
 & MAILBOX TURNOUT W / O CONCRETE GUTTER**

SCALE: SHEET NO. OF SHEETS STA. TO STA.

F.A.P. RTE.	SECTION	COUNTY	TOTAL SHEETS	SHEET NO.
325	114 (B-1)	MACOUPIN	57	31B
CONTRACT NO. 72646				
ILLINOIS FED. AID PROJECT				