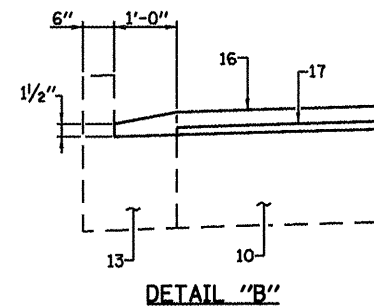


**PROPOSED TYPICAL SECTION #14**  
STA. 11+84 TO STA. 34+04

© MATCH EX PVMT CROSS SLOPE



**PAVEMENT LEGEND**

1. EX HMA RESURF., 3"
- 1A. EX HMA SURF, 1 1/2"
- 1B. EX HMA BINDER, 1 3/4"
- 1C. EX PCC PVMT (8-6-8)
2. EX HMA SURF., 3"
3. EX STONE BASE CSE., 7 1/2"
4. EX SUB-BASE GRAN. MATL.
5. EX HMA SHLD, 6" (TBR)
6. EX PCC PVMT, 8"
7. EX HMA WIDENING, 10"
8. EX GRAN. EMB. SPECIAL, VARIES
9. EX PCC PVMT W/ HMA WIDENING, 9"
10. EX PCC PVMT W/ PCC WIDENING, 9"
11. EX HMA SHOULDER 8"
12. EX CONCRETE GUTTER, TY A
13. EX CONCRETE C & G, TYPE B 6.12
- 13A. EX CONCRETE C & G, TYPE 3
14. PR HMA SURF. REM., VAR. DEPTH (1/2" AT ©)
- 14A. PR HMA SURF REM, 1 1/2"
15. PR HMA SURF. REM., 2 1/4"
16. PR HMA SURF, CSE., 1 1/2"
17. PR LEVELING BINDER (MM), 3/4" MIN.
18. PR HMA BASE CSE./WIDENING, 10"
19. PR HMA BASE CSE./WIDENING, 12"
20. PR HMA SHLD, 8"
21. PR HMA SHLD, 2 1/4" & VAR.
22. PR AGG SHLD, TYPE B
23. PR HMA BINDER CSE., 2 1/4" (MIN.)
24. PR SUB-BASE GRAN. MATL., TY A, VAR DEPTH
25. PR EARTH EXC./EMB.
26. PR GRADING & SHAPING SHLD.
27. PR PVMT MARKING, LINE 5"
28. PR TEMP GUARDRAIL
29. PR SHLD RUMBLE STRIPS

FILE NAME =	USER NAME = mcdonnavj	DESIGNED -	REVISED -
S:\PROJ ENGR 1 (Negengard)\Dust Squad\FA	662 (IL 4) Henderson.pdf\CADD Sheets\0677	DRAWN up1001a.dgn	REVISED -
PLOT SCALE = 6.0000' / 1/4"	DATE -	CHECKED -	REVISED -
PLOT DATE = Aug-17-2009 04:05:12PM	DATE -	CHECKED -	REVISED -

DESIGNED -	REVISED -
DRAWN up1001a.dgn	REVISED -
CHECKED -	REVISED -
DATE -	REVISED -

**Allen Henderson & Associates, Inc.**  
Civil and Structural Engineers Springfield, IL,  
62703 Phone: (217)544-8033 IL Design Firm  
No. 184-001907

<b>TYPICAL ROADWAY SECTIONS</b>	
SCALE: NONE	SHEET NO. 7 OF 7 SHEETS
STA.	TO STA.

F.A.P. RTE.	SECTION	COUNTY	TOTAL SHEETS	SHEET NO.
662	DW-3,RS-11,CR	MACOUPIN	102	16
CONTRACT NO. 72765				
FED. ROAD DIST. NO. ILLINOIS FED. AID PROJECT				