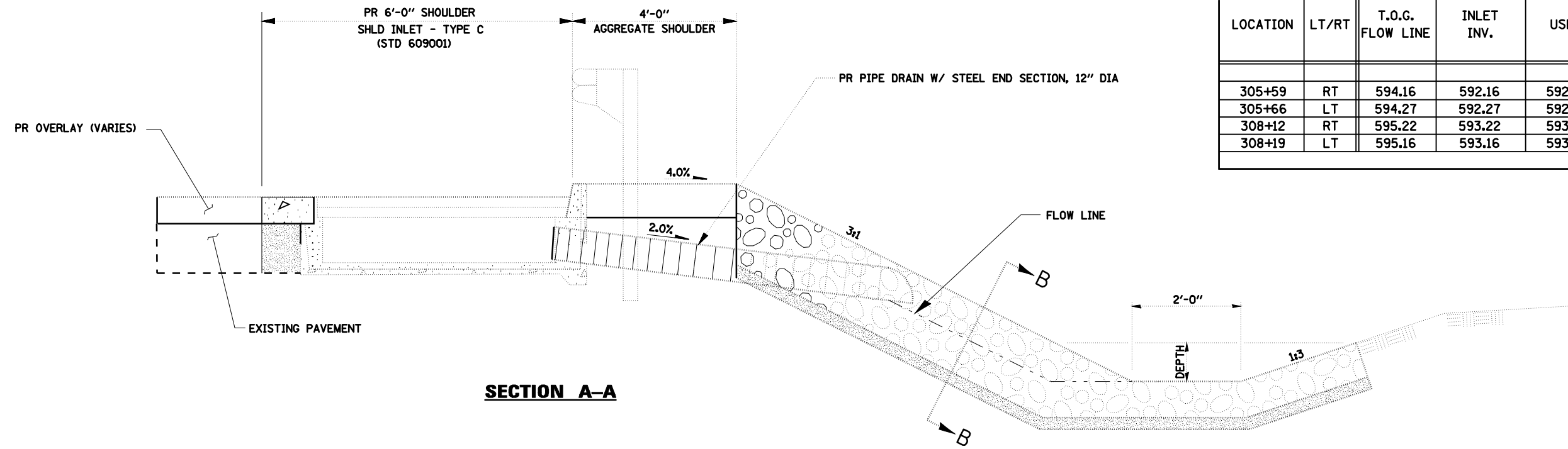
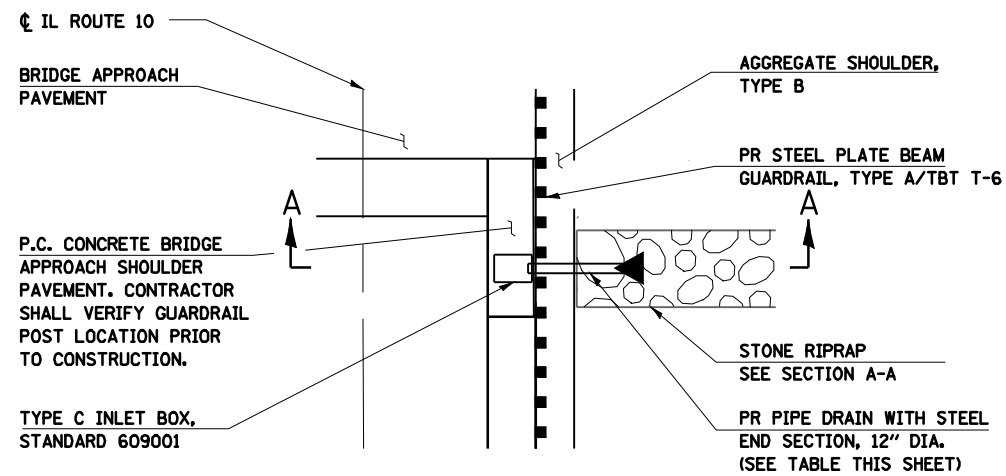


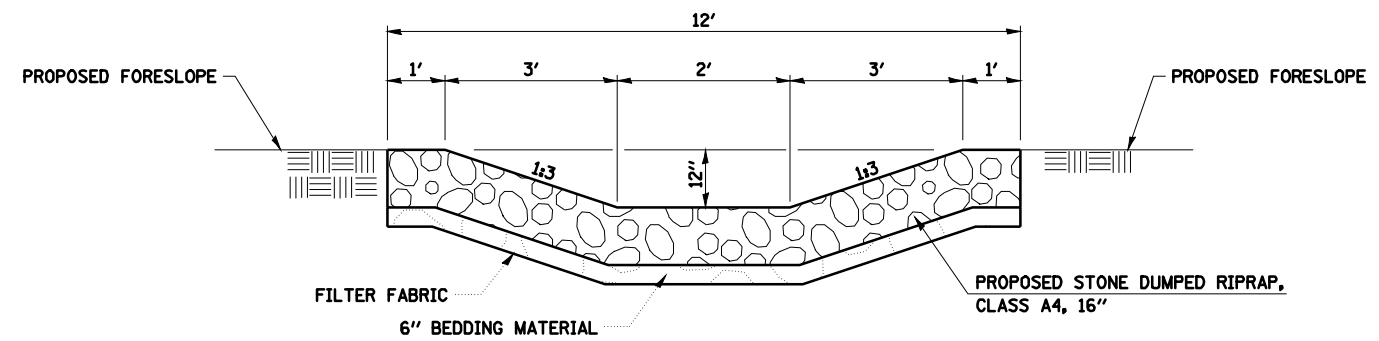
BRIDGE APPROACH SHOULDER DRAINS					
LOCATION	LT/RT	T.O.G. FLOW LINE	INLET INV.	USPC	DSFL
305+59	RT	594.16	592.16	592.23	592.03
305+66	LT	594.27	592.27	592.34	592.14
308+12	RT	595.22	593.22	593.29	593.29
308+19	LT	595.16	593.16	593.23	593.03



SECTION A-A



PLAN



SECTION B-B

NOTE:
SEE STD 609001 FOR BRIDGE APPROACH SHOULDER DRAIN DETAILS IN ADDITION TO DETAILS ON THIS SHEET.

8006DET04.DGN	USER NAME:	DESIGNED -	REVISED -
		DRAWN -	REVISED -
	PLOT SCALE:	CHECKED -	REVISED -
	PLOT DATE:	DATE -	REVISED -

STATE OF ILLINOIS
DEPARTMENT OF TRANSPORTATION

BRIDGE APPROACH SHOULDER PAVEMENT DRAIN DETAIL		F.A.P. RTE.	SECTION	COUNTY	TOTAL SHEETS	SHEET NO.
SCALE:	SHEET NO. OF SHEETS	STA. TO STA.	717	I09B-3	LOGAN	73 27
			CONTRACT NO. 72A88			
		FED. ROAD DIST. NO.	ILLINOIS	FED. AID PROJECT		