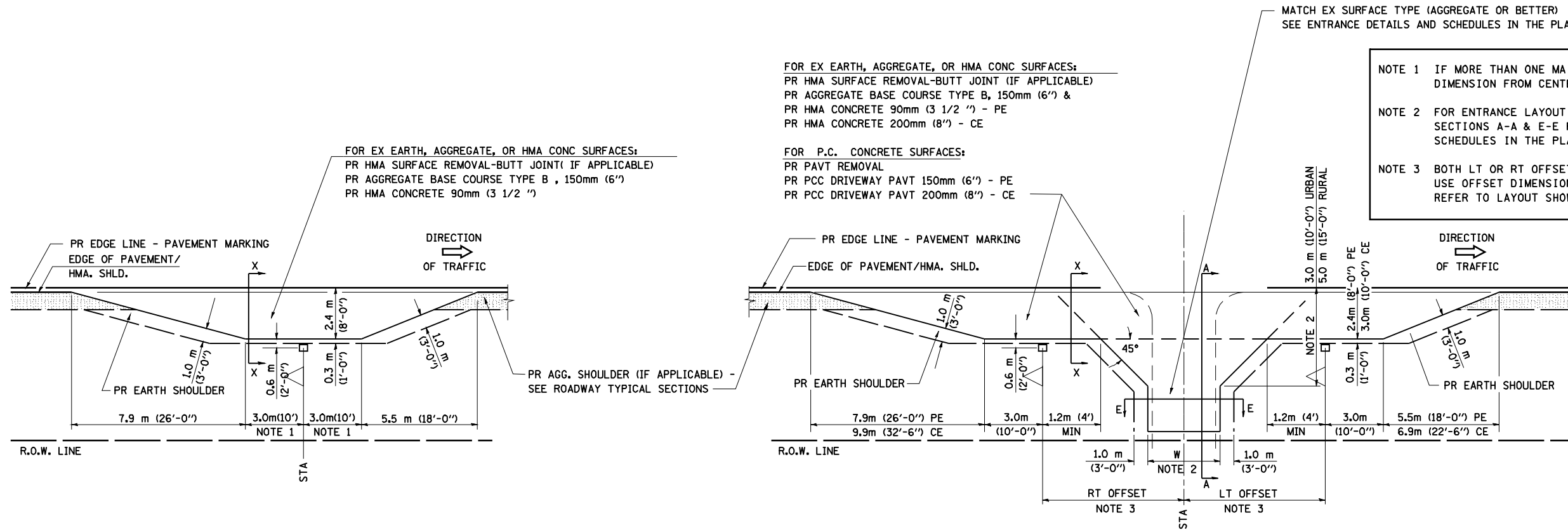
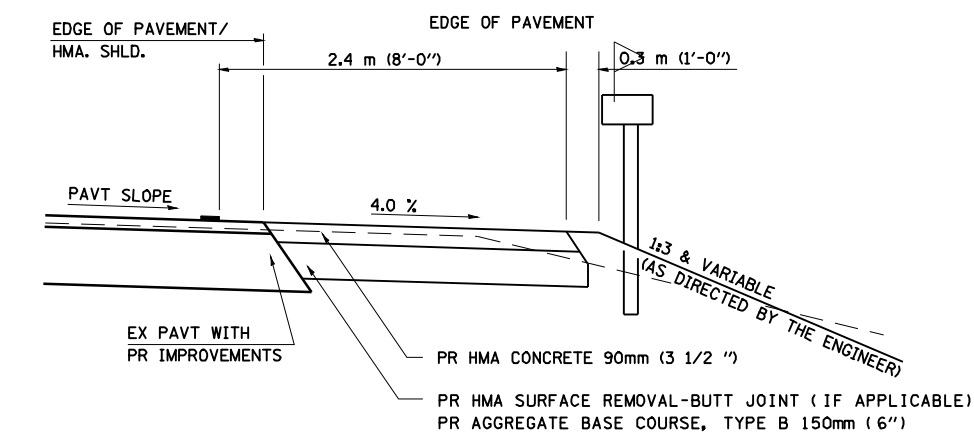


DETAILS OF MAILBOX TURNOUTS

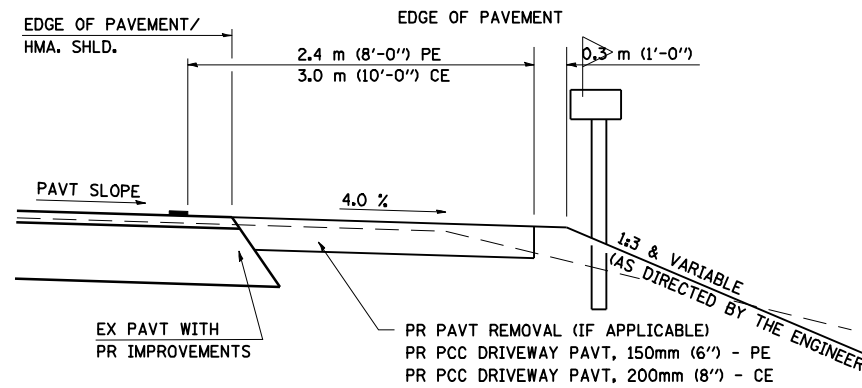


PLAN - MAILBOX TURNOUTS

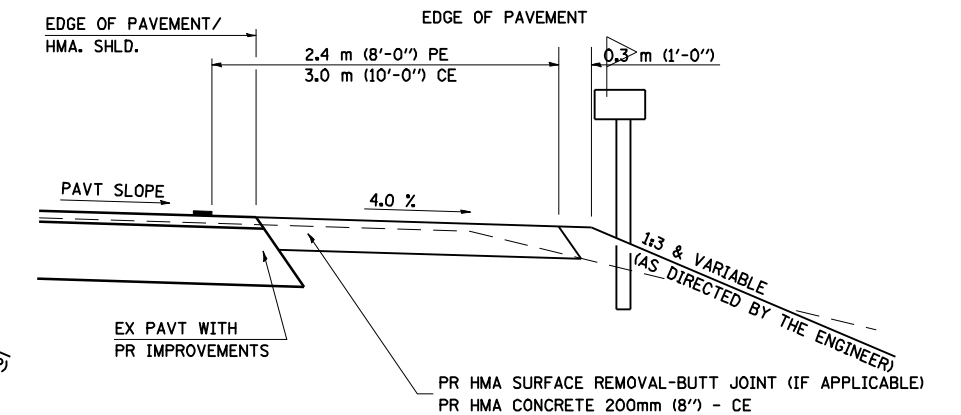
PLAN - COMBINED MAILBOX TURNOUT WITH TRAILING OR LEADING ENTRANCE



SECTION X-X THRU MAILBOX TURNOUT ALSO APPLIES TO MAILBOX TURNOUTS COMBINED WITH EX EARTH, AGGREGATE, OR HMA PE & FE



SECTION X-X THRU MAILBOX TURNOUT COMBINED WITH EX CONC PE OR CE



SECTION X-X THRU MAILBOX TURNOUT COMBINED WITH EX EARTH, AGGREGATE, OR HMA CE

3RMRURAL.DGN	USER NAME:	DESIGNED -	REVISED -	STATE OF ILLINOIS DEPARTMENT OF TRANSPORTATION	DETAILS FOR RURAL ENTRANCE & MAILBOX TURNOUT		F.A.P. RTE.	SECTION	COUNTY	TOTAL SHEETS	SHEET NO.
	PLOT SCALE:	DRAWN -	REVISED -				717	109B-3	LOGAN	73	29
	PLOT DATE:	CHECKED -	REVISED -		CONTRACT NO. 72A88						
		DATE -	REVISED -		SCALE:	SHEET NO. 2 OF 3 SHEETS	STA. TO STA.	FED. ROAD DIST. NO.	ILLINOIS	FED. AID PROJECT	