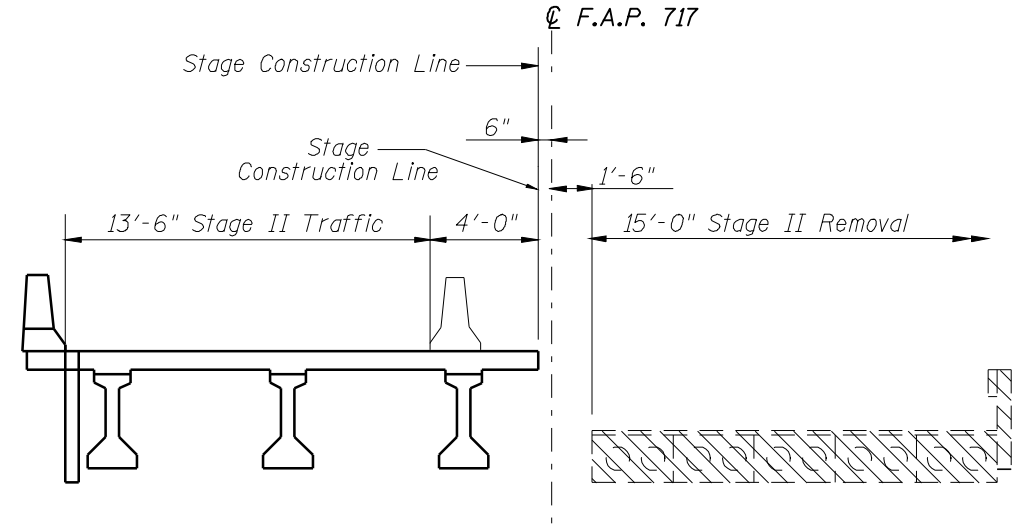


Removal of Existing Steel Bridge Rail is included in Removal of Existing Structures, typ.

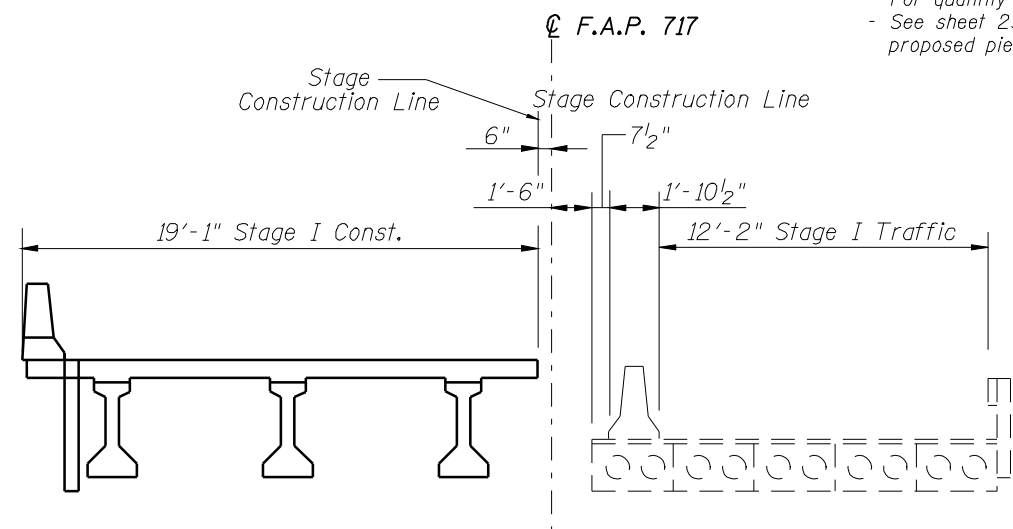
STAGE I REMOVAL

NOTES:

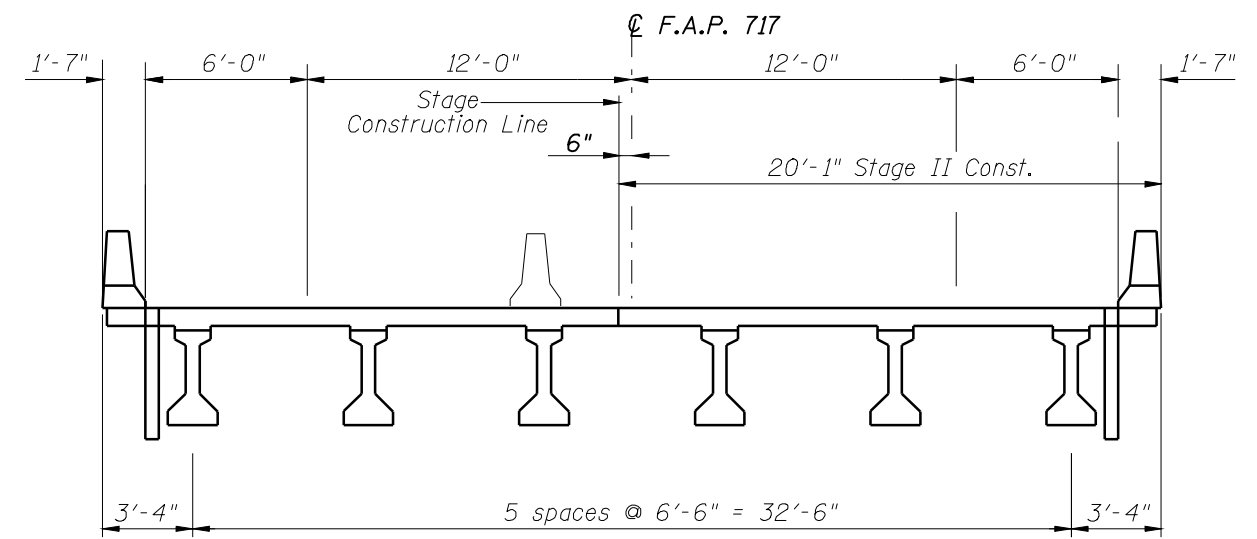
- All cross sections are looking east.
- See sheet 4 of 27 for Temporary Concrete Barrier Details.
- Hatched area indicates removal of existing structures.
- For quantity of Temporary Concrete Barrier, see roadway plans.
- See sheet 23 of 27 for location of stage construction line for proposed pier location.



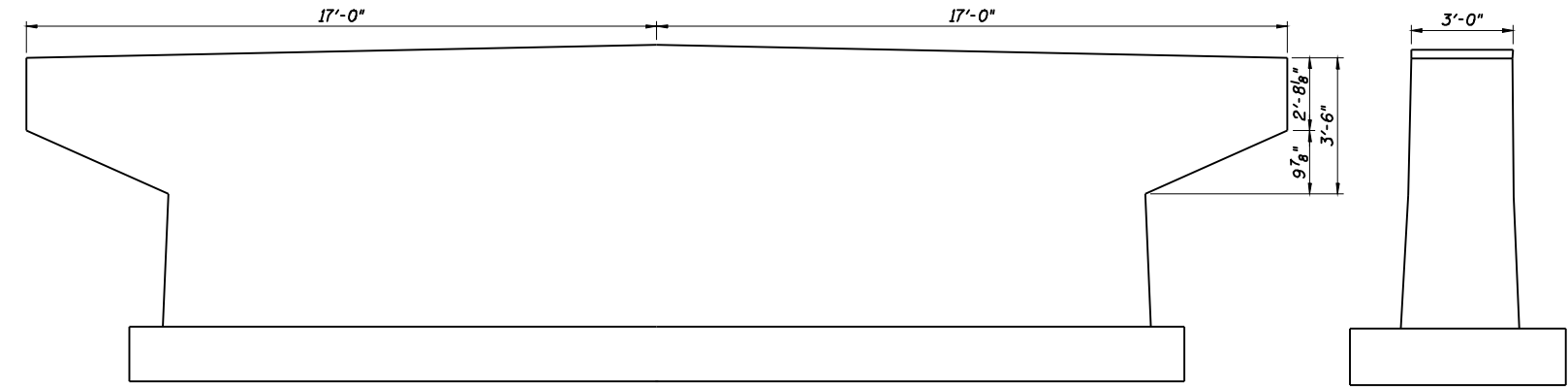
STAGE II REMOVAL



STAGE I CONSTRUCTION



STAGE II CONSTRUCTION



ELEVATION

END VIEW

EXISTING PIER

NOTES:

- The Contractor shall provide Temporary Shoring of the Existing Pier. See Special Provisions.
- Dimensions taken from existing plans. Field Verify all dimensions prior to start of construction/shoring

**STAGE CONSTRUCTION DETAILS
STRUCTURE NO. 054-0514**

USER NAME: PLOT SCALE: PLOT DATE:	DESIGNED - RTM	REVISED -	STATE OF ILLINOIS DEPARTMENT OF TRANSPORTATION	STAGE CONSTRUCTION DETAILS			F.A.P. RTE.	SECTION	COUNTY	TOTAL SHEETS	SHEET NO.
	DRAWN - MSD	REVISED -					717	109B-3	LOGAN	73	38
	CHECKED - KEB	REVISED -		SCALE: SHEET NO. 3 OF 27 SHEETS STA. TO STA.			CONTRACT NO. 72A88				
	DATE -	REVISED -		FED. ROAD DIST. NO.			ILLINOIS	FED. AID PROJECT			