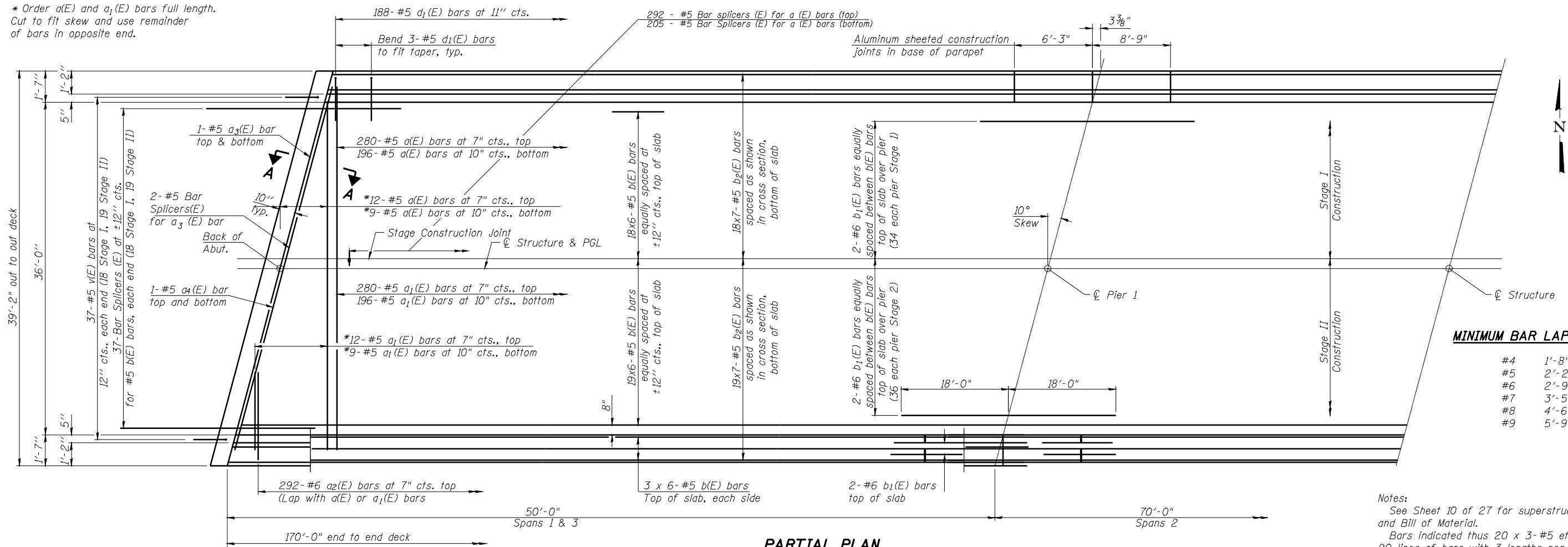
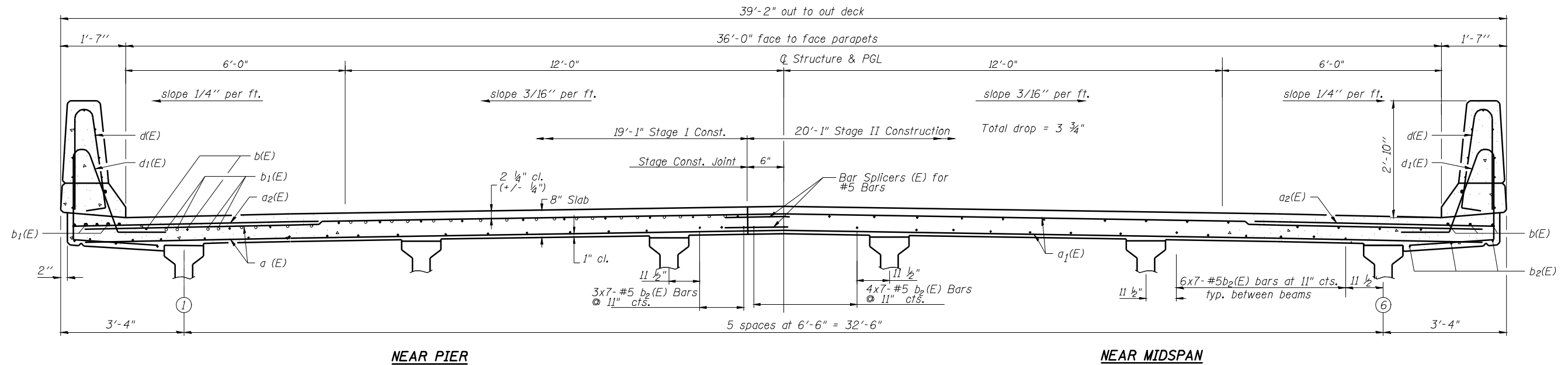


\* Order a(E) and a<sub>1</sub>(E) bars full length.  
Cut to fit skew and use remainder  
of bars in opposite end.



Notes:  
See Sheet 10 of 27 for superstructure details  
and Bill of Material.  
Bars indicated thus 20 x 3-#5 etc. indicates  
20 lines of bars with 3 lengths per line.  
See Sheet 10 of 27 for parapet reinforcement.



**CROSS SECTION**  
(Looking East)

**SUPERSTRUCTURE  
STRUCTURE NO. 054-0514**

USER NAME:	DESIGNED - RTM	REVISED -
	DRAWN - MSD	REVISED -
PLOT SCALE:	CHECKED - KEB	REVISED -
PLOT DATE:	DATE -	REVISED -

**STATE OF ILLINOIS  
DEPARTMENT OF TRANSPORTATION**

**SUPERSTRUCTURE**

F.A.P. RTE.	SECTION	COUNTY	TOTAL SHEETS	SHEET NO.
717	I09B-3	LOGAN	73	44
CONTRACT NO. 72A88				
FED. ROAD DIST. NO.	ILLINOIS	FED. AID PROJECT		

SCALE: SHEET NO. 9 OF 27 SHEETS STA. TO STA.