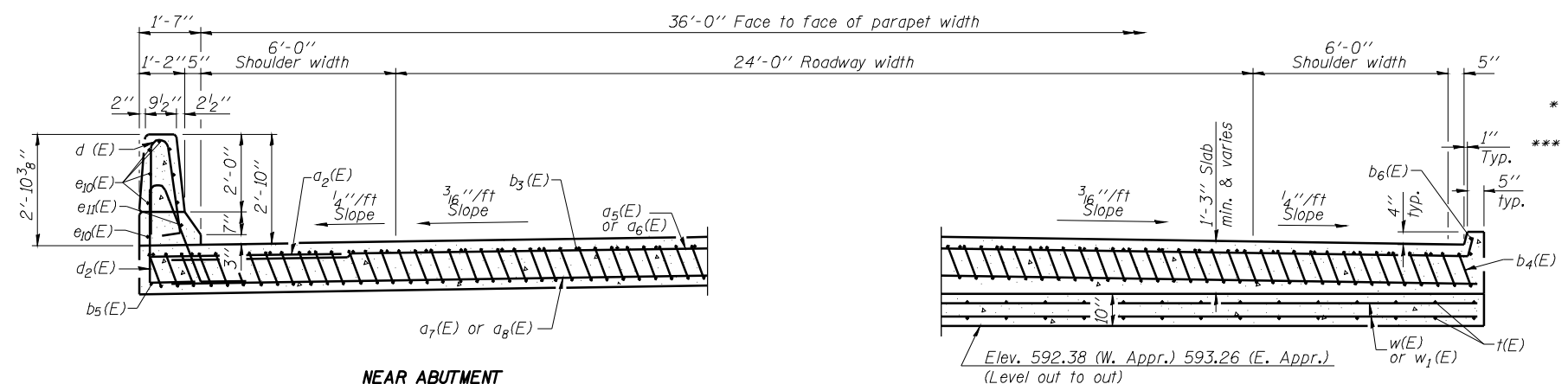
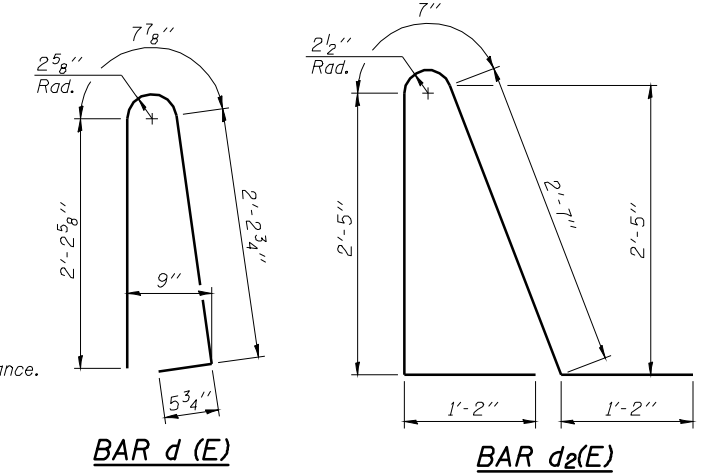


Notes:
 See sheet 11 of 27 for Detail A and View B-B.
 Approach slab and parapet concrete shall be paid for as Concrete Superstructure.
 Approach footing concrete shall be paid for as Concrete Structures.
 Reinforcement shall be paid for as Reinforcement Bars, Epoxy Coated.
 For v(E) bar details, see sheet 10 of 27.
 The approach footing maximum applied service bearing pressure (Qmax) = 2.0 ksf.
 For bar splicer details, see sheet 24 of 27.
 Cost of excavation for approach footing included with Concrete Structures.
 For Porous Granular Embankment (Special) and drainage treatment details, see sheet 2 of 27.

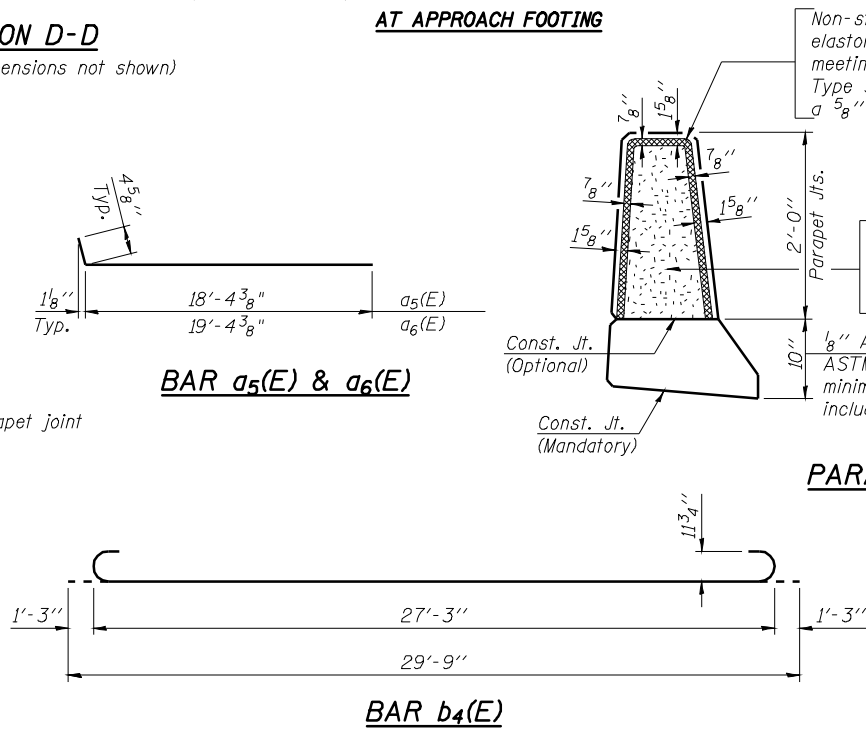
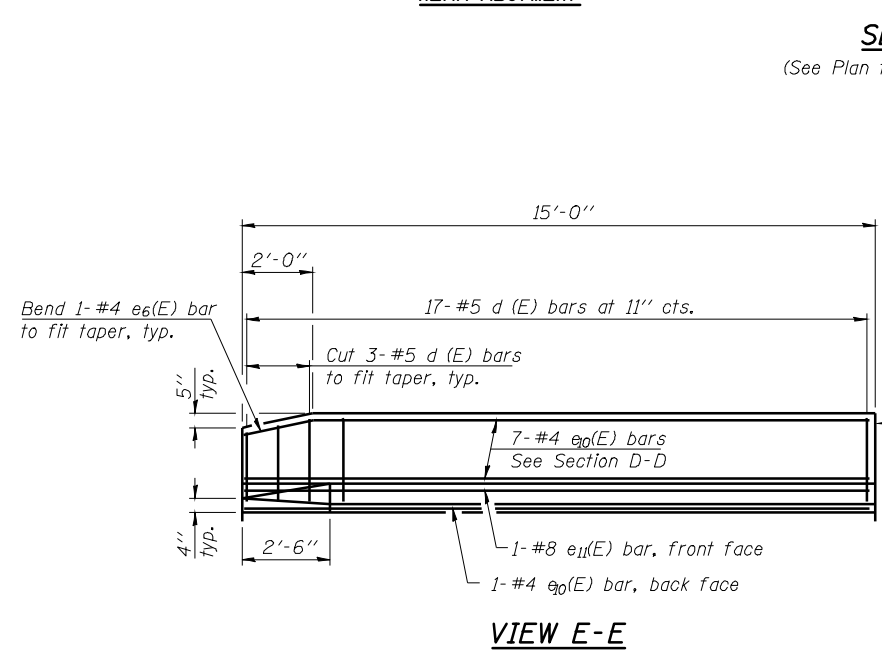
Note:
 Approach footing shall be constructed on undisturbed existing pavement. Cost included with Concrete Structures.



* Tilt #9 b4(E) bars as required to maintain clearance.
 *** Cost included with Concrete Superstructure.

**TWO APPROACHES
 BILL OF MATERIAL**

Bar	No.	Size	Length	Shape
a2(E)	48	#6	6'-0"	—
a5(E)	50	#4	18'-9"	—
a6(E)	50	#4	19'-9"	—
a7(E)	92	#5	18'-4"	—
a8(E)	92	#5	19'-4"	—
b3(E)	78	#4	29'-8"	—
b4(E)	184	#9	29'-9"	—
b5(E)	4	#4	14'-8"	—
b6(E)	4	#4	14'-4"	—
d(E)	68	#5	5'-7"	U
d2(E)	68	#5	7'-11"	U
e10(E)	32	#4	14'-8"	—
e11(E)	4	#8	14'-8"	—
t(E)	156	#4	9'-9"	—
w(E)	80	#5	18'-4"	—
w1(E)	80	#5	19'-4"	—
Concrete Superstructure		Cu. Yd.	120.1	
Concrete Structures		Cu. Yd.	23.8	
Reinforcement Bars, Epoxy Coated		Pound	31,150	



Non-staining gray one component non-sag elastomeric gun grade polyurethane sealant meeting the requirements of ASTM C-920, Type S, Grade NS, Class 25. Use T with a 5/8" backer rod.
 5/8" ϕ Backer Rod
 1/2" Preformed Self-Expanding Cork Joint Filler according to Article 1051.07 of the Std. Spec. Cost included with Concrete Superstructure.
 1/8" Aluminum sheet ASTM B 209 alloy 3003-H14 coated to minimize reaction with wet concrete. Cost included with Concrete Superstructure.

PARAPET JOINT DETAILS

**BRIDGE APPROACH SLAB DETAILS
 STRUCTURE NO. 054-0514**

USER NAME:	DESIGNED - RTM	REVISED -	STATE OF ILLINOIS DEPARTMENT OF TRANSPORTATION		BRIDGE APPROACH SLAB DETAILS SHEET 2 OF 2			F.A.P. RTE.	SECTION	COUNTY	TOTAL SHEETS	SHEET NO.
PLOT SCALE:	DRAWN - MSD	REVISED -						717	109B-3	LOGAN	73	47
PLOT DATE:	CHECKED - KEB	REVISED -	SCALE: SHEET NO. 12 OF 27 SHEETS STA. TO STA.					CONTRACT NO. 72A88		FED. ROAD DIST. NO. ILLINOIS FED. AID PROJECT		
	DATE -	REVISED -	SODEMANN AND ASSOCIATES, INC.									