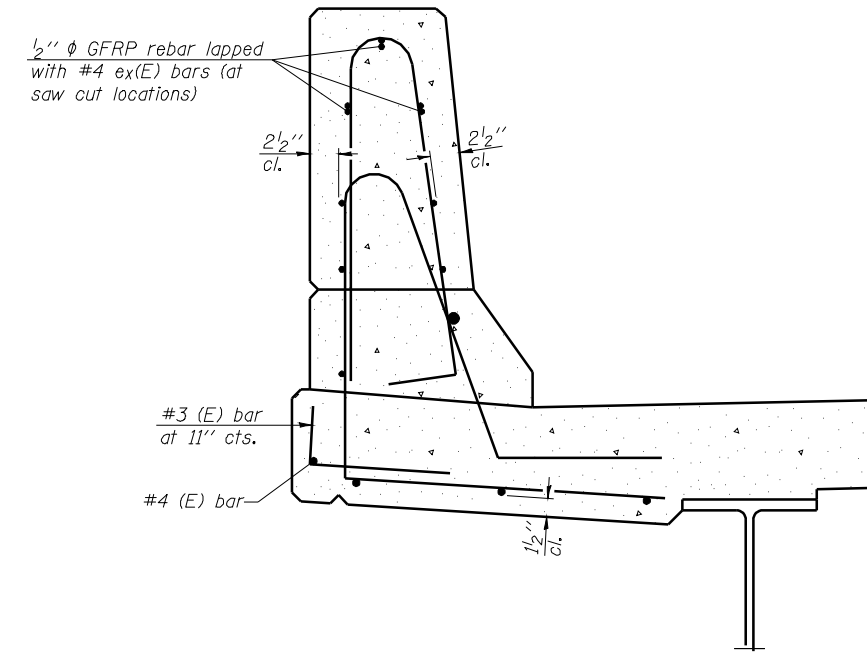
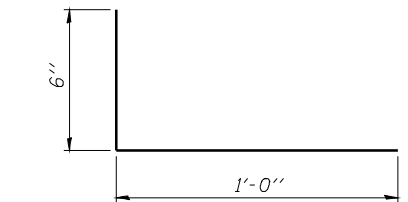


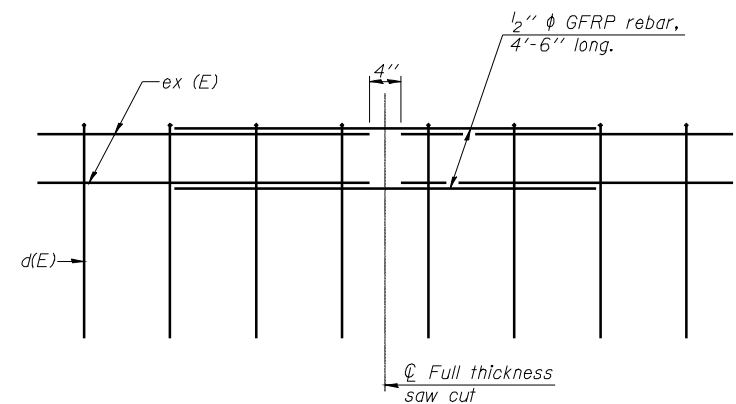
SECTION
(Showing dimensions)



SECTION
(Showing reinforcement clearances for slip forming and additional reinforcement bars)



#3 (E) BAR



GFRP REBAR STIFFENING DETAIL
(Place as shown in parapet section at each parapet joint location.)

CONCRETE PARAPET SLIPFORMING OPTION
STRUCTURE NO. 054-0514

USER NAME: PLOT SCALE: PLOT DATE:	DESIGNED - RTM	REVISED -	STATE OF ILLINOIS DEPARTMENT OF TRANSPORTATION	CONCRETE PARAPET SLIPFORMING OPTION			F.A.P. RTE.	SECTION	COUNTY	TOTAL SHEETS	SHEET NO.
	DRAWN - MSD	REVISED -					717	109B-3	LOGAN	73	48
	CHECKED - KEB	REVISED -		SCALE: SHEET NO. 13 OF 27 SHEETS STA. TO STA.			CONTRACT NO. 72A88				
	DATE -	REVISED -					FED. ROAD DIST. NO.	ILLINOIS	FED. AID PROJECT		