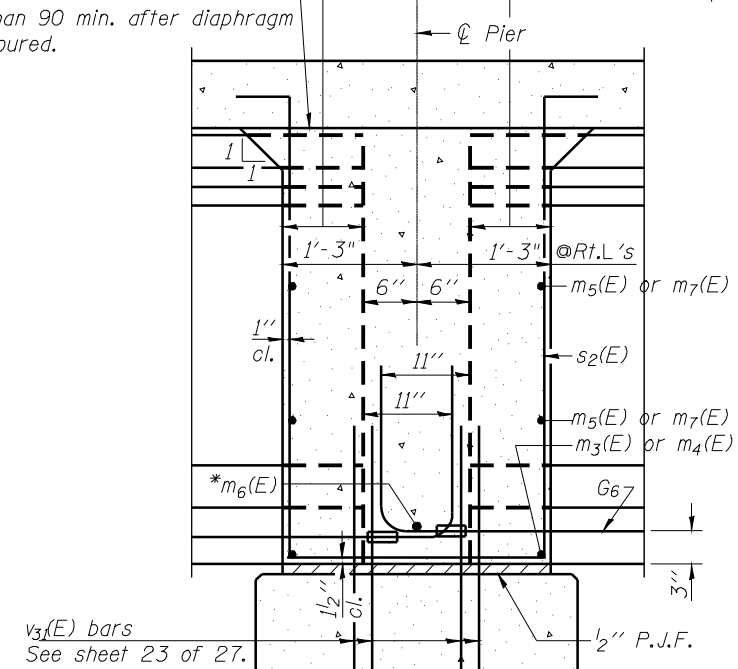


**SECTION A-A**

Dimensions at right angles to abutment, except as shown.

Pour diaphragm flush with bott. of slab. Concrete in slab above this line shall be placed not less than 45 min. nor more than 90 min. after diaphragm has been poured.

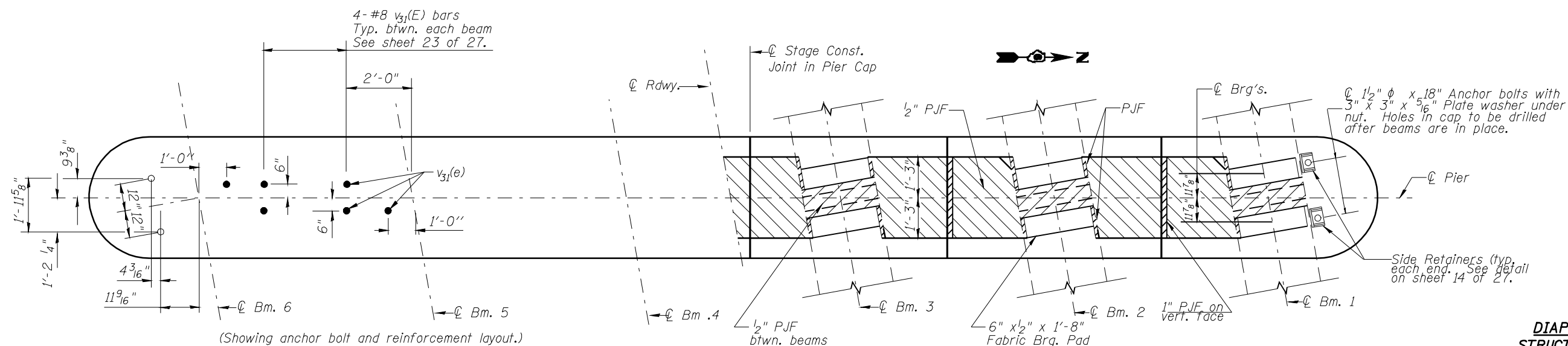
Roofing felt shall be bonded to side of beam embedded into diaphragm.



**SECTION B-B**

Dimensions along centerline of beam, except as shown.

\* Tightly fasten the #8 bars together with No. 9 wire ties.



**PLAN AT PIER**

(Showing bearing pad and P.J.F. details.)

**DIAPHRAGM DETAILS  
STRUCTURE NO. 054-0514**

USER NAME: PLOT SCALE: PLOT DATE:	DESIGNED - RTM	REVISED -	<b>STATE OF ILLINOIS DEPARTMENT OF TRANSPORTATION</b>		<b>DIAPHRAGM DETAILS SHEET 2 OF 2</b>			F.A.P. RTE.	SECTION	COUNTY	TOTAL SHEETS	SHEET NO.
	DRAWN - MSD	REVISED -						717	109B-3	LOGAN	73	50
	CHECKED - KEB	REVISED -						CONTRACT NO. 72A88				
	DATE -	REVISED -						FED. ROAD DIST. NO.	ILLINOIS	FED. AID PROJECT		
SCALE: SHEET NO. 15 OF 27 SHEETS STA. TO STA.												