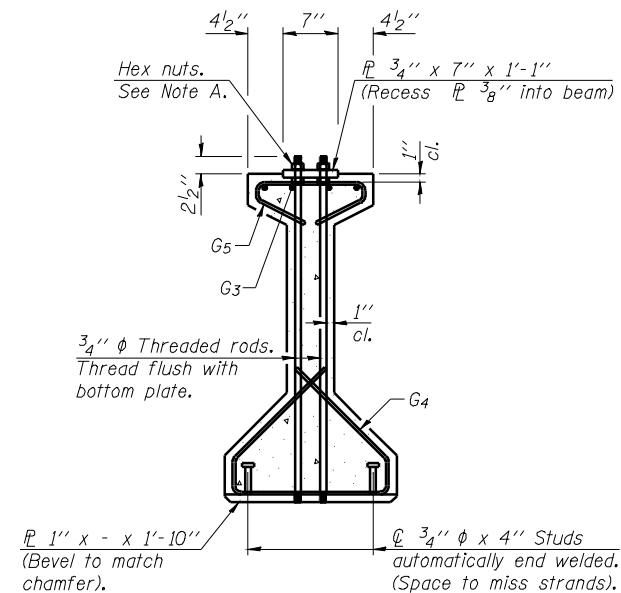


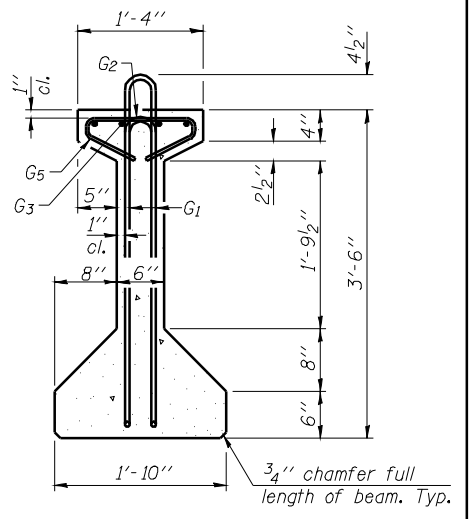
**ELEVATION OF BEAM**  
(Showing reinforcement & dimensions)

\*3 spaces at 3" = 9"  
 \*\*4-3/4" φ threaded dowel rods at 3' cts., Each Face.  
 \*\*\* see details on sheet 16 of 27 for number and location of holes.

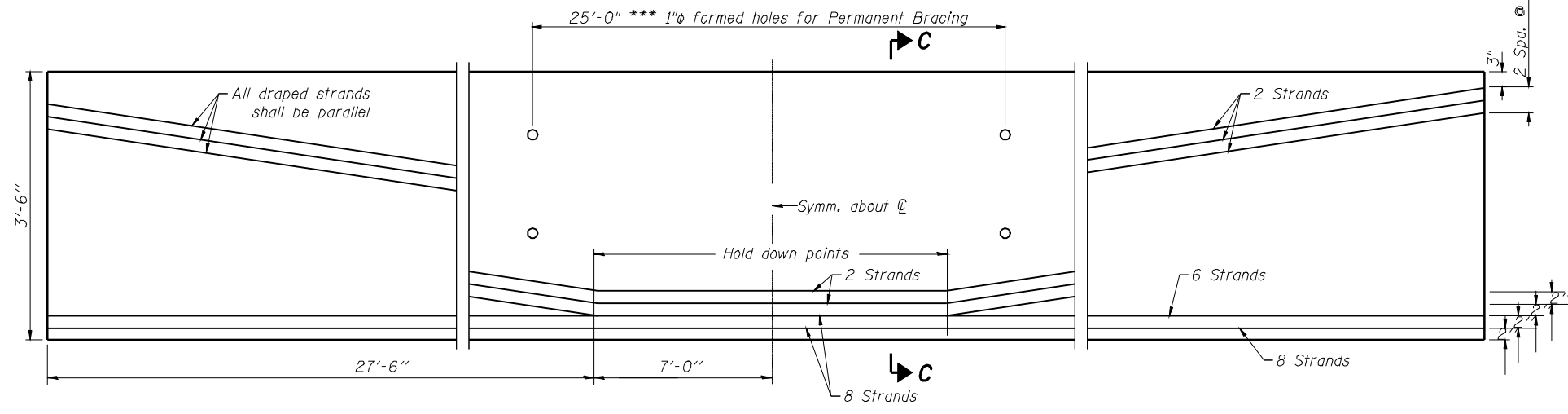
Note A:  
 Hex nuts (top and bottom) with lock washers (top). Only tighten sufficiently to compress lock washers.



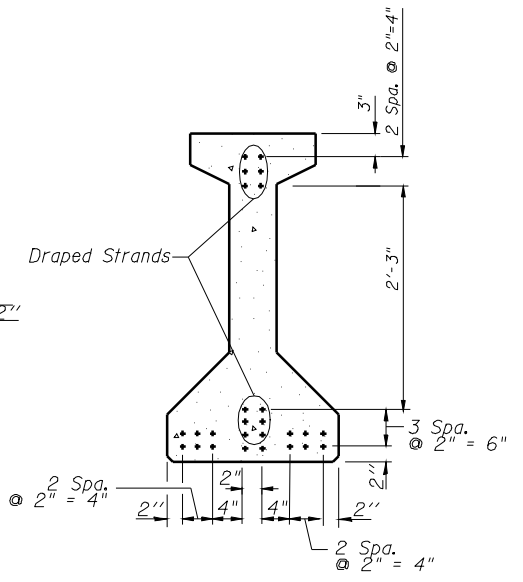
**SECTION A-A**



**SECTION B-B**



**ELEVATION OF BEAM**  
(Showing prestressing steel)



**SECTION C-C**

**\*\*\*BAR LIST  
ONE BEAM ONLY**

Bar	No.	Size	Length	Shape
G <sub>1</sub>	117	#4	8'-5"	⊏
G <sub>2</sub>	10	#4	6'-8"	⊏
G <sub>3</sub>	8	#6	35'-9"	⊏
G <sub>4</sub>	38	#3	4'-11"	⊏
G <sub>5</sub>	69	#3	2'-6"	⊏
G <sub>6</sub>	4	#8	6'-6"	⊏

\*\*\*For information only

Notes:  
 See sheet 20 of 27 for additional details and Bill of Material.  
 Required release strength, f'ci, shall be 5000 psi.

**SPAN 2  
42" PPC I-BEAM  
STRUCTURE NO. 054-0514**

USER NAME:	DESIGNED - RTM	REVISED -	<b>STATE OF ILLINOIS DEPARTMENT OF TRANSPORTATION</b>	<b>SPAN 2 42" PPC I-BEAM</b>		F.A.P. RTE.	SECTION	COUNTY	TOTAL SHEETS	SHEET NO.
PLOT SCALE:	DRAWN - MSD	REVISED -		717	I09B-3	LOGAN	73	53		
PLOT DATE:	CHECKED - KEB	REVISED -		CONTRACT NO. 72A88						
	DATE -	REVISED -		SCALE:	SHEET NO. 18 OF 27 SHEETS	STA. TO STA.	FED. ROAD DIST. NO.	ILLINOIS	FED. AID PROJECT	