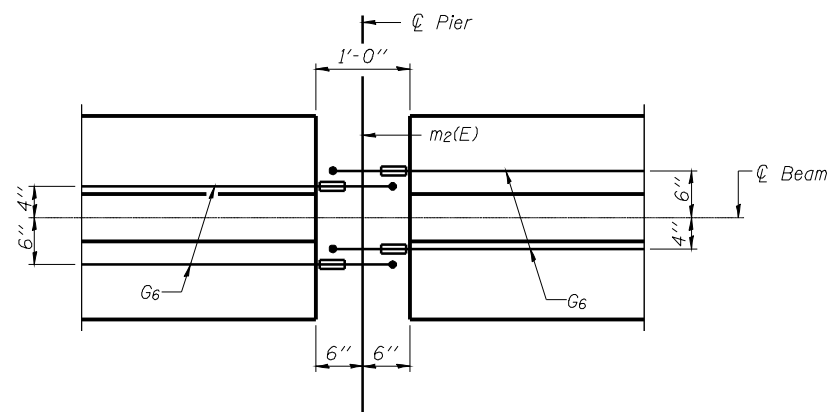
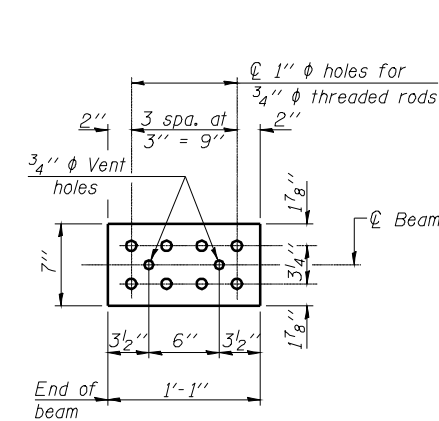


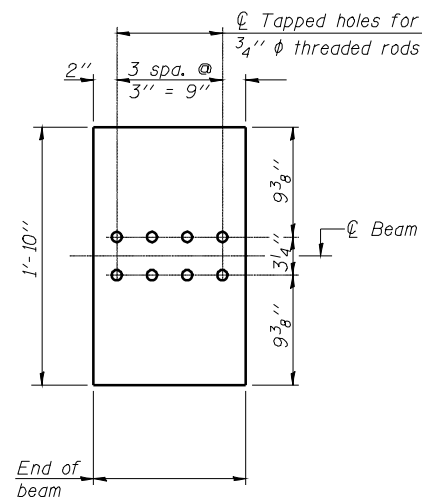
**ELEVATION OF BEAM AT PIER**



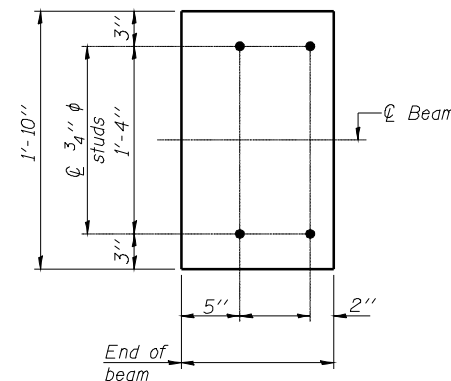
**PLAN OF BEAM AT PIER**



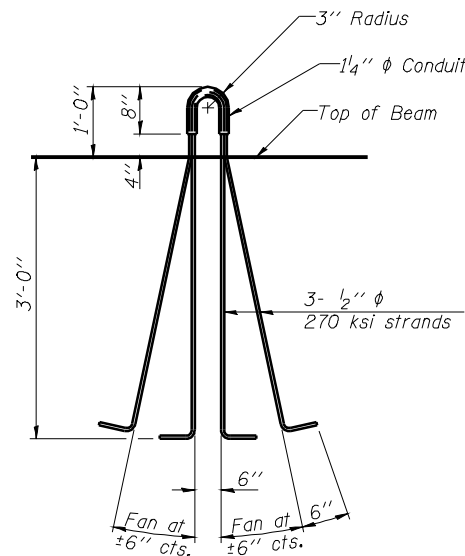
**TOP PLATE**



**BOTTOM PLATE**  
(Showing threaded rods)



**BOTTOM PLATE**  
(Showing studs)

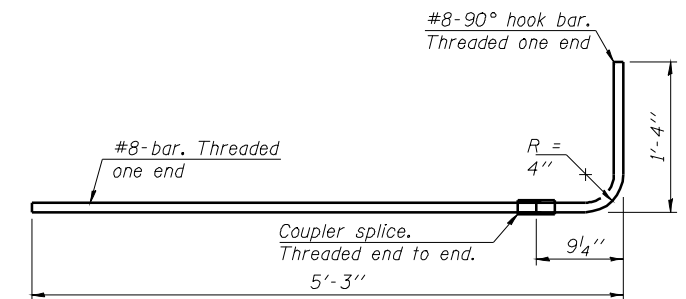


**LIFTING LOOP DETAIL**

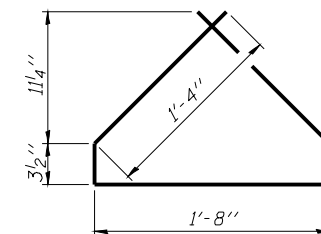
**NOTES**

Inserts for 3/4"  $\phi$  threaded dowel rods, when specified, are to be two strut, ferrule type for interior beams and single ferrule, flared loop type for exterior beams. Prestressing steel shall be uncoated high strength, low relaxation 7-wire strand, Grade 270. The nominal diameter shall be 1/2" and the nominal cross-sectional area shall be 0.153 sq. in.

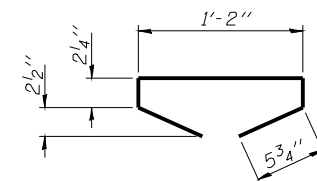
Reinforcement bars shall conform to ASTM A 706, Grade 60. (See Special Provisions). A minimum 2 1/2"  $\phi$  lifting pin shall be used to engage the lifting loops during handling. Tilt G<sub>6</sub> bars when necessary to maintain 1 1/2" clearance. The top and bottom plates shall be AASHTO M270 Grade 50. The bottom plates and studs shall be galvanized according to AASHTO M111. Threaded rods shall be ASTM F 1554 Grade 55. The G<sub>6</sub> bar assembly shall have the threaded ends oversized to ensure no reduction in cross sectional area after threading. The coupler splice shall be capable of developing 125 percent of the yield strength of the reinforcement bar.



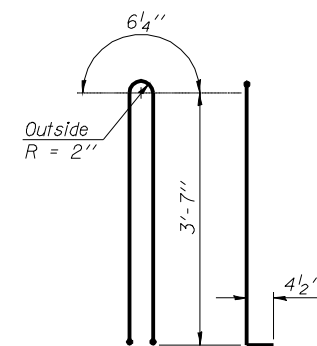
**G6 BAR ASSEMBLY**



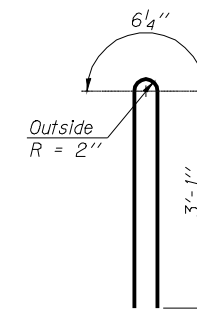
**BAR G4**



**BAR G5**



**BAR G1**



**BAR G2**

**BILL OF MATERIAL**

Item	Unit	Total
Furnishing and Erecting Precast Prestressed Concrete I-Beams, 42"	Ft.	414

**SPAN 2**  
**42" PPC I-BEAM DETAILS**  
**STRUCTURE NO. 054-0514**

USER NAME:	DESIGNED - RTM	REVISED -	<b>STATE OF ILLINOIS</b> <b>DEPARTMENT OF TRANSPORTATION</b>	<b>SPAN 2</b> <b>42" PPC I-BEAM DETAILS</b>		F.A.P. RTE.	SECTION	COUNTY	TOTAL SHEETS	SHEET NO.
PLOT SCALE:	DRAWN - MSD	REVISED -				717	109B-3	LOGAN	73	55
PLOT DATE:	CHECKED - KEB	REVISED -				CONTRACT NO. 72A88				
	DATE -	REVISED -				FED. ROAD DIST. NO.	ILLINOIS	FED. AID PROJECT		