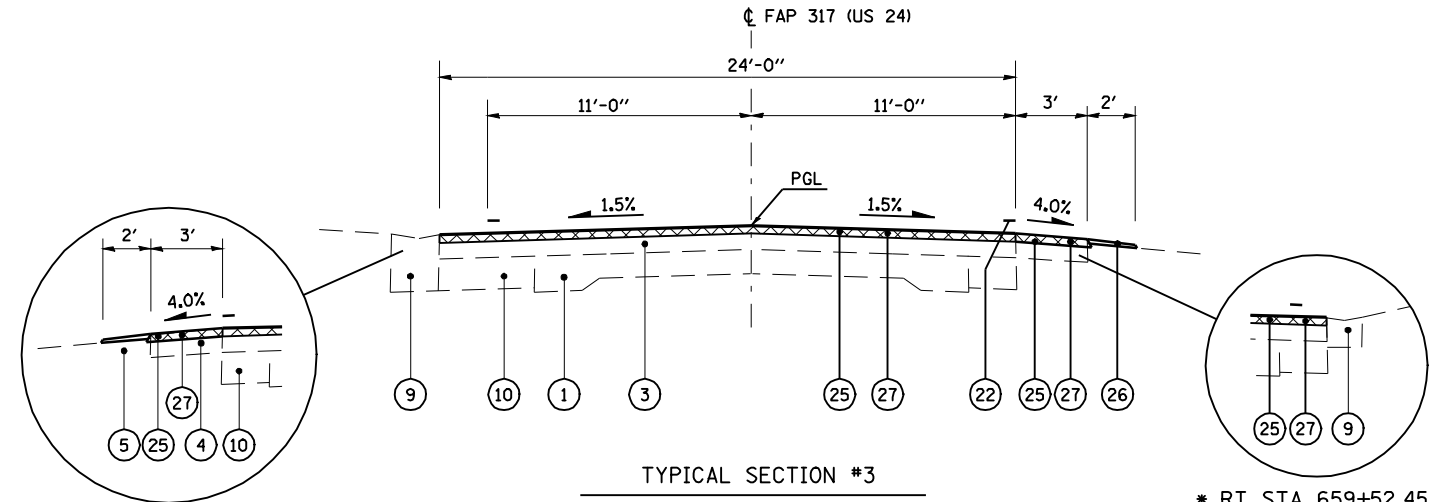


TYPICAL SECTION #1  
STA 636+07.83 TO 651+93.59

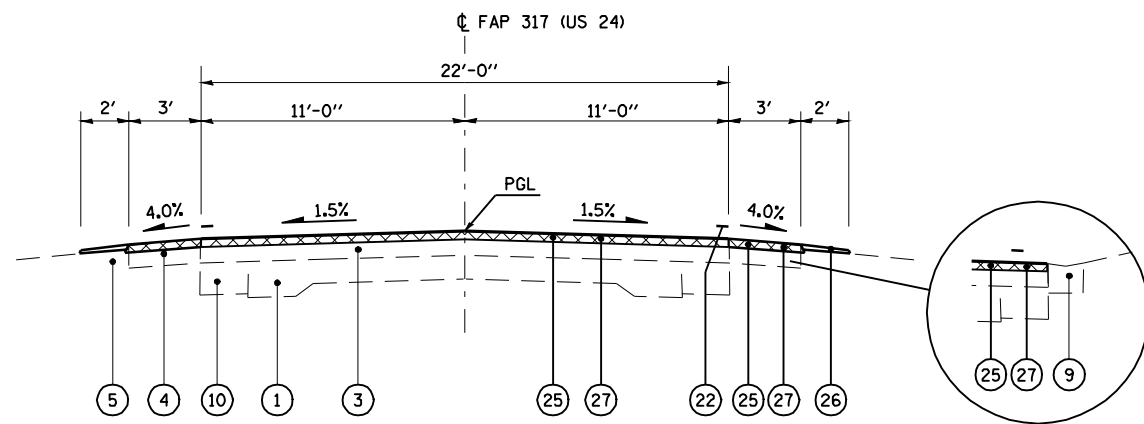
AGGREGATE WEDGE  
DETAIL



TYPICAL SECTION #3  
STA 655+44.47 TO 660+43.39 \*

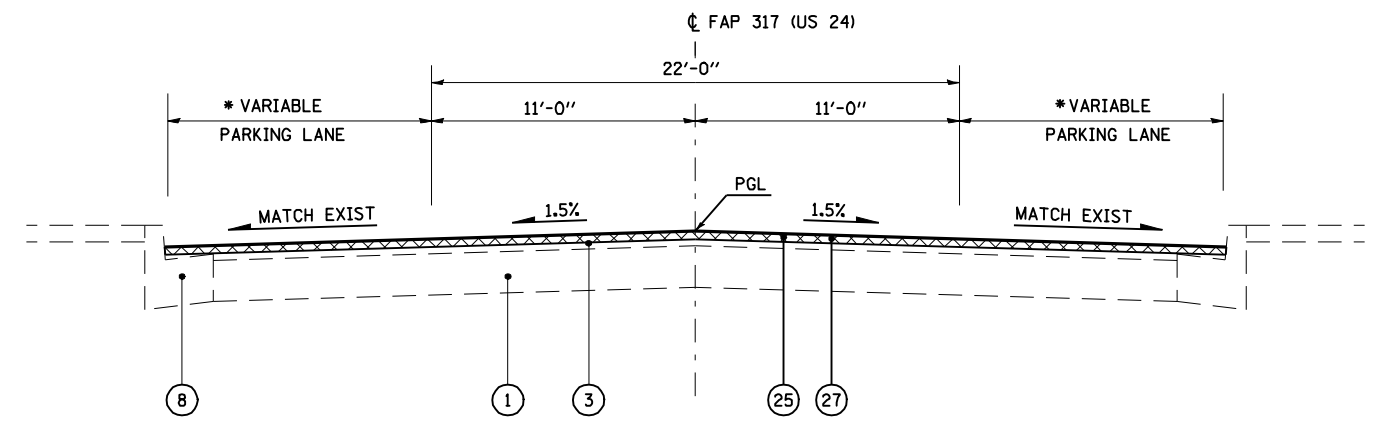
\* RT STA 659+52.45  
TO 660+43.39

\* LT STA 659+13.00  
TO 659+91.04



TYPICAL SECTION #2  
STA 651+93.59 TO 655+44.47  
STA 660+43.39 TO 661+74.30 BK = PT STA 659+40.87 AH \*  
PT STA 659+40.87 TO 668+96.40 BK = 0+00.00 AH \*\*  
\*\* PAVE WIDTH VARIES 22' TO 36' STA 665+32.63 TO 668+96.40

\* RT STA 660+43.39  
TO 661+74.30



TYPICAL SECTION #4  
STA 0+00.00 TO STA 10+14.00 (19')\*  
STA 10+14.00 TO STA 13+78.41 (11')\*

LEGEND

- |                                   |  |  |
|-----------------------------------|--|--|
| ① EX CONCRETE PAVEMENT            | ⑪ PR PAVEMENT REMOVAL                                  | ⑳ PR LEVELING BINDER (MACHINE METHOD), N70 (1")            |
| ② EX HOT-MIX ASPHALT WIDENING 8"  | ⑫ PR HOT-MIX ASPHALT SURFACE REMOVAL, VARIABLE DEPTH   | ㉑ PR HOT-MIX ASPHALT SURFACE COURSE, MIX "D", N70 (1 1/2") |
| ③ EX HOT-MIX ASPHALT OVERLAY 6"   | ⑬ PR COMBINATION CURB AND GUTTER REMOVAL               | ㉒ PR PAVEMENT MARKING                                      |
| ④ EX HOT-MIX ASPHALT SHOULDERS 8" | ⑭ PR PAVED SHOULDER REMOVAL                            | ㉓ PR FURNISHED EXCAVATION                                  |
| ⑤ EX AGGREGATE SHOULDERS          | ⑮ PR HOT-MIX ASPHALT SHOULDERS (8")                    | ㉔ PR HOT-MIX ASPHALT SURFACE COURSE, MIX "C", N30 (2")     |
| ⑥ EXISTING GROUND                 | ⑯ PR SUB-BASE GRANULAR MATERIAL, TYPE B 8"             | ㉕ PR HOT-MIX ASPHALT SURFACE REMOVAL, 2"                   |
| ⑦ EXISTING SIDEWALK               | ⑰ PR COMBINATION CONCRETE CURB AND GUTTER, TYPE B-6.24 | ㉖ PR AGGREGATE SHOULDERS, TYPE B (WEDGE)                   |
| ⑧ EXISTING CURB AND GUTTER        | ⑱ HOT-MIX ASPHALT BASE COURSE WIDENING, 11"            | ㉗ PR HOT-MIX ASPHALT SURFACE COURSE, MIX "D", N70 (2")     |
| ⑨ EXISTING CONCRETE GUTTER        | ⑲ PR SUB-BASE GRANULAR MATERIAL, TYPE C (VAR DEPTH)    | ㉘ PR CCC&G, TYPE M-6.24 (VARIABLE WIDTH GUTTER FLAG)       |
| ⑩ EX PCC BASE COURSE WIDENING 8"  | ⑳ PR LEVELING BINDER (MACHINE METHOD), N70 (1")        | ㉙ PR COMBINATION CONCRETE CURB AND GUTTER, TYPE M-6.06     |
|                                   |  | ㉚ PR HOT-MIX ASPHALT BASE COURSE, 6"                       |
|                                   |  | ㉛ PR SUB-BASE GRANULAR MATERIAL, TYPE A 4"                 |