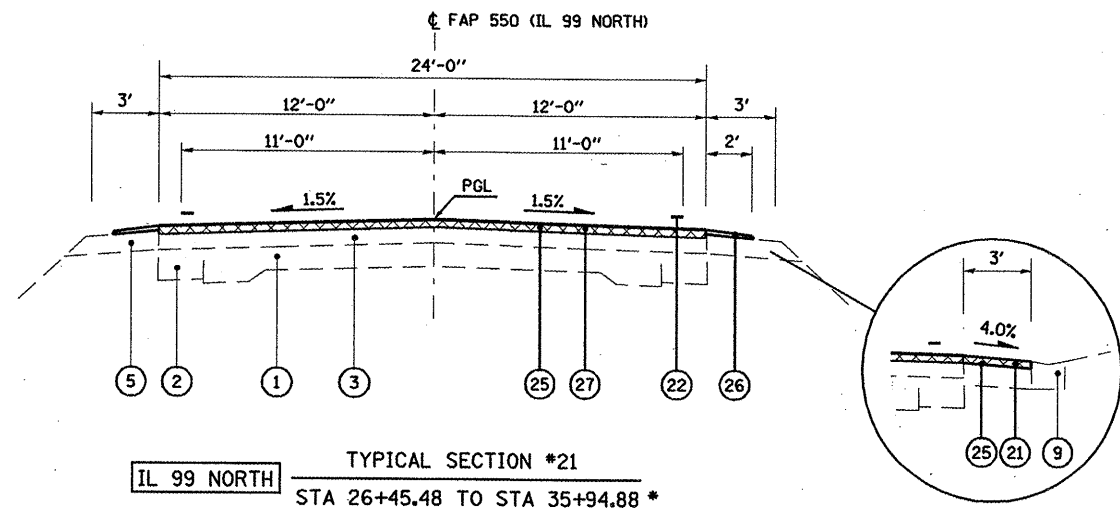
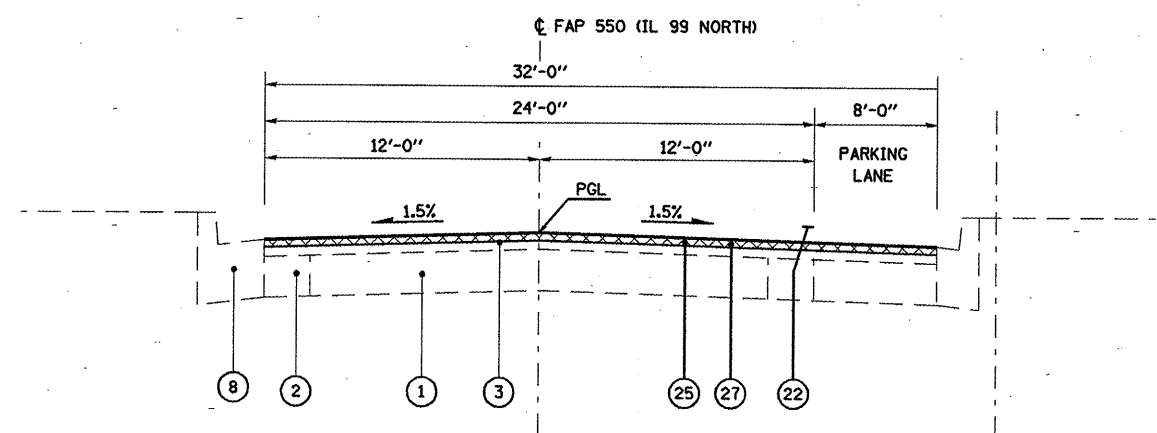


IL 99 NORTH TYPICAL SECTION #19  
STA 10+75.00 TO STA 16+85.11

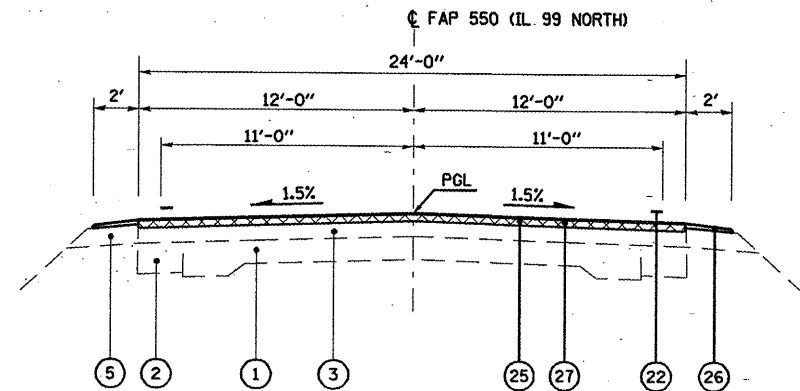


IL 99 NORTH TYPICAL SECTION #21  
STA 26+45.48 TO STA 35+94.88 \*

\* RT STA 26+45.48 TO 30+59.83  
\* LT STA 34+27.17 TO 35+94.88



IL 99 NORTH TYPICAL SECTION #20  
STA 16+85.11 TO STA 26+45.48



IL 99 NORTH TYPICAL SECTION #22  
STA 35+94.88 TO 59+90.86 BK = 50+00.00 AH  
STA 50+00.00 TO STA 51+83.31

**LEGEND**

- |                                   |  |  |  |
|-----------------------------------|--|--|--|
| ① EX CONCRETE PAVEMENT            | ⑪ PR PAVEMENT REMOVAL                                  | ⑳ PR LEVELING BINDER (MACHINE METHOD), N70 (1")            | ⑳ PR LEVELING BINDER (MACHINE METHOD), N70 (1")            |
| ② EX HOT-MIX ASPHALT WIDENING 8"  | ⑫ PR HOT-MIX ASPHALT SURFACE REMOVAL, VARIABLE DEPTH   | ㉑ PR HOT-MIX ASPHALT SURFACE COURSE, MIX "D", N70 (1 1/2") | ㉑ PR HOT-MIX ASPHALT SURFACE COURSE, MIX "D", N70 (1 1/2") |
| ③ EX HOT-MIX ASPHALT OVERLAY 6"   | ⑬ PR COMBINATION CURB AND GUTTER REMOVAL               | ㉒ PR PAVEMENT MARKING                                      | ㉒ PR PAVEMENT MARKING                                      |
| ④ EX HOT-MIX ASPHALT SHOULDERS 8" | ⑭ PR PAVED SHOULDER REMOVAL                            | ㉓ PR FURNISHED EXCAVATION                                  | ㉓ PR FURNISHED EXCAVATION                                  |
| ⑤ EX AGGREGATE SHOULDERS          | ⑮ PR HOT-MIX ASPHALT SHOULDERS (8")                    | ㉔ PR HOT-MIX ASPHALT SURFACE COURSE, MIX "C", N30 (2")     | ㉔ PR HOT-MIX ASPHALT SURFACE COURSE, MIX "C", N30 (2")     |
| ⑥ EXISTING GROUND                 | ⑯ PR SUB-BASE GRANULAR MATERIAL, TYPE A 8"             | ㉕ PR HOT-MIX ASPHALT SURFACE REMOVAL, 2"                   | ㉕ PR HOT-MIX ASPHALT SURFACE REMOVAL, 2"                   |
| ⑦ EXISTING SIDEWALK               | ⑰ PR COMBINATION CONCRETE CURB AND GUTTER, TYPE B-6.24 | ㉖ PR AGGREGATE SHOULDERS, TYPE B (WEDGE)                   | ㉖ PR AGGREGATE SHOULDERS, TYPE B (WEDGE)                   |
| ⑧ EXISTING CURB AND GUTTER        | ⑱ HOT-MIX ASPHALT BASE COURSE WIDENING, 11"            | ㉗ PR HOT-MIX ASPHALT SURFACE COURSE, MIX "D", N70 (2")     | ㉗ PR HOT-MIX ASPHALT SURFACE COURSE, MIX "D", N70 (2")     |
| ⑨ EXISTING CONCRETE GUTTER        | ⑲ PR SUB-BASE GRANULAR MATERIAL, TYPE C (VAR DEPTH)    | ㉘ PR CCC&G, TYPE M-6.24 (VARIABLE WIDTH GUTTER FLAG)       | ㉘ PR CCC&G, TYPE M-6.24 (VARIABLE WIDTH GUTTER FLAG)       |
| ⑩ EX PCC BASE COURSE WIDENING 8"  | ⑳ PR LEVELING BINDER (MACHINE METHOD), N70 (1")        | ㉙ PR COMBINATION CONCRETE CURB AND GUTTER, TYPE M-6.06     | ㉙ PR COMBINATION CONCRETE CURB AND GUTTER, TYPE M-6.06     |
|                                   |  | ㉚ PR HOT-MIX ASPHALT BASE COURSE, 6"                       | ㉚ PR HOT-MIX ASPHALT BASE COURSE, 6"                       |
|                                   |  | ㉛ PR SUB-BASE GRANULAR MATERIAL, TYPE A 4"                 | ㉛ PR SUB-BASE GRANULAR MATERIAL, TYPE A 4"                 |

FILE NAME = c:\pwork\p\WIDOT\LAUGHLIN\lms20175\672b60-shr-typical.dgn	USER NAME = laughlinr1	DESIGNED -	REVISED -
PLOT SCALE = 8.0000' / IN.	PLOT DATE = Oct-07-2009 07:56:25AM	DRAWN -	REVISED -
		CHECKED -	REVISED -
		DATE -	REVISED -

**STATE OF ILLINOIS  
DEPARTMENT OF TRANSPORTATION**

**3P TYPICAL SECTIONS**  
SCALE: SHEET NO. 8 OF 8 SHEETS STA. TO STA.

F.A.P. RTE.	SECTION	COUNTY	TOTAL SHEETS	SHEET NO.
*	70W-1,RS-8,NH; 9RS-4	BROWN	177	16
CONTRACT NO. 72B60				
FED. ROAD DIST. NO. ILLINOIS FED. AID PROJECT				
* FAP 317 (1/5 74) & 550 (1/1 99)				

Rev.