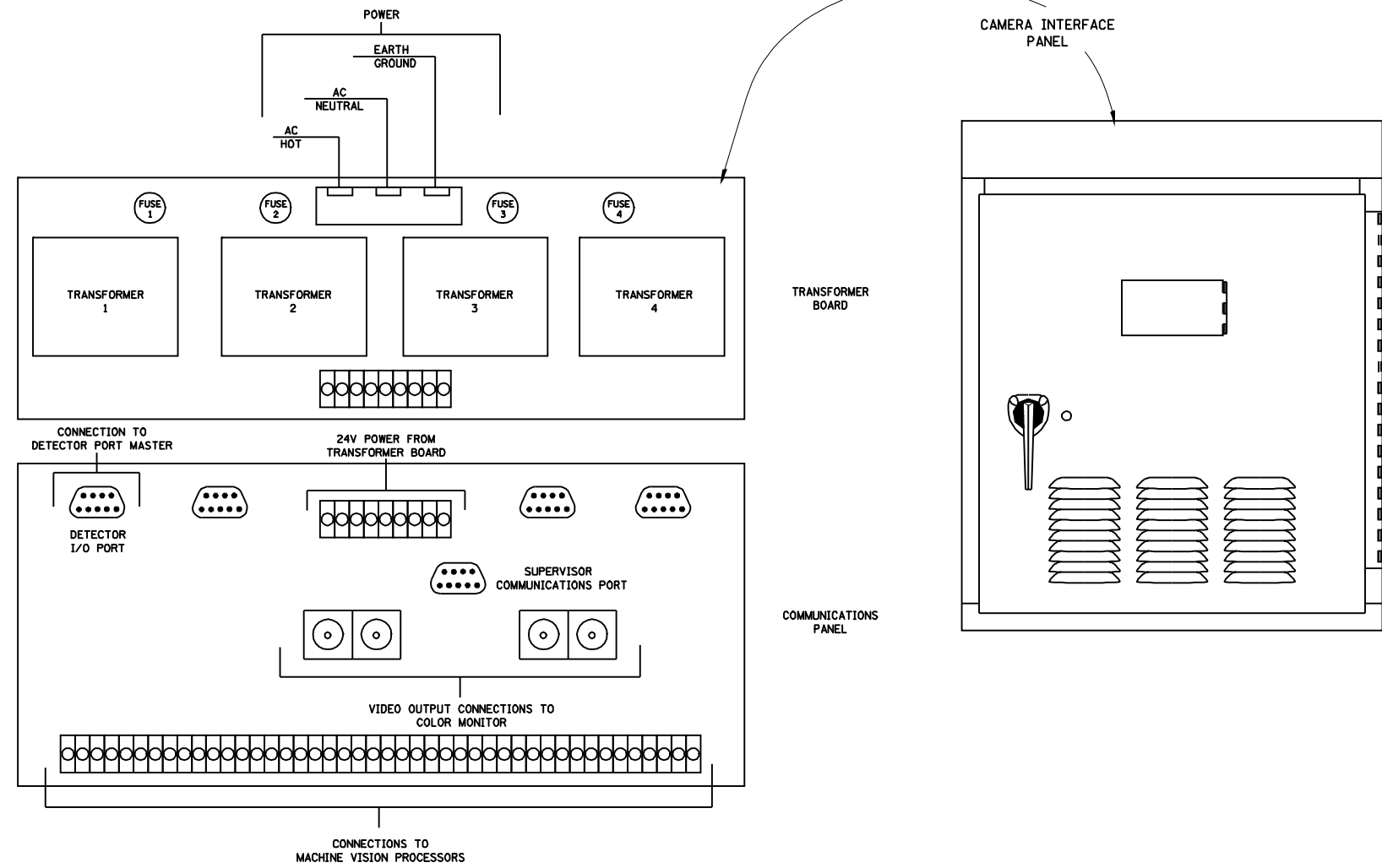
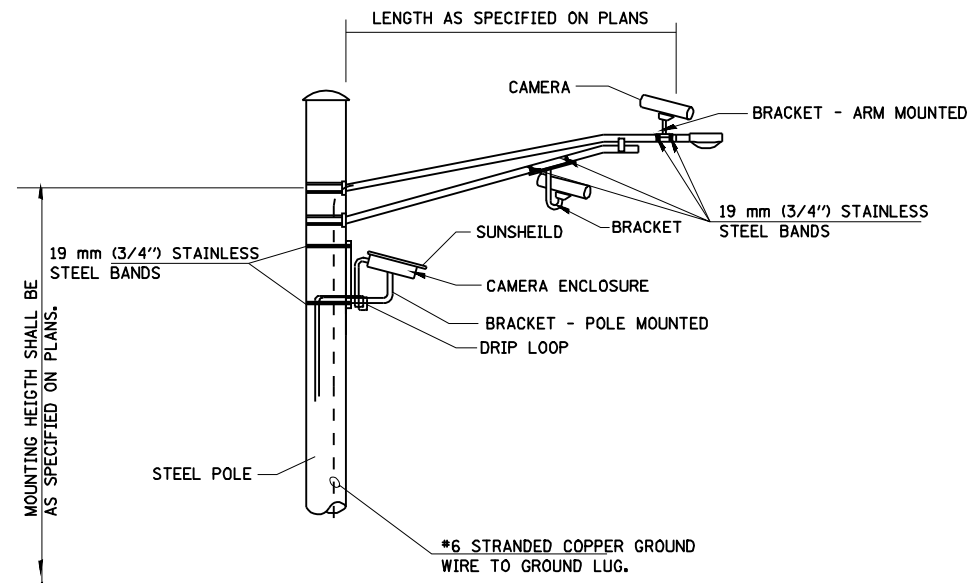


**VIDEO DETECTION SYSTEM INSTALLATION  
ARM MOUNTED OR POLE MOUNTED CAMERA**



|   |                                    |            |           |
|---|------------------------------------|------------|-----------|
| FILE NAME =   | USER NAME = laughlinr1             | DESIGNED - | REVISED - |
| e:\pwork\pwork\LAUGHLINRL\dms20188\0672B60-shr-TS.dgn |                                    | DRAWN -    | REVISED - |
|   | PLOT SCALE = 40.0000 ' / IN.       | CHECKED -  | REVISED - |
|   | PLOT DATE = Oct-07-2009 10:38:39AM | DATE -     | REVISED - |

**STATE OF ILLINOIS  
DEPARTMENT OF TRANSPORTATION**

**VIDEO DETECTION DETAILS**

SCALE: SHEET NO. 5 OF 6 SHEETS STA. TO STA.

| F.A.P. RTE.               | SECTION             | COUNTY | TOTAL SHEETS | SHEET NO. |
|---------------------------|---------------------|--------|--------------|-----------|
| *                         | 7(W-1,RS-8,N) 9RS-4 | BROWN  | 177          | 106       |
| CONTRACT NO. 72B60        |                     |        |              |           |
| ILLINOIS FED. AID PROJECT |                     |        |              |           |

\* FAP 717 (11C 24) & 550 (11 99)