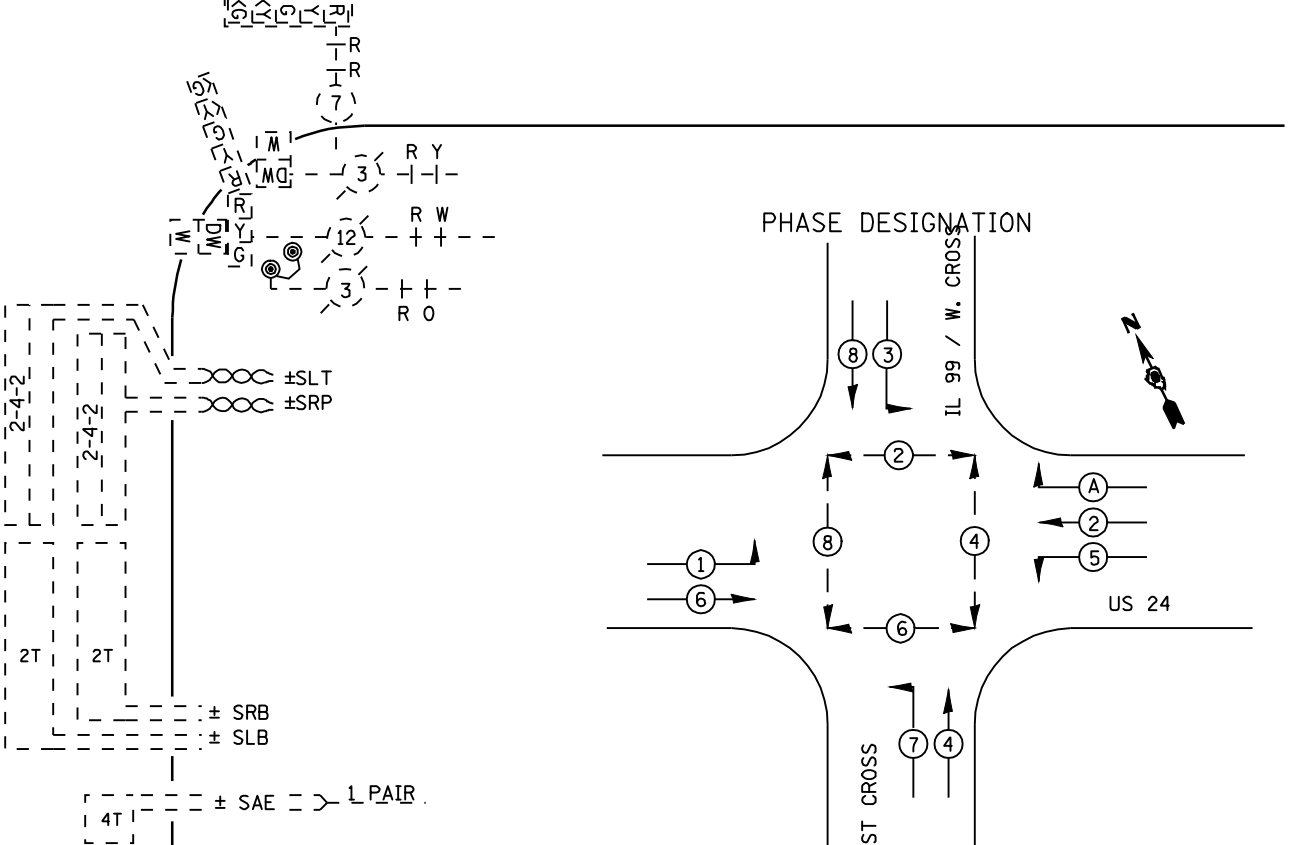
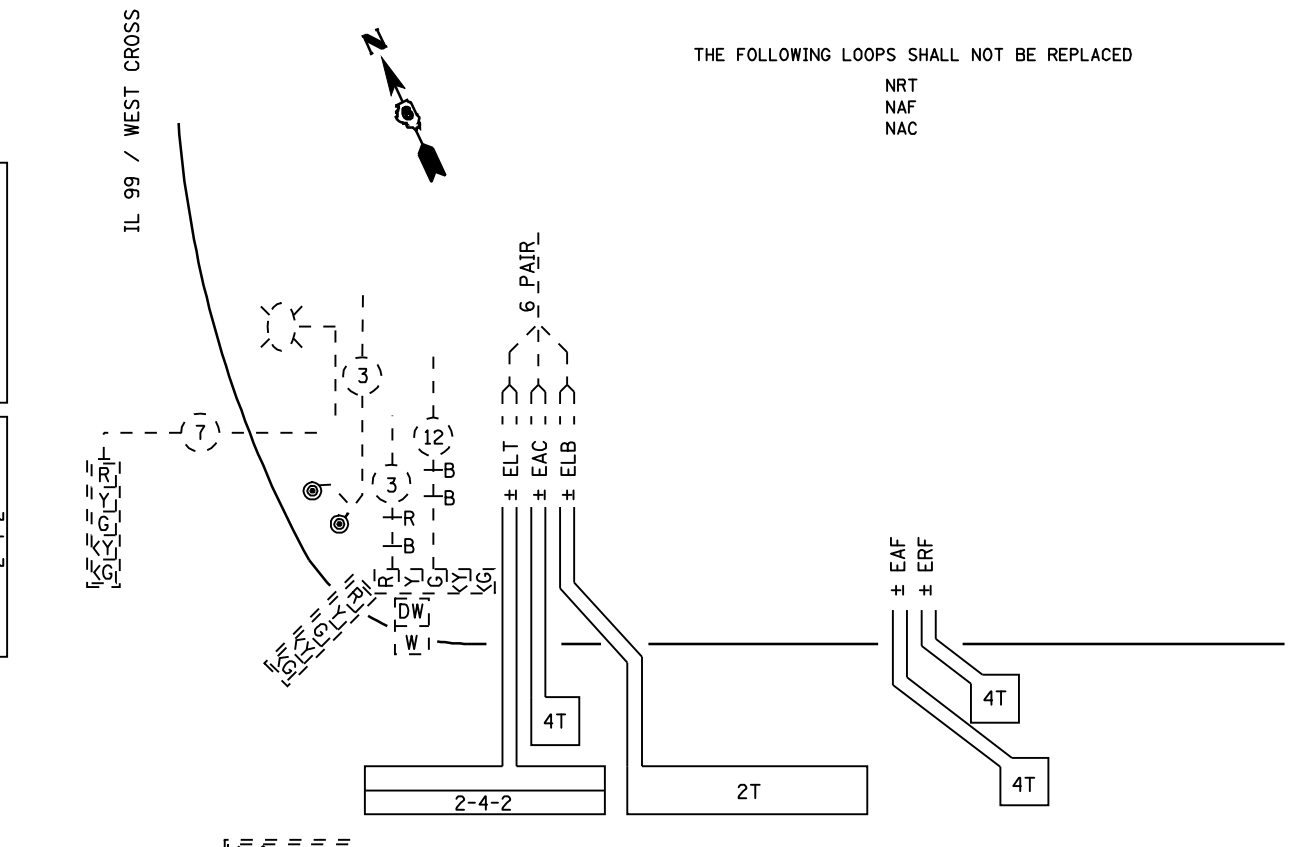
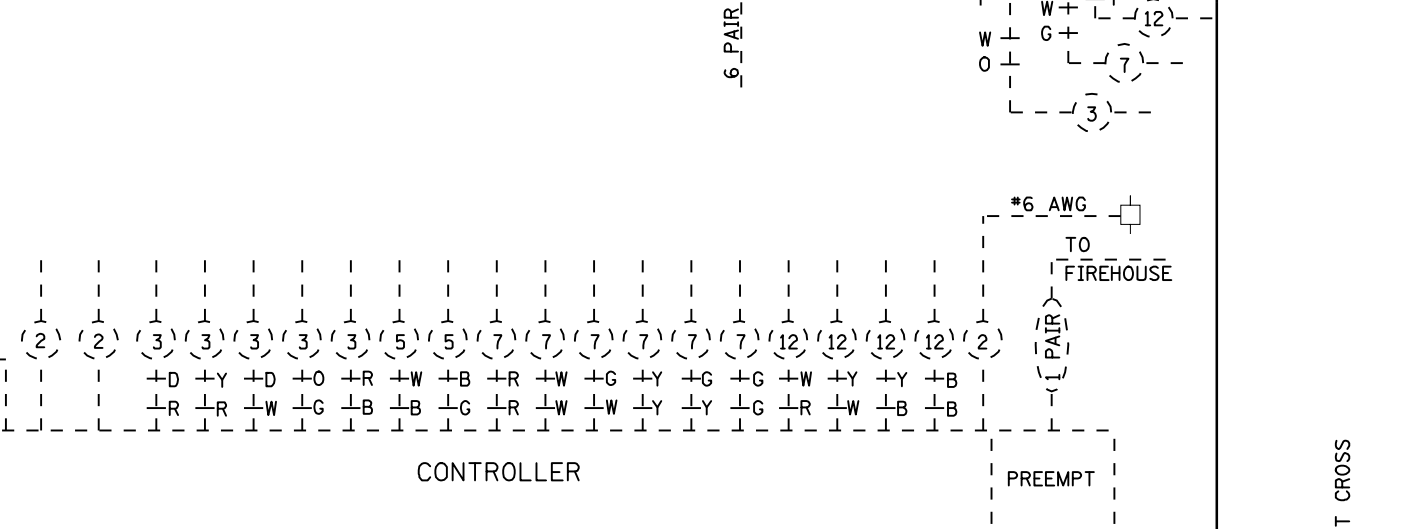
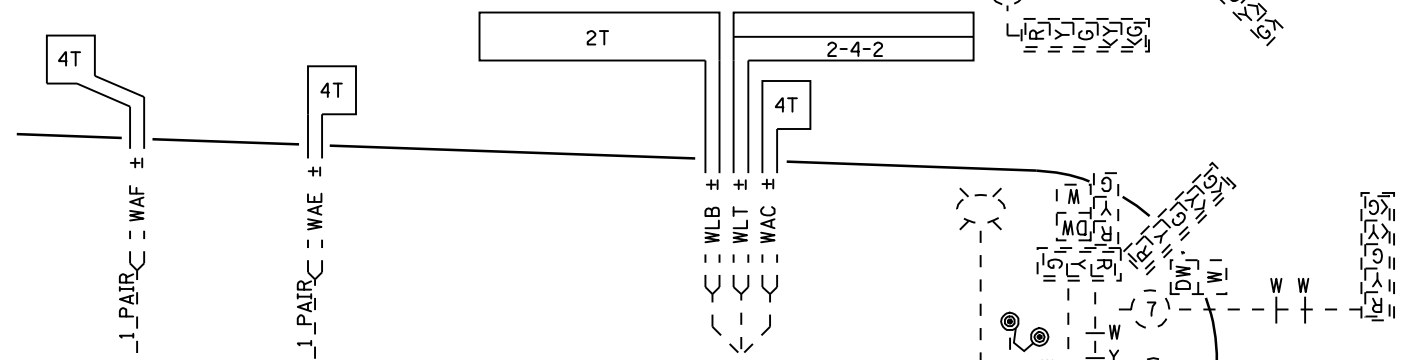
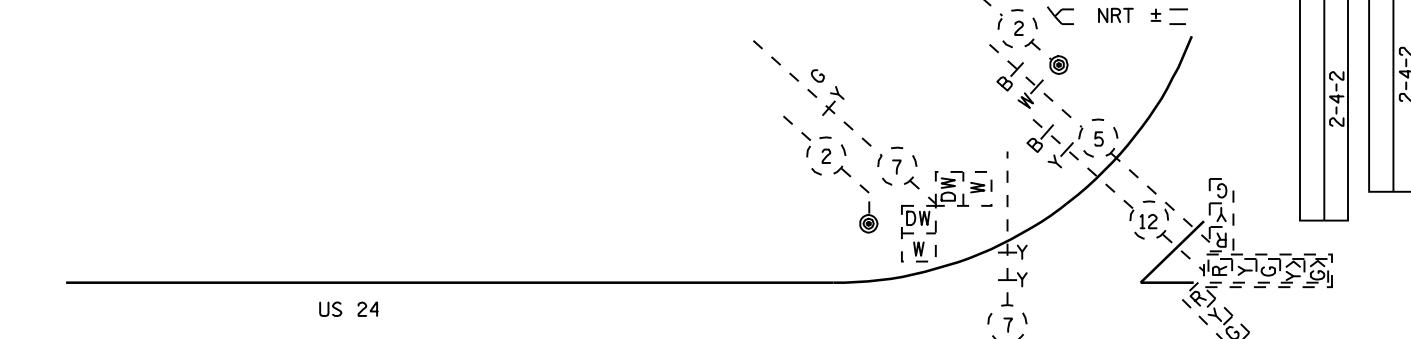
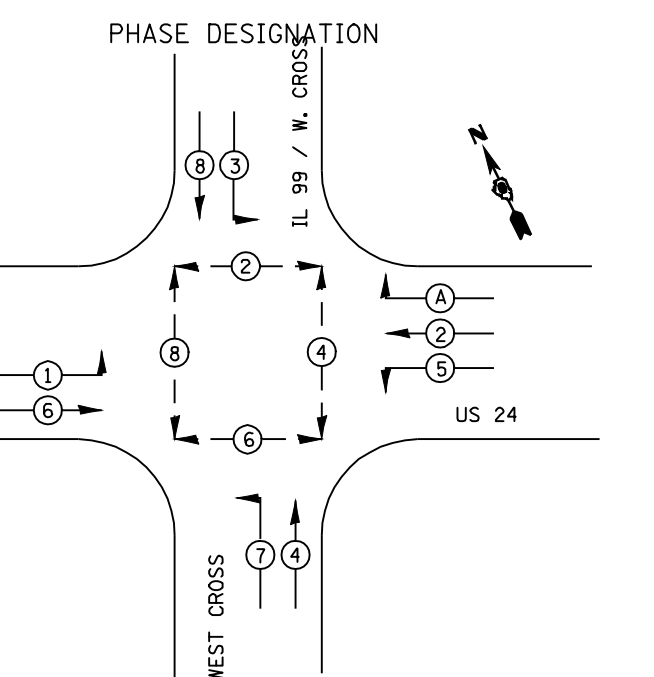


DETECTORS	
PHASE	6 6 1 1 6 2 5 5 2 2 4 7 4 7 7 7 3 8 3 8 8 8 8
1 PAIR	WAF ±
1 PAIR	WAE ±
6 PAIR	WLT ±
6 PAIR	WLB ±
6 PAIR	WAC ±
6 PAIR	EAC ±
6 PAIR	ELT ±
6 PAIR	ELB ±
6 PAIR	ERF ±
6 PAIR	ELF ±
6 PAIR	SRP ±
6 PAIR	SLT ±
6 PAIR	SRB ±
6 PAIR	SLB ±
6 PAIR	SAE ±
6 PAIR	SAF ±
6 PAIR	NLT ±
6 PAIR	NAP ±
6 PAIR	NLB ±
6 PAIR	NRB ±
6 PAIR	NRT ±
6 PAIR	NAE ±
6 PAIR	NAC ±



THE FOLLOWING LOOPS SHALL NOT BE REPLACED

NRT  
NAF  
NAC



CONTROLLER	
(2)	(2)
(3)	(3)
(3)	(3)
(3)	(3)
(3)	(3)
(5)	(5)
(7)	(7)
(7)	(7)
(7)	(7)
(7)	(7)
(7)	(7)
(12)	(12)
(12)	(12)
(12)	(12)
(12)	(12)
(2)	(2)

