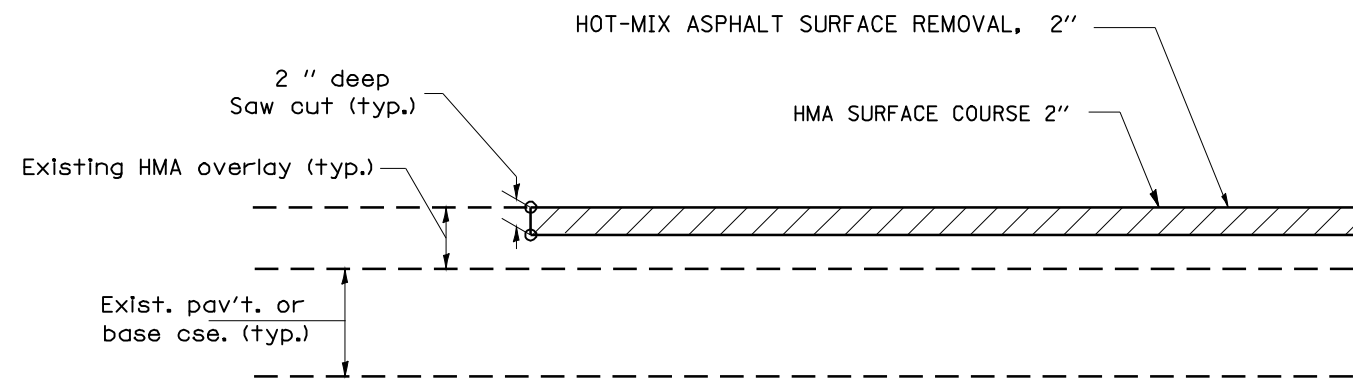


BUTT JOINT DETAIL #1



BUTT JOINT DETAIL #2

NOTE: SAW CUT IS INCLUDED IN THE COST OF HMA SURFACE REMOVAL 2" AND IS NOT TO BE PAID SEPARATELY.

FILE NAME =	USER NAME = laughlinr1	DESIGNED -	REVISED -	STATE OF ILLINOIS DEPARTMENT OF TRANSPORTATION	BUTT JOINT DETAIL			F.A.P. RTE.	SECTION	COUNTY	TOTAL SHEETS	SHEET NO.
e:\pwork\pwidot\LAUGHLINRL\dms20175\0672B60-sh.t.butt_joint.dgn		DRAWN -	REVISED -		SCALE:	SHEET NO. 1 OF 1 SHEETS	STA.	TO STA.	7(W-1,RS-8,N); 9RS-4	BROWN	177	115
		CHECKED -	REVISED -					CONTRACT NO. 72B60				
		DATE -	REVISED -		FED. ROAD DIST. NO. ILLINOIS FED. AID PROJECT							