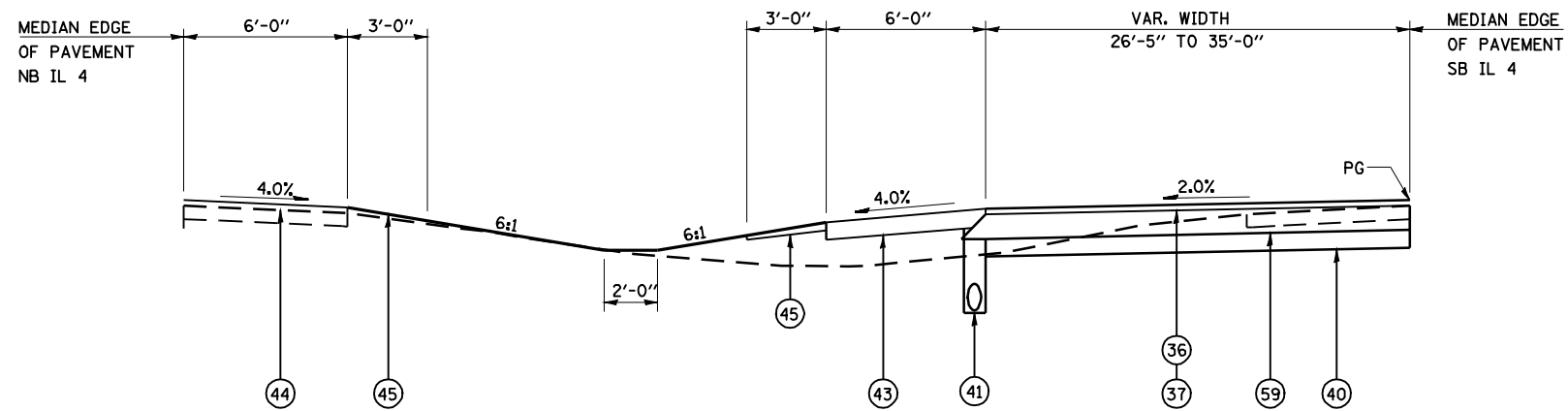


**TYPICAL CROSS SECTION
LEFT TURN LANE**
STA 326+06.55 TO STA 327+34.82
STA 333+49.91 TO STA 334+39.58



**TYPICAL CROSS SECTION
LEFT TURN LANE**
STA 322+21.91 TO STA 326+06.55