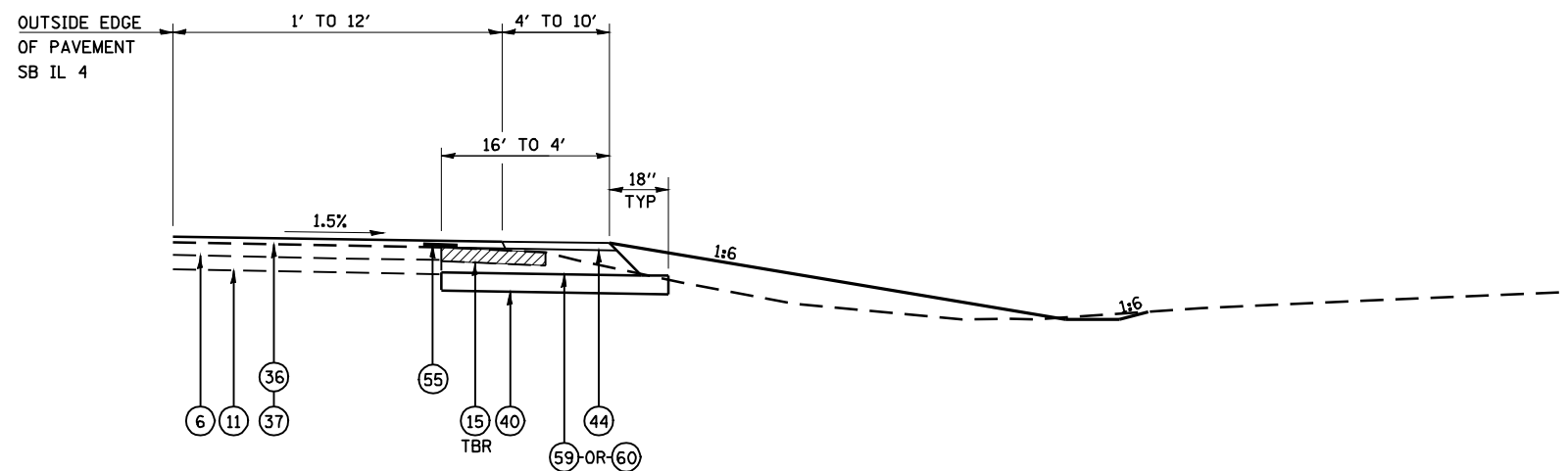


**TYPICAL CROSS SECTION
RIGHT TURN LANE**
STA 337+55.69 TO STA 343+61.22



**TYPICAL CROSS SECTION
RIGHT TURN LANE**
STA 322+41.73 TO STA 329+94.39