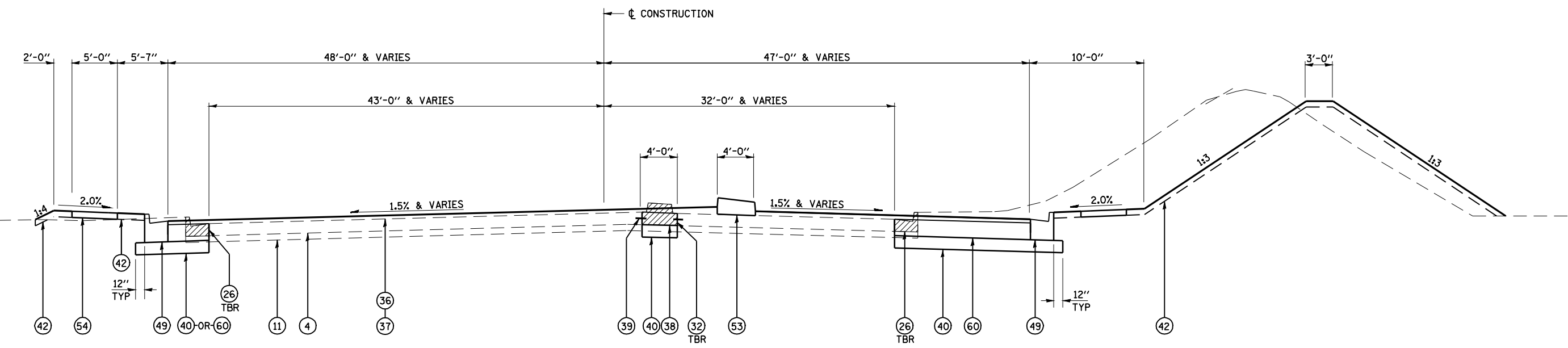


**TYPICAL CROSS SECTION**  
**MONROE ST**  
 STA 52+72.34 TO STA 55+72.35 BK = 6+56.47 AH



**TYPICAL CROSS SECTION**  
**MONROE ST**  
 STA 50+26.35 TO STA 52+72.34

<b>CEC</b> Cummins Engineering Corporation Civil and Structural Engineering	JOB = 2200.4	DESIGNED - NAK	REVISED -	<b>STATE OF ILLINOIS</b> <b>DEPARTMENT OF TRANSPORTATION</b>	<b>TYPICAL CROSS SECTIONS</b>			F.A.S. RTE.	SECTION	COUNTY	TOTAL SHEETS	SHEET NO.
	FILE NAME = D672B99-shr-typical.dgn	DRAWN - AJH	REVISED -					662	(2-1-2, 2-2) RS, TS-6	SANGAMON	244	25
	PLOT SCALE = 12.0000' / IN.	CHECKED - NAK	REVISED -		SCALE:	SHEET NO.	OF	SHEETS	STA.	TO STA.	CONTRACT NO. 72B99	
	PLOT DATE = Oct-29-2009 11:29:02AM	DATE - 10/12/2009	REVISED -								FED. ROAD DIST. NO.   ILLINOIS FED. AID PROJECT	