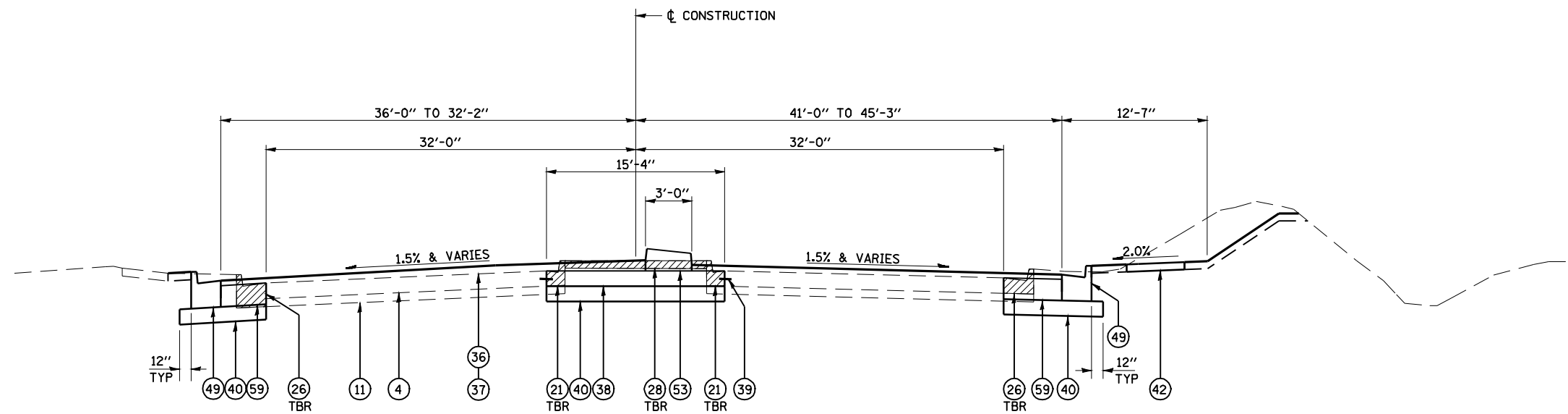


**TYPICAL CROSS SECTION
MONROE ST
STA 11+92.16 TO STA 12+17.57**



**TYPICAL CROSS SECTION
MONROE ST
STA 6+56.47 TO STA 11+92.16**