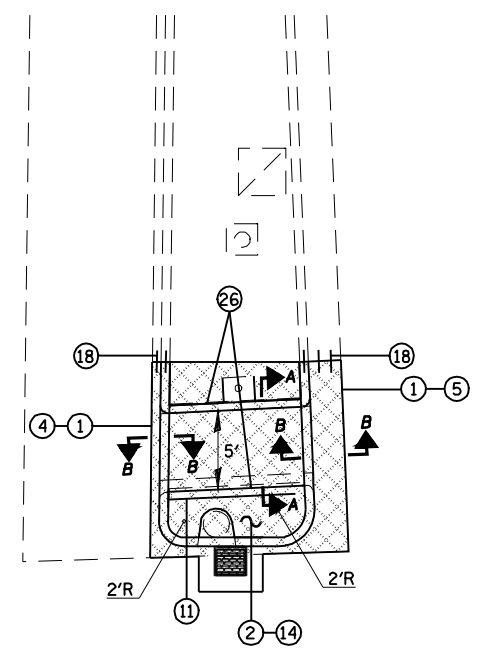
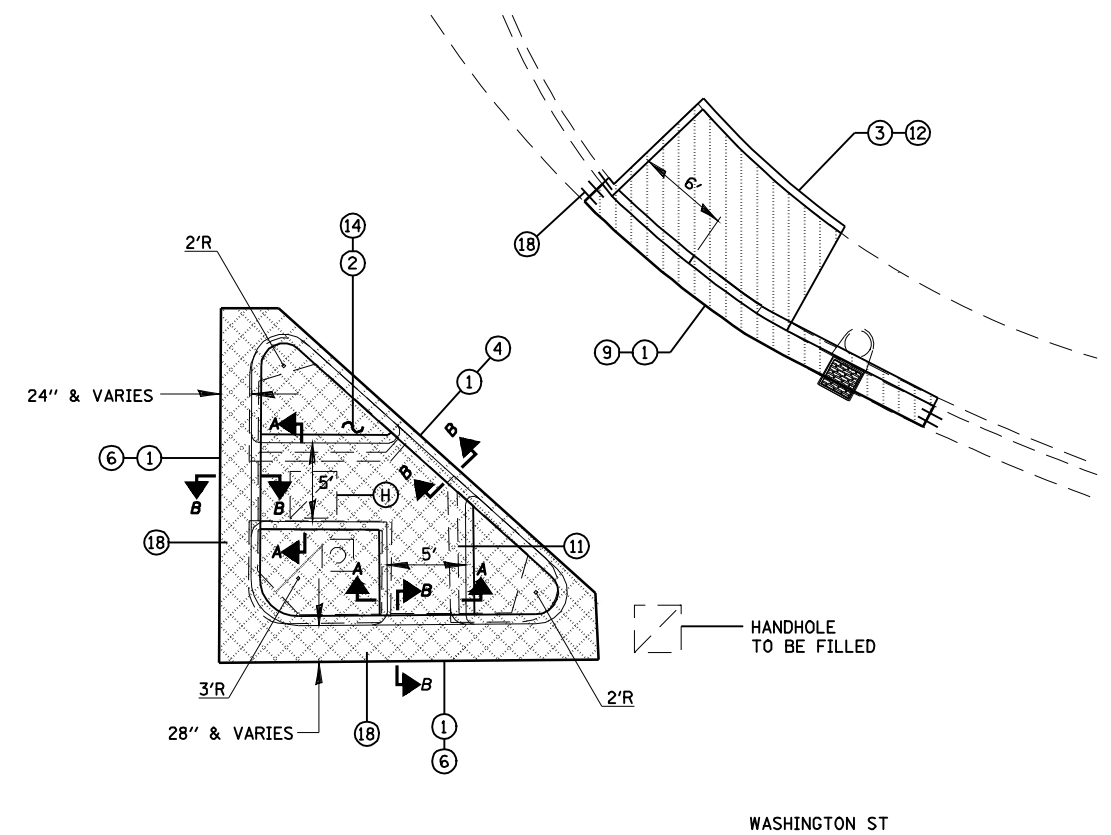


SB IL 4



NB IL 4

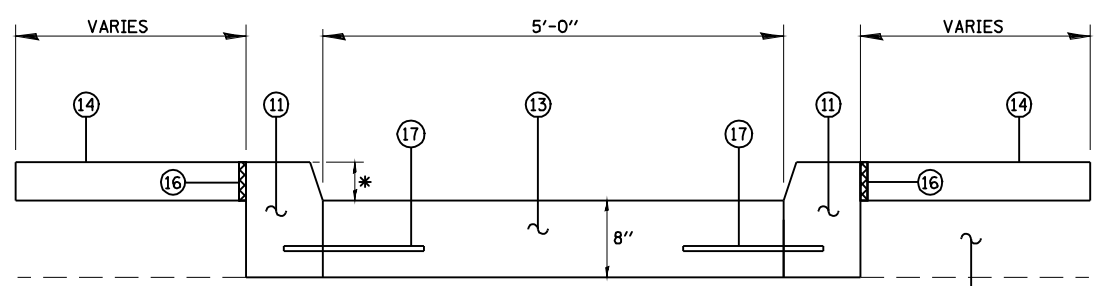


WASHINGTON ST

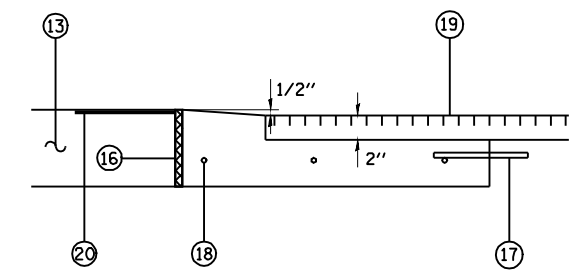
WASHINGTON ST SIDEWALK PLAN (NORTH)

- LEGEND**
- ① EXIST. COMBINATION CURB AND GUTTER TBR
 - ② EXIST. 4" CONCRETE MEDIAN SURFACE TBR
 - ③ SIDEWALK REMOVAL
 - ④ PROP. COMBINATION CURB AND GUTTER TYPE M-6.06
 - ⑤ PROP. COMBINATION CURB AND GUTTER TYPE M-6.24
 - ⑥ PROP. COMBINATION CURB AND GUTTER TYPE M-6.24 (VWGF)
 - ⑦ PROP. COMBINATION CURB AND GUTTER TYPE B-6.06
 - ⑧ PROP. COMBINATION CURB AND GUTTER TYPE B-6.12
 - ⑨ PROP. COMBINATION CURB AND GUTTER TYPE B-6.18
 - ⑩ PROP. COMBINATION CURB AND GUTTER TYPE B-6.24
 - ⑪ PROP. CONCRETE CURB TYPE B6
 - ⑫ PROP. P.C.C. SIDEWALK 4"
 - ⑬ PROP. P.C.C. SIDEWALK 8"
 - ⑭ PROP. CONCRETE MEDIAN SURFACE 4"
 - ⑮ PROP. SUB BASE GRANULAR MATERIAL MATERIAL TYPE B
 - ⑯ PROP. 3/4" PREFORMED EXPANSION JOINT FILLER (TYP.)
 - ⑰ PROP. TIE BAR
 - ⑱ PROP. DOWEL BAR
 - ⑲ PROP. HMA RESURFACING
 - ⑳ PROP. DETECTABLE WARNINGS
 - ㉑ EXIST. CONCRETE GUTTER TBR
 - ㉒ EXIST. PAVED DITCH TBR
 - ㉓ PROP. CONCRETE GUTTER TYPE B (SPECIAL)
 - ㉔ PROP. CLASS SI CONCRETE OUTLET
 - ㉕ PROP. PAVED DITCH TYPE A-15 (SPECIAL)
 - ㉖ CONCRETE CURB TYPE B (SPECIAL)
 - Ⓜ EXISTING HANDHOLE BOX (TO REMAIN OR TO BE ADJUSTED)

NOTE:
 1. FOR ADDITIONAL INFORMATION ABOUT CURB AND GUTTER, MEDIAN AND SIDEWALK SEE STD. 424001, 606001, & 606301



SECTION A-A



SECTION B-B



JOB = 2200.4
 FILE NAME = D672B99-shd-detaisl4.dgn
 PLOT SCALE = 12.1921' / IN.
 PLOT DATE = Oct-29-2009 11:54:23AM

DESIGNED - NAK
 DRAWN - AJH
 CHECKED - NAK
 DATE - 10/12/2009

REVISED -
 REVISED -
 REVISED -
 REVISED -

STATE OF ILLINOIS
 DEPARTMENT OF TRANSPORTATION

CROSSWALK & ISLAND DETAILS
 SCALE: SHEET NO. OF SHEETS STA. TO STA.

F.A.S. RTE.	SECTION	COUNTY	TOTAL SHEETS	SHEET NO.
662	(2-1-2, 2-2) RS, TS-6	SANGAMON	244	145
CONTRACT NO. 72B99				
FED. ROAD DIST. NO. ILLINOIS FED. AID PROJECT				