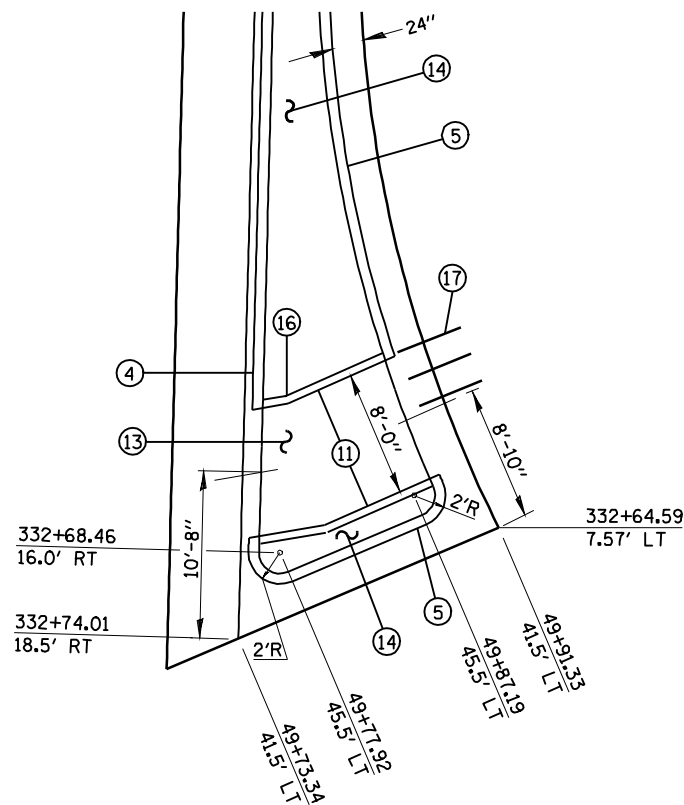
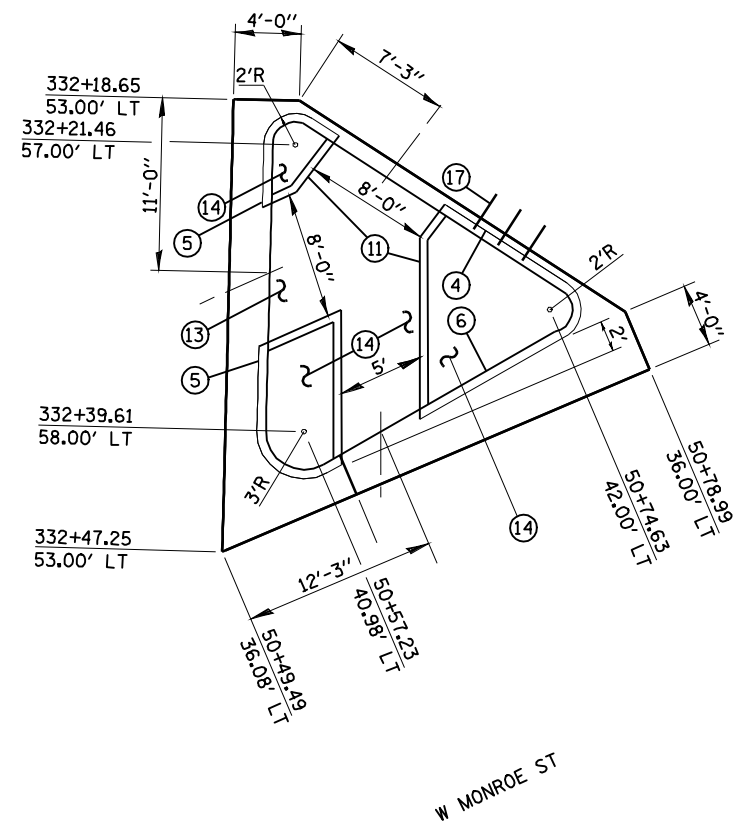


SB IL 4 (VETERANS PARKWAY)



NB IL 4 (VETERANS PARKWAY)



OLD JACKSONVILLE RD SIDEWALK PLAN (NORTH)

LEGEND	
1	EXIST. COMBINATION CURB AND GUTTER TBR
2	EXIST. 4" CONCRETE MEDIAN SURFACE TBR
3	SIDEWALK REMOVAL
4	PROP. COMBINATION CURB AND GUTTER TYPE M-6.06
5	PROP. COMBINATION CURB AND GUTTER TYPE M-6.24
6	PROP. COMBINATION CURB AND GUTTER TYPE M-6.24 (VWGF)
7	PROP. COMBINATION CURB AND GUTTER TYPE B-6.06
8	PROP. COMBINATION CURB AND GUTTER TYPE B-6.12
9	PROP. COMBINATION CURB AND GUTTER TYPE B-6.18
10	PROP. COMBINATION CURB AND GUTTER TYPE B-6.24
11	PROP. CONCRETE CURB TYPE B6
12	PROP. P.C.C. SIDEWALK 4"
13	PROP. P.C.C. SIDEWALK 8"
14	PROP. CONCRETE MEDIAN SURFACE 4"
15	PROP. SUB BASE GRANULAR MATERIAL MATERIAL TYPE B
16	PROP. 3/4" PREFORMED EXPANSION JOINT FILLER (TYP.)
17	PROP. TIE BAR
18	PROP. DOWEL BAR
19	PROP. HMA RESURFACING
20	PROP. DETECTABLE WARNINGS
21	EXIST. CONCRETE GUTTER TBR
22	EXIST. PAVED DITCH TBR
23	PROP. CONCRETE GUTTER TYPE B (SPECIAL)
24	PROP. CLASS SI CONCRETE OUTLET
25	PROP. PAVED DITCH TYPE A-15 (SPECIAL)
26	CONCRETE CURB TYPE B (SPECIAL)
(H)	EXISTING HANDHOLE BOX (TO REMAIN OR TO BE ADJUSTED)

NOTE:

- FOR ADDITIONAL INFORMATION ABOUT CURB AND GUTTER, MEDIAN AND SIDEWALK SEE STD. 424001, 606001, & 606301