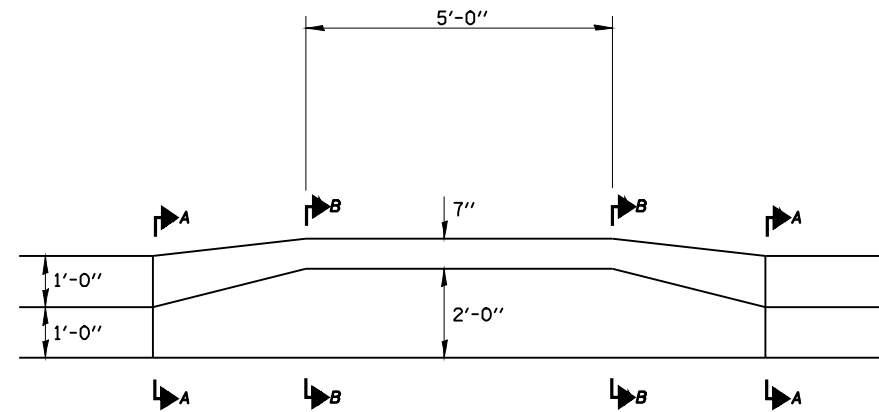
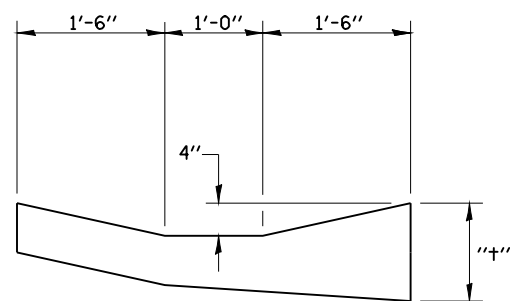


PAVED DITCH TYPE B-30 (SPECIAL)

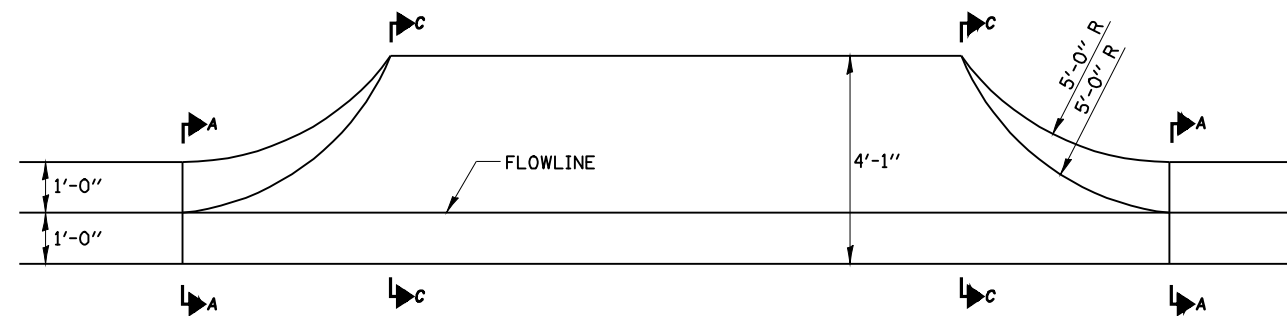


CONCRETE GUTTER TYPE B (SPECIAL)
DETAIL AT SIDEWALK HANDICAP RAMP

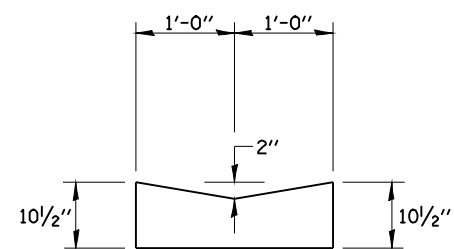


PAVED DITCH TYPE A-15 (SPECIAL)

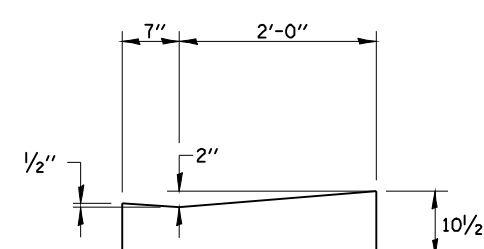
1 1/2" = PAVEMENT THICKNESS



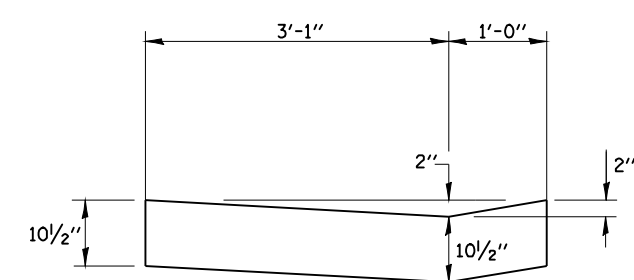
CONCRETE GUTTER TYPE B (SPECIAL)
DETAIL AT COMMERCIAL ENTRANCE



SECTION A-A



SECTION B-B



SECTION C-C

SEE STANDARD 606401 FOR DETAILS
OF PAVED DITCH NOT SHOWN
SEE STANDARD 606201 OF DETAILS
OF TYPE B GUTTER NOT SHOWN