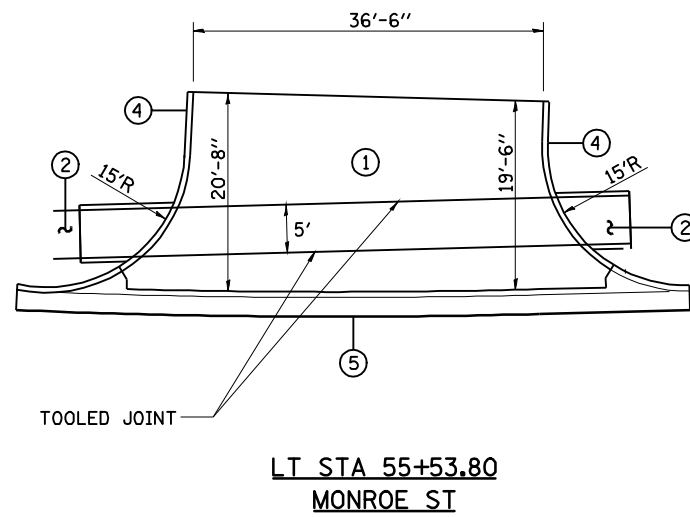
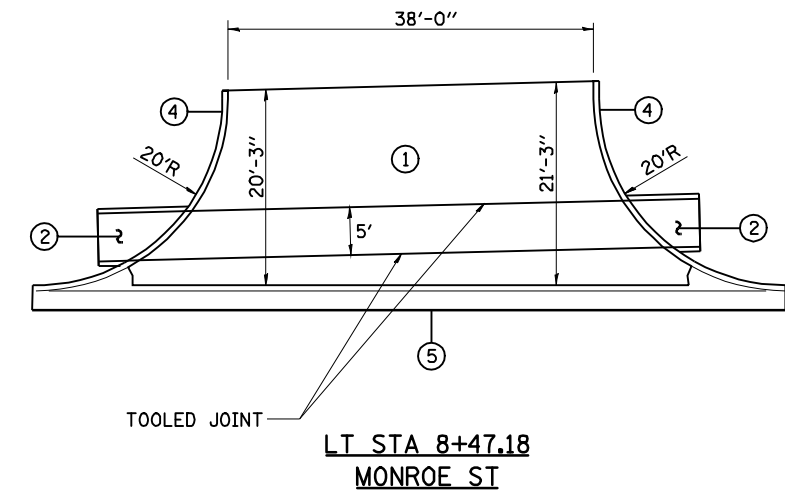


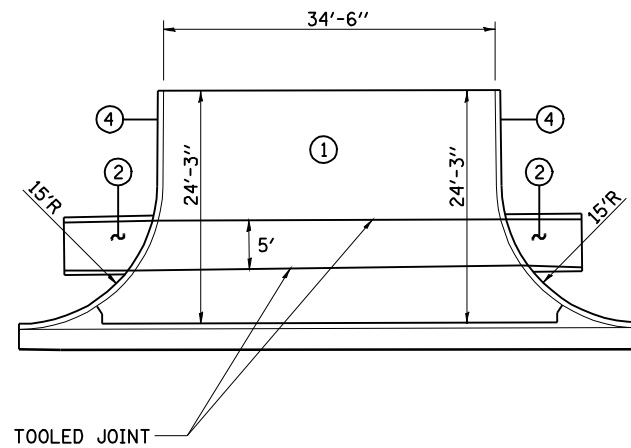
RT STA 11+48
RICKARD RD



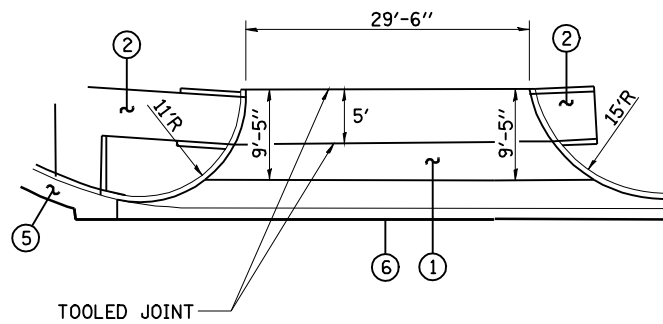
LT STA 55+53.80
MONROE ST



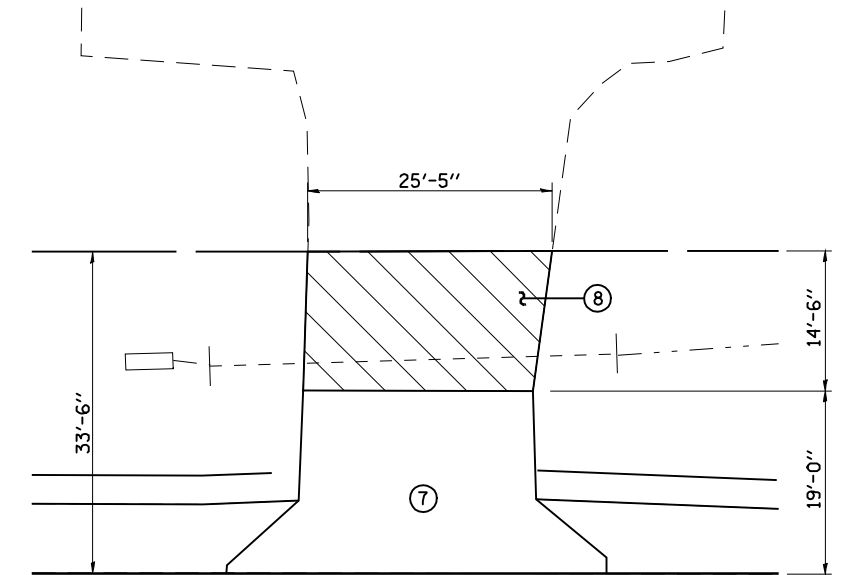
LT STA 8+47.18
MONROE ST



LT STA 9+78
MONROE ST



LT STA 50+90.35
CLOCKTOWER DRIVE



LT STA 18+58.75
MONROE ST

LEGEND

- ① PCC DRIVEWAY PAVEMENT 8"
- ② PCC SIDEWALK 4"
- ③ PCC SIDEWALK 8"
- ④ CONCRETE CURB TYPE B
- ⑤ CCC&G TYPE B 6-24
- ⑥ CLASS SI CONCRETE (OUTLET)
- ⑦ HMA SURFACE COURSE MIX "C" N50 2 1/2"
- ⑧ HMA SURFACE REMOVAL BUTT JOINT

MAXIMUM SLOPE FOR PCC DRIVEWAY
PAVEMENT THROUGH SIDEWALK
AREAS SHALL BE 2.0%.