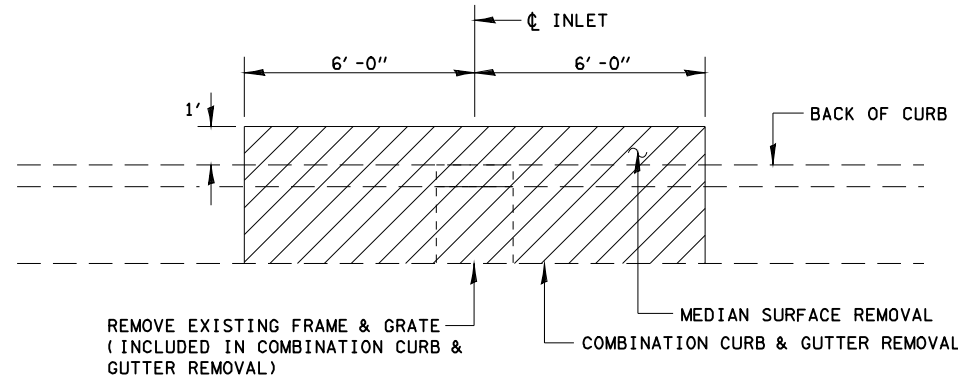
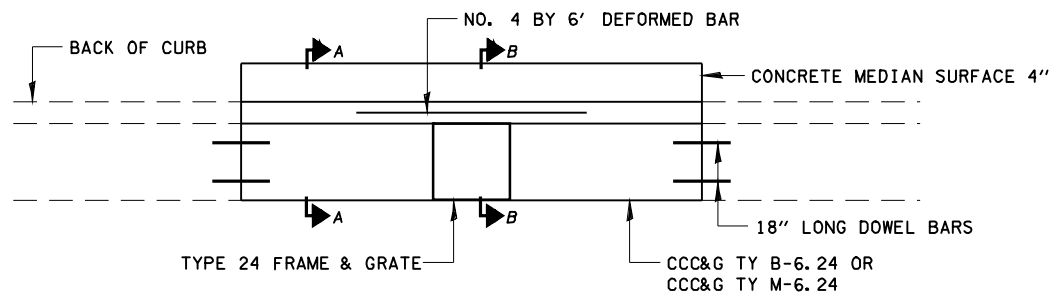


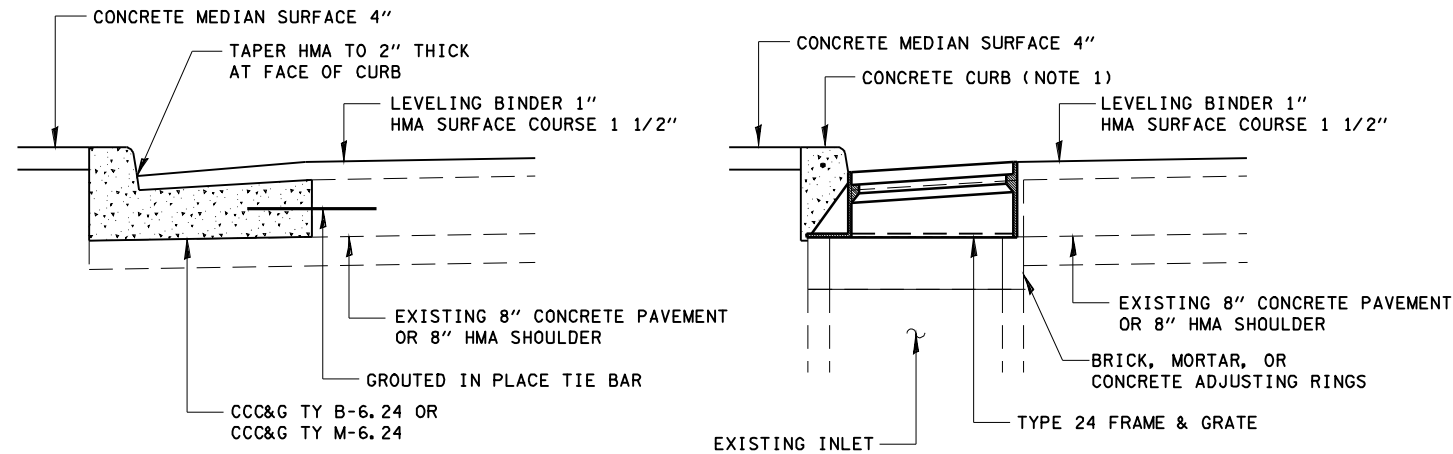
**INLETS TO BE ADJUSTED WITH NEW TYPE 24 FRAME & GRATE
EXISTING M-6.24 CURB AND GUTTER OR B-6.24 CURB AND GUTTER**



PLAN SHOWING REMOVAL



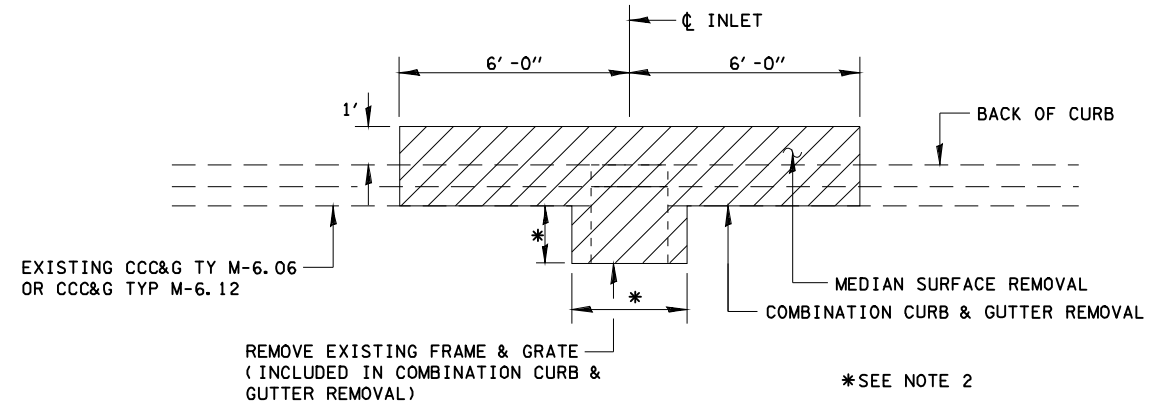
PLAN SHOWING PROPOSED



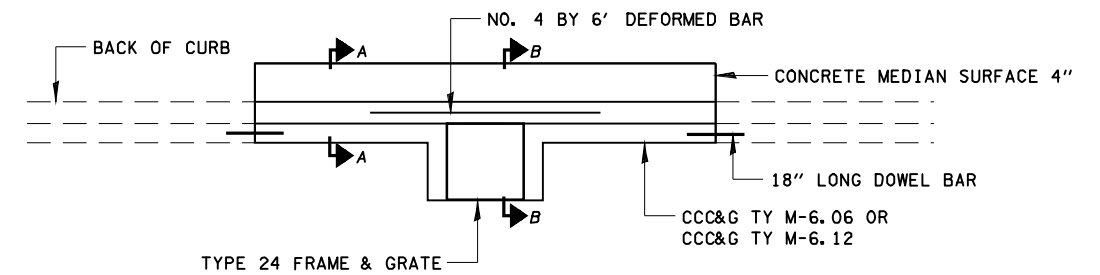
SECTION A-A

SECTION B-B

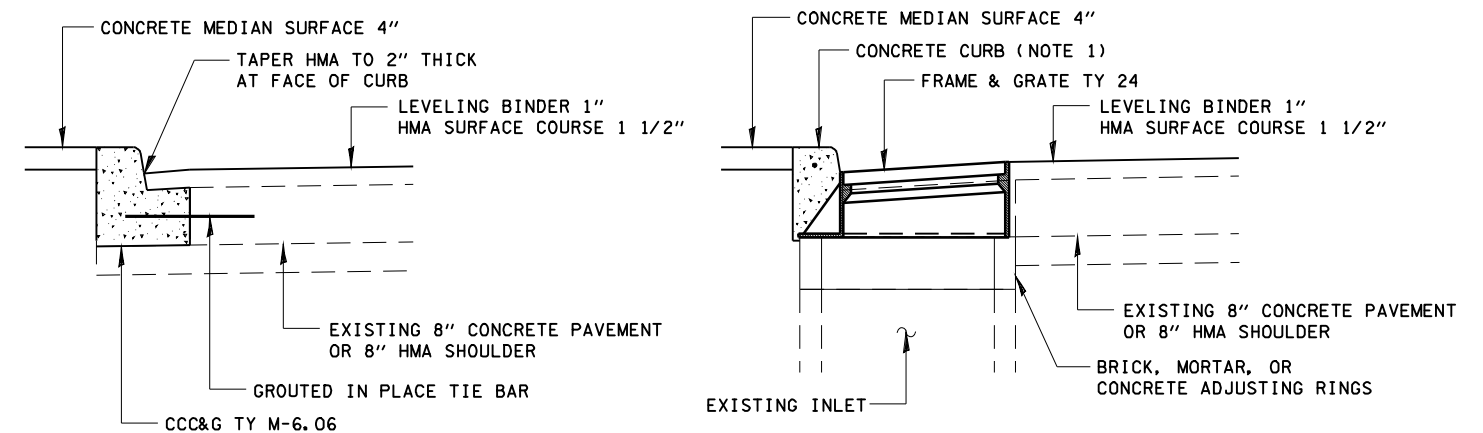
**INLETS TO BE ADJUSTED WITH NEW TYPE 24 FRAME & GRATE
EXISTING M-6.06 CURB AND GUTTER OR M-6.12 CURB AND GUTTER**



PLAN SHOWING REMOVAL



PLAN SHOWING PROPOSED



SECTION A-A

SECTION B-B

- NOTES:
1. THE HEIGHT OF THE PROPOSED CURB SHALL MATCH THE HEIGHT OF THE EXISTING CURB
2. REMOVE A MINIMUM OF 12" OF PAVEMENT OR SHOULDER FROM AROUND FRAME AND GRATE