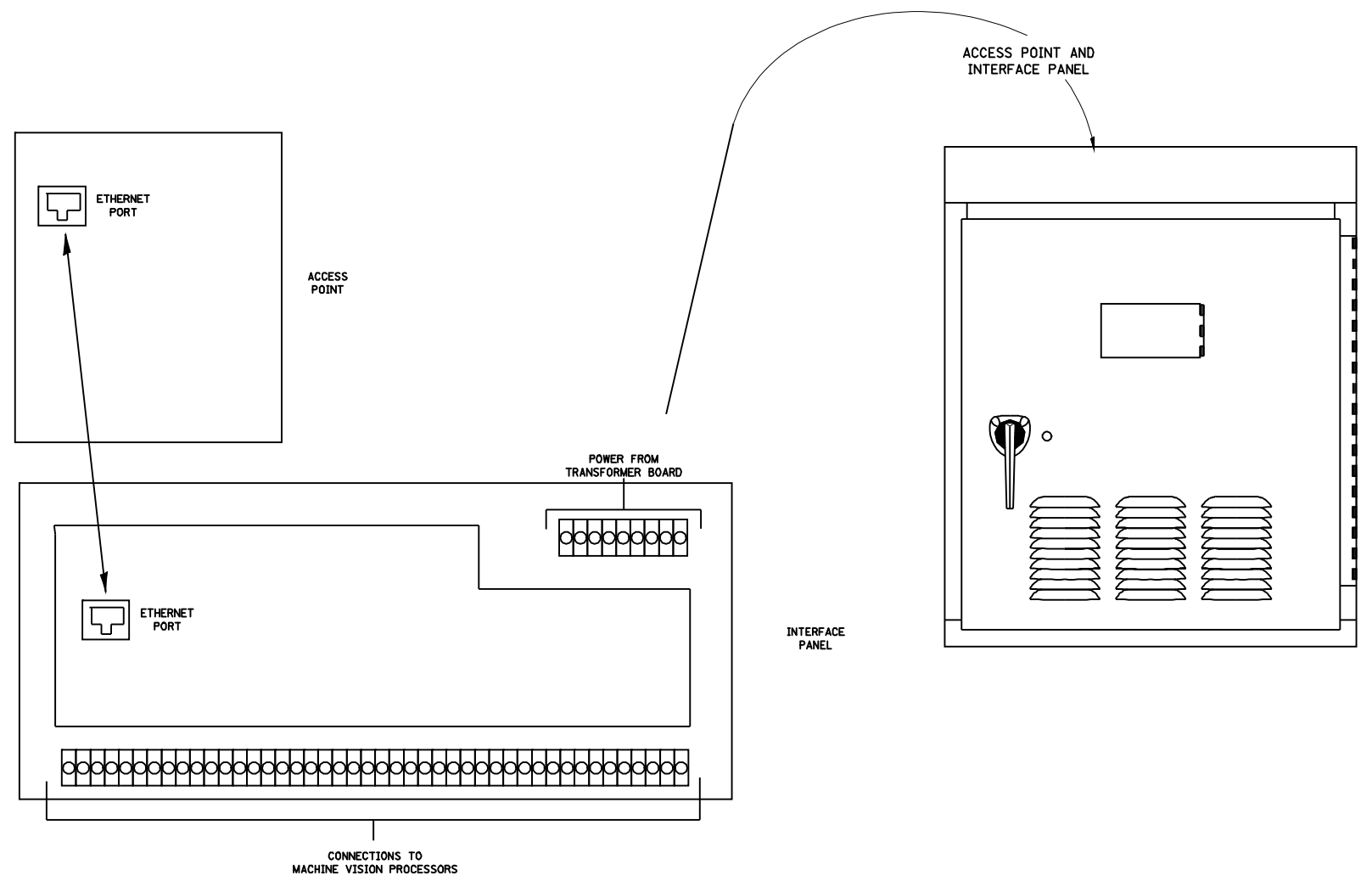
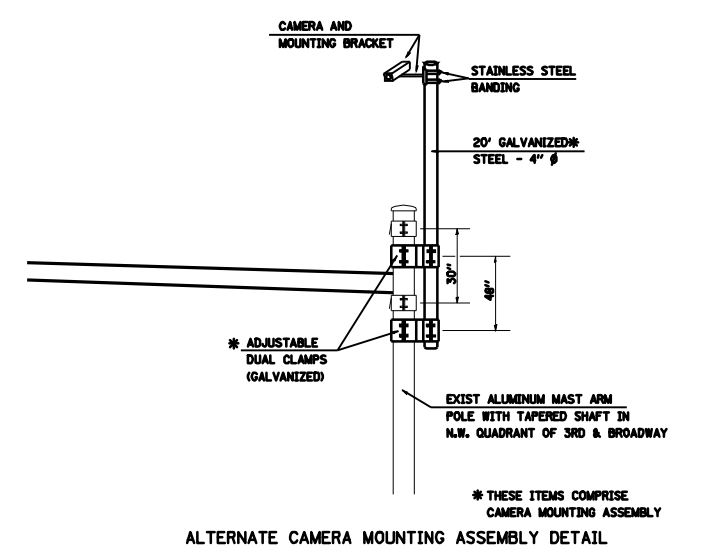
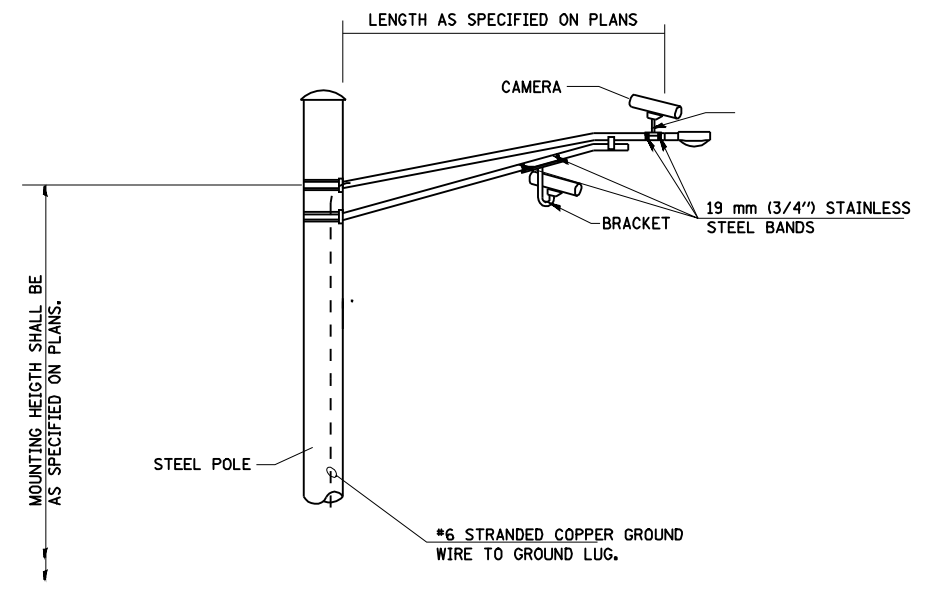


**VIDEO DETECTION SYSTEM INSTALLATION
ARM MOUNTED OR POLE MOUNTED CAMERA**



FILE NAME =	USER NAME = laughlinr1	DESIGNED -	REVISED -
et:\pwork\PWIDOT\LAUGHLINRL\0170829\0672899-TS.dgn		DRAWN -	REVISED -
	PLOT SCALE = 40.0000 ' / IN.	CHECKED -	REVISED -
	PLOT DATE = Oct-29-2009 11:58:32AM	DATE -	REVISED -

**STATE OF ILLINOIS
DEPARTMENT OF TRANSPORTATION**

TRAFFIC SIGNALS				
SCALE:	SHEET NO.	OF SHEETS	STA.	TO STA.

F.A.P. RTE.	SECTION	COUNTY	TOTAL SHEETS	SHEET NO.
662	(2-1-2,2-2)RS,TS-6	SANGAMON	244	186
CONTRACT NO. 72B99				
FED. ROAD DIST. NO.	ILLINOIS FED. AID PROJECT			