

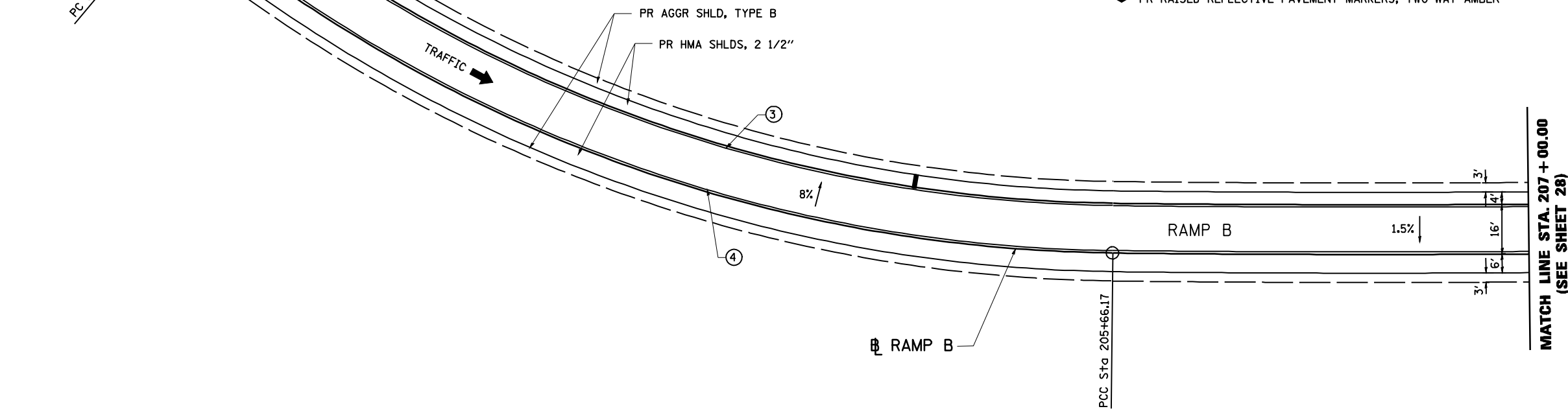


MATCH LINE STA. 202+00.00  
 (SEE SHEET 40)  
 PC Sta 202+38.12

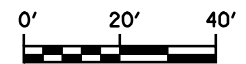
RAMP B CURVE 1  
 PI STA. =204+08.92  
 $\Delta = 39^\circ 22' 14''$  (LT)  
 $D = 12^\circ 00' 05''$   
 $R = 477.41'$   
 $T = 170.80'$   
 $L = 328.05'$   
 $E = 29.63'$   
 $e = 8.0\%$   
 $T.R. = 30.81'$   
 $S.E. RUN = 164.3'$   
 $P.C. STA. = 202+38.12$   
 $P.T. STA. = 205+66.17$   
 $S.A. STA. = 200+97.78$  TO  $202+92.89$   
 $= 205+11.40$  TO  $207+06.51$

PAVEMENT MARKING LEGEND

- ① PR PREFORMED PLASTIC PAVEMENT MARKING, TYPE B (INLAID), LINE 5" (30' SKIP, 10' DASH)
- ② PR URETHANE PAVEMENT MARKING, DOUBLE LINE 5" (SOLID YELLOW)
- ③ PR URETHANE PAVEMENT MARKING, LINE 5" (SOLID YELLOW)
- ④ PR URETHANE PAVEMENT MARKING, LINE 5" (SOLID WHITE)
- ⑤ PR URETHANE PAVEMENT MARKING, LINE 6" (SOLID WHITE)
- ⑥ PR URETHANE PAVEMENT MARKING, LINE 5" (6' SKIP, 2' DASH)
- ⑦ PR PREFORMED PLASTIC PAVEMENT MARKING, TYPE B (INLAID), LINE 8" (SOLID WHITE)
- ⑧ PR PREFORMED PLASTIC PAVEMENT MARKING, TYPE B (INLAID), LINE 12" (SOLID YELLOW)
- ⑨ PR PREFORMED PLASTIC PAVEMENT MARKING, TYPE B (INLAID), LINE 12" (SOLID WHITE)
- ⑩ PR PREFORMED PLASTIC PAVEMENT MARKING, TYPE B (INLAID), LINE 24" (SOLID WHITE)
- ⑪ PR PREFORMED PLASTIC PAVEMENT MARKING, TYPE B (INLAID), LETTERS & SYMBOLS (SOLID WHITE)
- ▷ PR RAISED REFLECTIVE PAVEMENT MARKERS, ONE-WAY CRYSTAL
- ▶ PR RAISED REFLECTIVE PAVEMENT MARKERS, ONE-WAY AMBER
- ◆ PR RAISED REFLECTIVE PAVEMENT MARKERS, TWO-WAY AMBER



MATCH LINE STA. 207+00.00  
 (SEE SHEET 28)



FILE NAME =	USER NAME = #USER#	DESIGNED - R.A.W.	REVISED -	<b>STATE OF ILLINOIS DEPARTMENT OF TRANSPORTATION</b>	<b>PLAN SHEET - RAMP B STA. 202+00 TO 207+00</b>			F.A.I. RTE. I-55	SECTION 84-1-2RS415ORS1	COUNTY SANGAMON	TOTAL SHEETS 65	SHEET NO. 46
#FILEL#		DRAWN - R.A.W.	REVISED -		SCALE: 1"=20'	SHEET NO.	OF SHEETS	STA.	TO STA.	CONTRACT NO. 72C38		
		CHECKED - J.S.A.	REVISED -							ILLINOIS FED. AID PROJECT		
		DATE - 7/24/09	REVISED -									