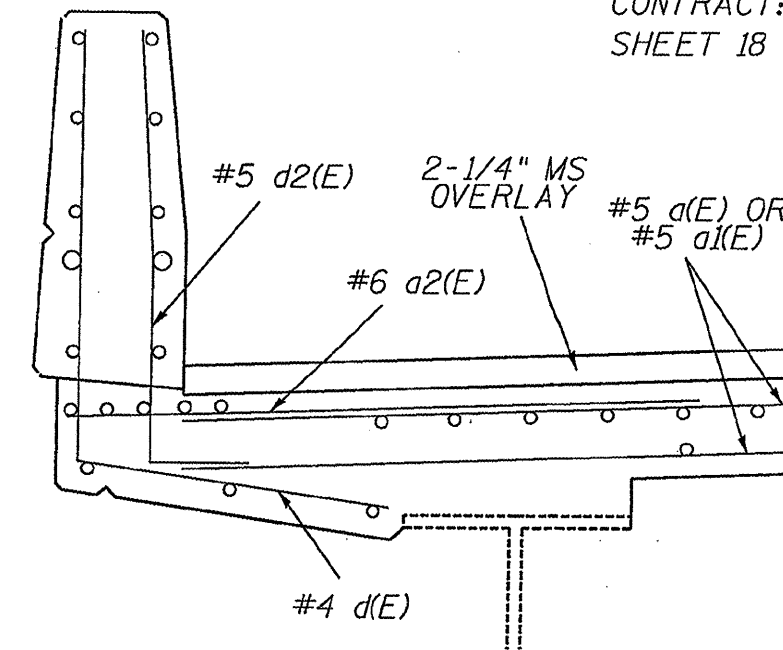
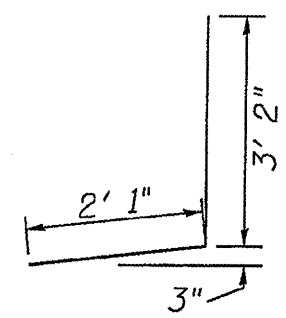


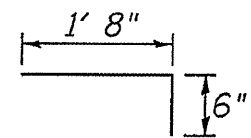
**JOINT CROSS SECTION**



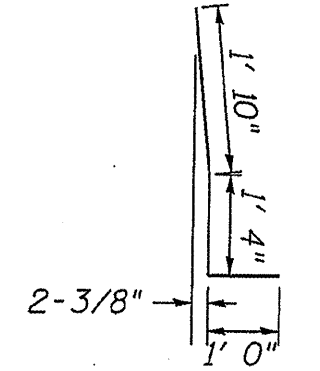
**TYPICAL PARAPET CROSS SECTION**



**d(E) BAR**



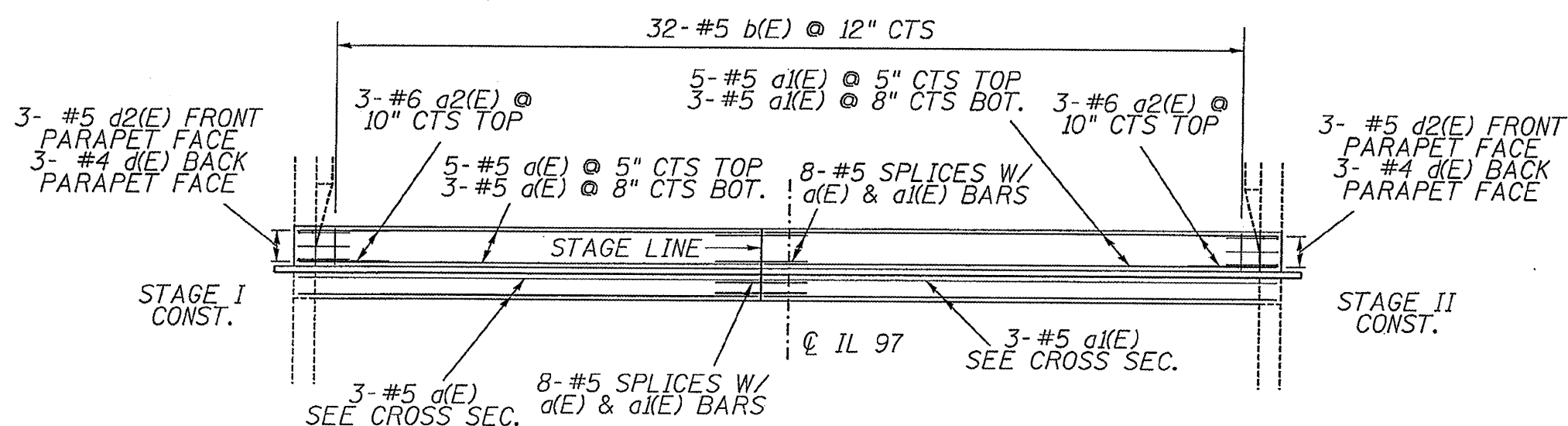
**b(E) BAR**



**d2(E) BAR**

**SN 065-0002 N & S ABUT. JTS.  
BILL OF MATERIAL**

BAR	#	SIZE	LENGTH	SHAPE	
a(E)	22	5	16' 4"	—	
a1(E)	22	5	18' 4"	—	
a2(E)	12	6	6' 0"	—	
b(E)	64	5	2' 2"	┌	
d(E)	12	4	5' 3"	└	
d2(E)	12	5	4' 2"	└	
REINFORCEMENT BARS -		EPOXY COATED			1143 LB
BAR SPLICERS					22 EACH
CONCRETE SUPERSTRUCTURE					9.8 CU YD



**JOINT PLAN**

NOT TO SCALE  
JOINT REPLACEMENT DETAILS  
SN 065-0002 N & S ABUT. JTS.  
FAP 34 (IL 97)  
SECTION (2) BRIDGE REHAB  
MENARD COUNTY