

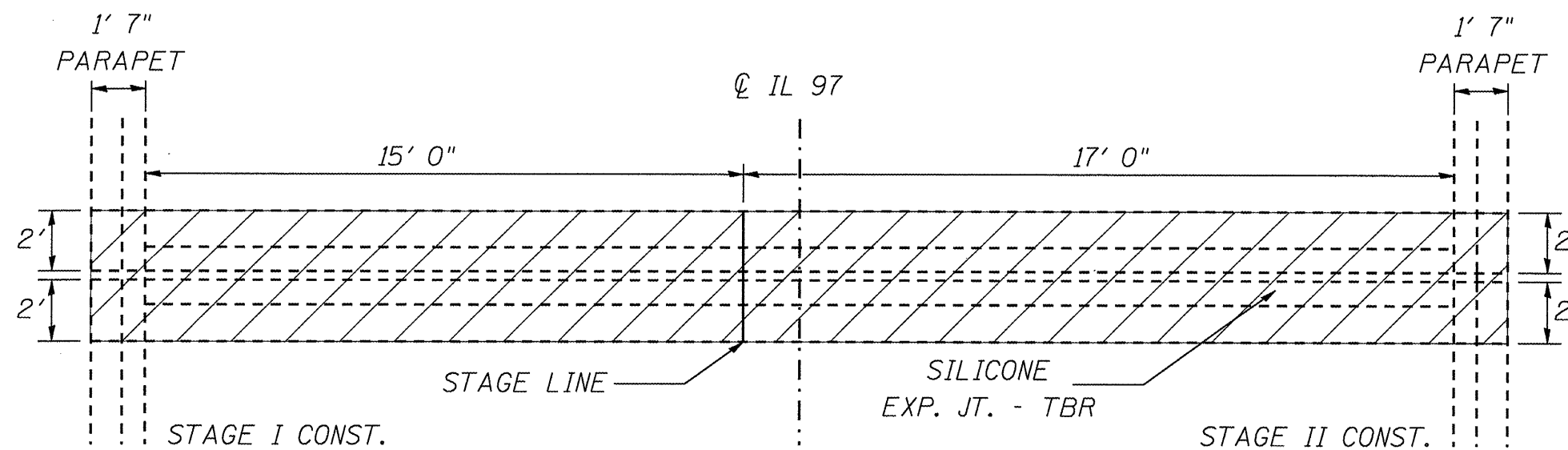
REMOVAL AREAS

SN 065-0002 BENT 4 JT.

CONCRETE REMOVAL	4.6 CU YD
------------------	-----------

JOINT CROSS SECTION

NOTE: THE COST OF JOINT REMOVAL AND DISPOSAL SHALL BE INCLUDED IN THE CONTRACTOR'S BID PRICE FOR CONCRETE REMOVAL.



JOINT PLAN

NOT TO SCALE

CONCRETE REMOVAL DETAILS
SN 065-0002 BENT 4 JT.
FAP 34 (IL 97)
SECTION (2) BRIDGE REHAB
MENARD COUNTY