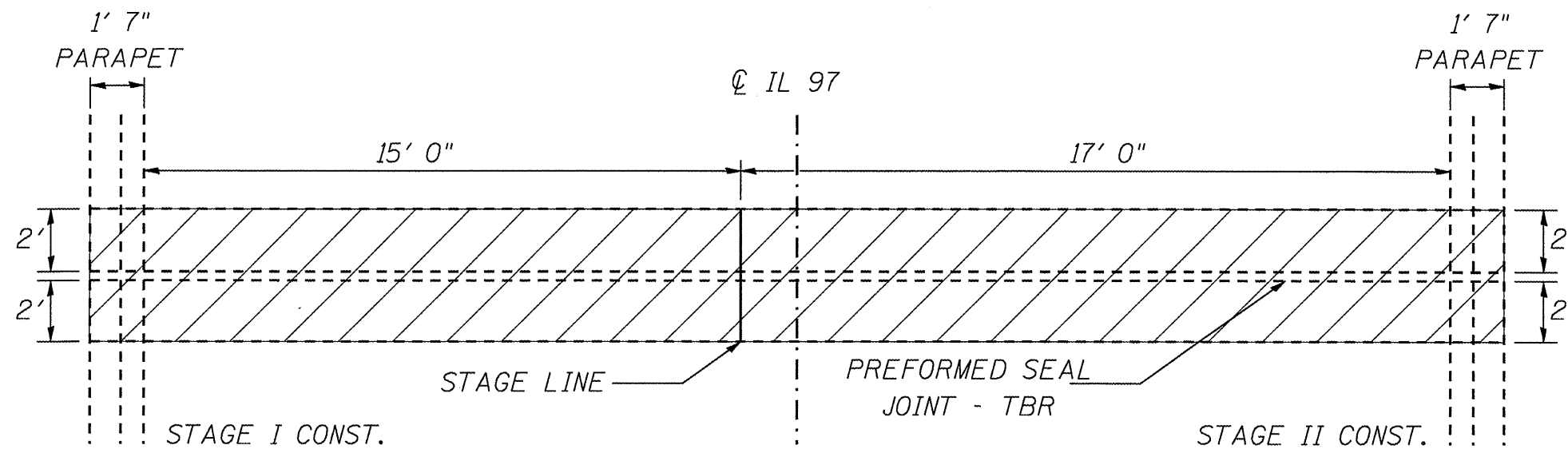


JOINT CROSS SECTION

NOTE: THE COST OF JOINT REMOVAL AND DISPOSAL SHALL BE INCLUDED IN THE CONTRACTOR'S BID PRICE FOR CONCRETE REMOVAL.



JOINT PLAN

NOT TO SCALE

CONCRETE REMOVAL DETAILS
SN 065-0003 PIER 6 JT.
FAP 34 (IL 97)
SECTION (2) BRIDGE REHAB
MENARD COUNTY