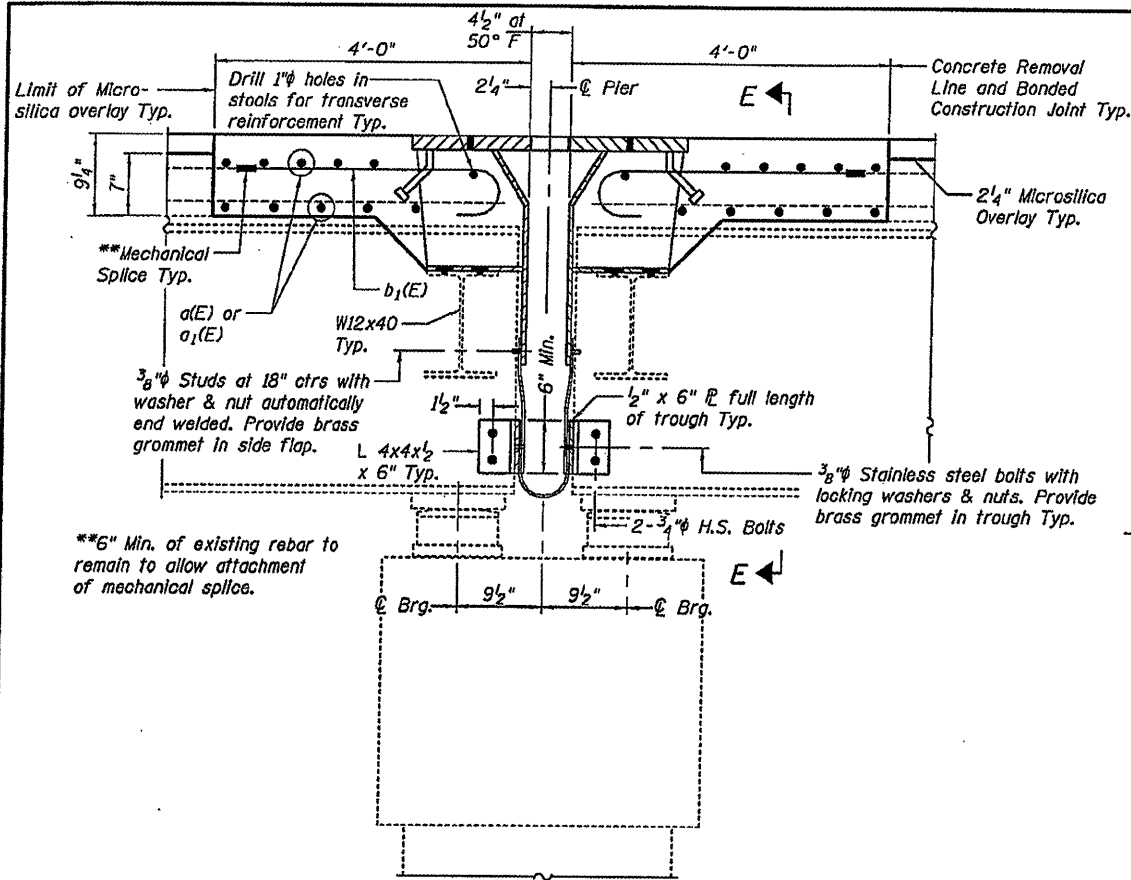
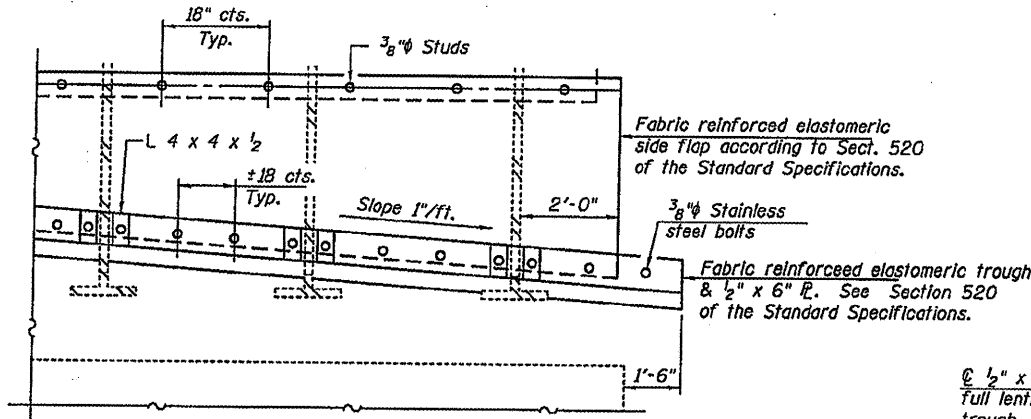


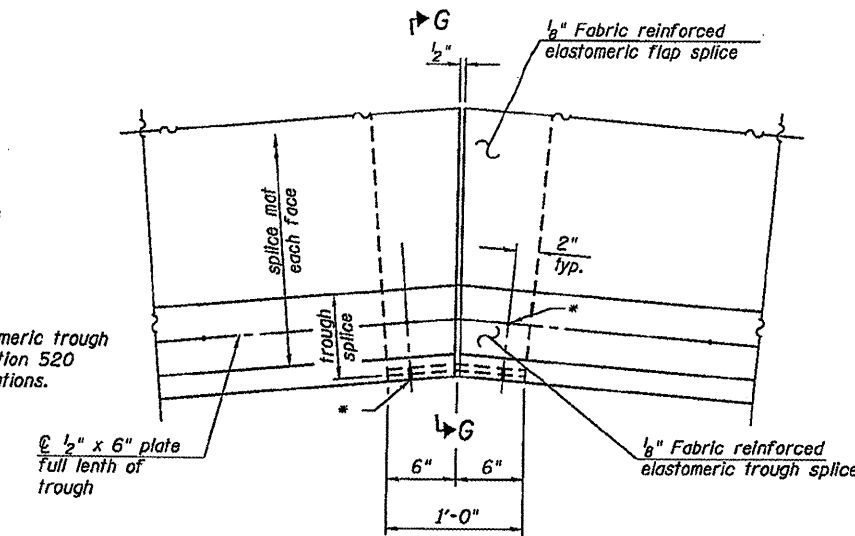
STATE OF ILLINOIS  
DEPARTMENT OF TRANSPORTATION



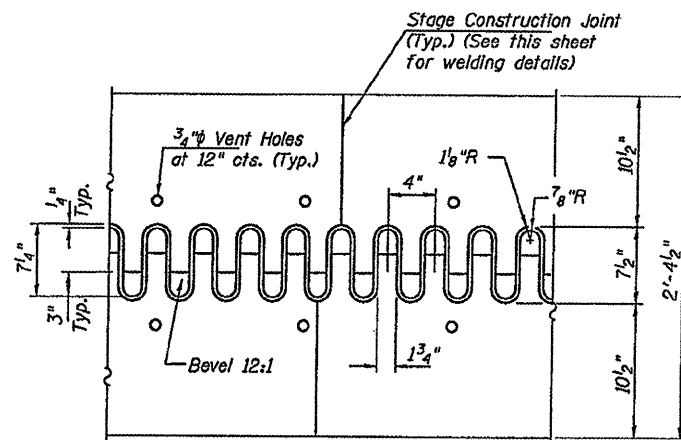
TYPICAL JOINT SECTION



SECTION E-E

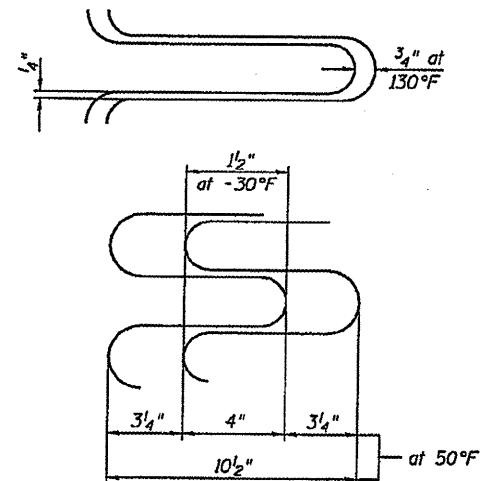


TROUGH SPLICE DETAIL

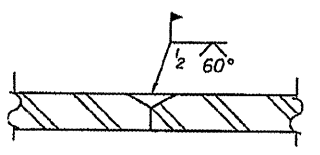


FLAME CUTTING DIAGRAM

Cut from  
P 1 5/8" x 2'-4 1/2" x 31'-11 1/2" (NTR)

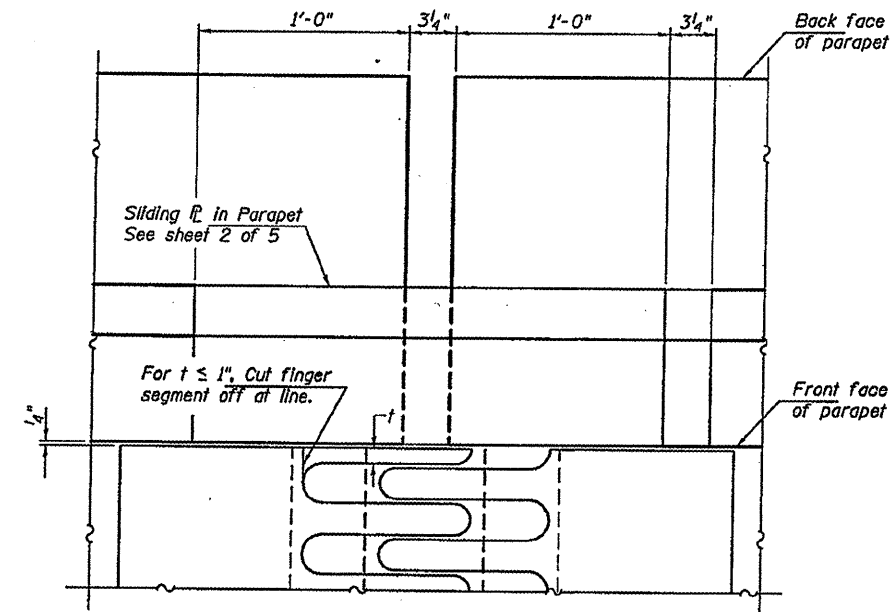


FINGER DETAIL

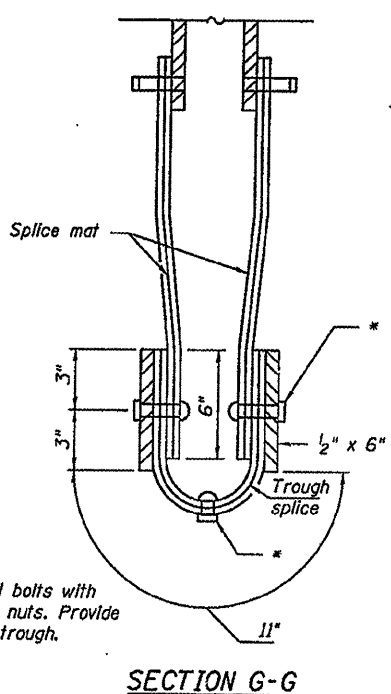


WELDING DETAIL AT  
STAGE CONSTRUCTION LINE

\* 3/8" Stainless steel bolts with locking washers & nuts. Provide brass grommet in trough.



ENLARGED PARTIAL PARAPET PLAN



SECTION G-G

DECK AND JOINT DETAILS  
SN 065-0003

DESIGNED	A.J.B.
CHECKED	V.H.V.
DRAWN	Drew Christopher
CHECKED	A.J.B. V.H.V.

EXAMINED	February 27, 2009
PASSED	Carl Proyer Ralph E. Anderson

SHEET NO. 3	F.A.P. RTE.	SECTION	COUNTY	TOTAL SHEETS	SHEET NO.
	34	(2) Bridge Rehab	Menard	29	25
5 SHEETS	FED. ROAD DIST. NO.		ILLINOIS FED. AID PROJECT	CONTRACT NO. 72C71	