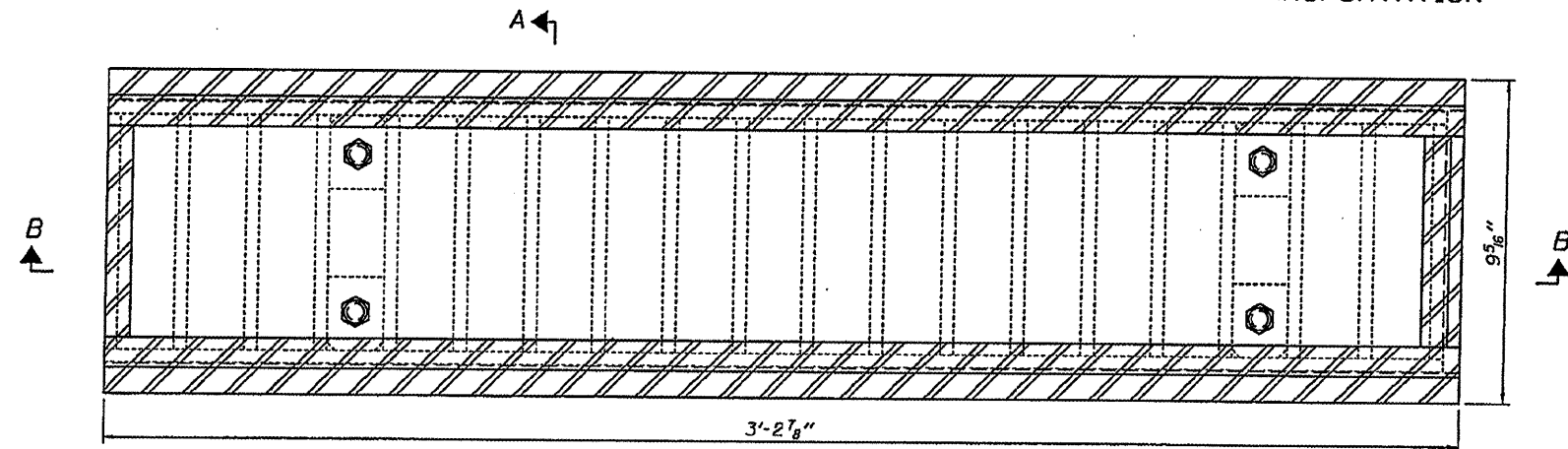
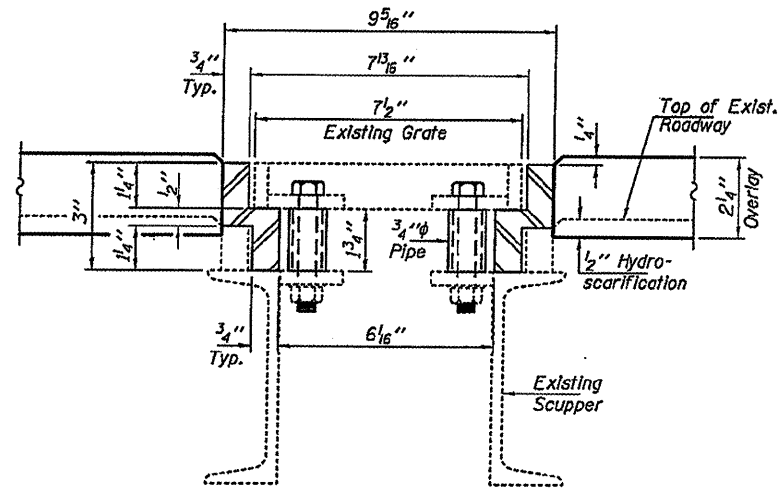


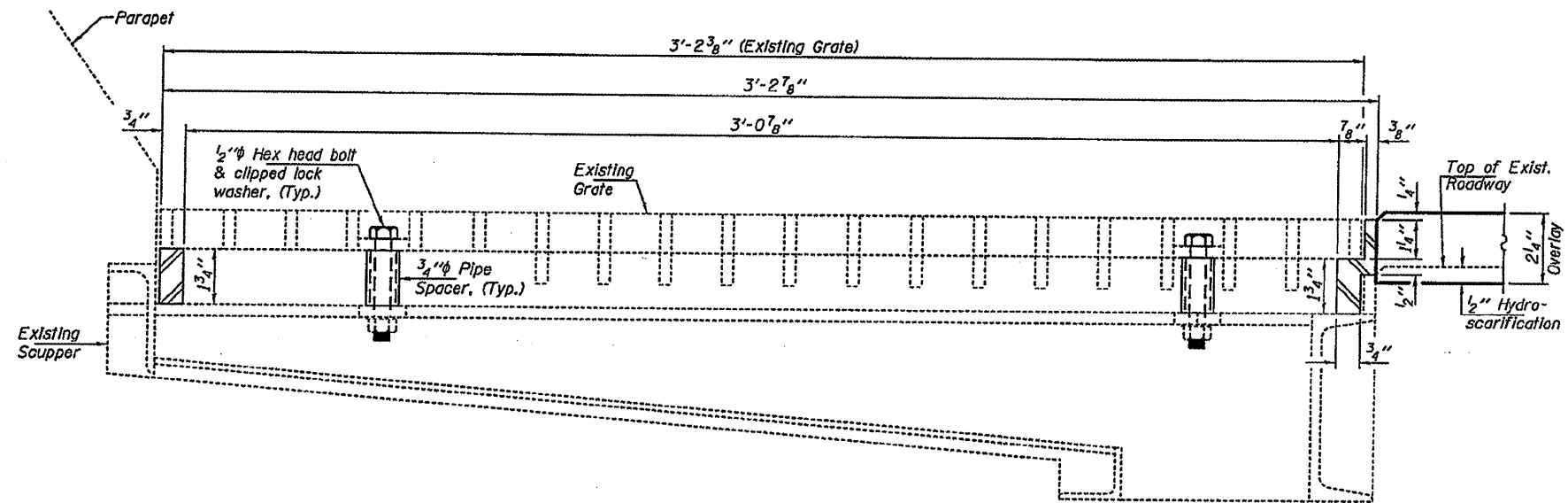
STATE OF ILLINOIS  
DEPARTMENT OF TRANSPORTATION



PLAN



SECTION A-A



SECTION B-B

- Adjusting Scupper Ring

NOTES

See sheet of for scupper locations.  
All structural steel shall be AASHTO M270 Grade 36. The adjusting scupper ring and 3/4" pipe sleeve spacers shall be galvanized.  
Bolts shall be 1/2" AASHTO M164 Type 1, mechanically galvanized.  
Plan dimensions and details relative to existing plans are subject to nominal construction variations. The Contractor shall field verify existing dimensions and details affecting new construction and make necessary approved adjustments prior to construction or ordering of materials. Such variations shall not be cause for additional compensation for a change in scope of the work, however, the Contractor will be paid for the quantity actually furnished based at the unit price bid for the work.  
Shop plans for proposed adjusting scupper ring shall be submitted for approval prior to fabrication.  
Contractor shall ensure that no damage is done to existing grates to be reused.  
Cost of all labor and materials necessary to remove existing grates, clean existing scuppers, install adjusting scupper rings and reinstalling grates is included in the cost per unit each for Adjusting Drainage Scupper, Type A.

BILL OF MATERIAL

ITEM	UNIT	QUANTITY
Adjusting Drainage Scupper, Type A	Each	16

ADJUSTING DRAINAGE  
SCUPPER RING DETAILS  
SN 065-0003

DESIGNED	VHV
CHECKED	DAB
DRAWN	Kyle M. Steffen
CHECKED	VHV DAB

February 27, 2009  
EXAMINED *Carl Perry*  
ENGINEER OF STRUCTURAL SERVICES  
PASSED *Ralph E. Anderson*  
ENGINEER OF BRIDGES AND STRUCTURES

SHEET NO. 5A	F.A.P. RTE.	SECTION	COUNTY	TOTAL SHEETS	SHEET NO.
	34			(2) Bridge Rehab	
5 SHEETS	CONTRACT NO.		72C71		
FED. ROAD DIST. NO.		ILLINOIS FED. AID PROJECT			