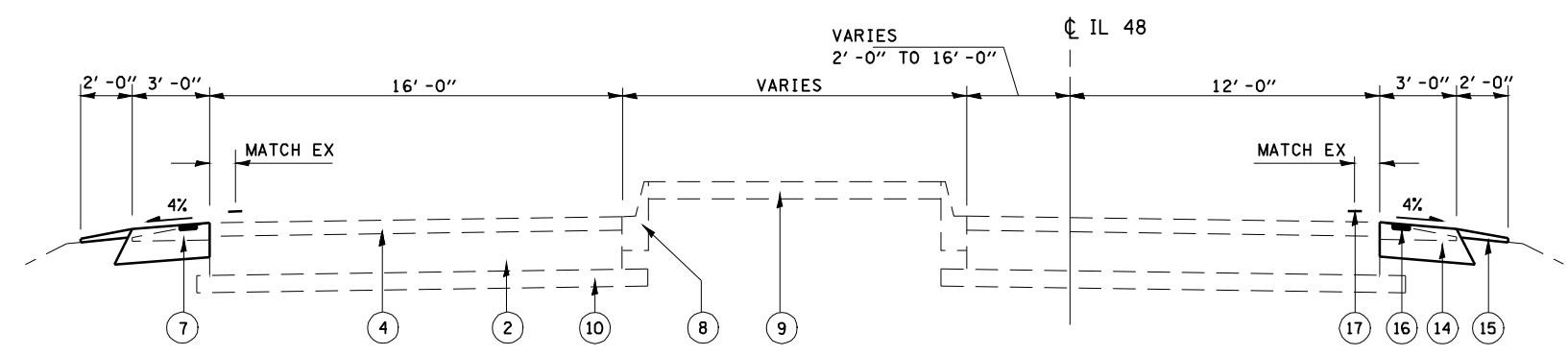
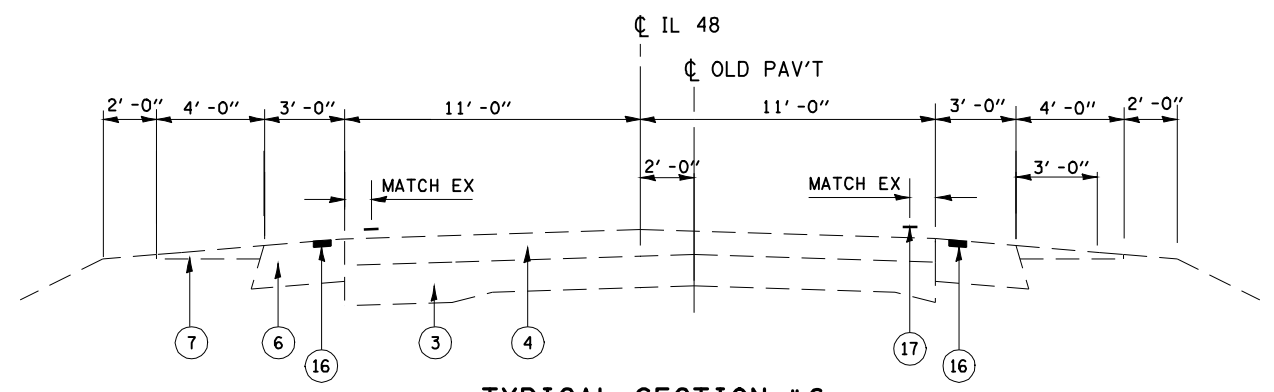


TYPICAL SECTION #4
FA 714
 STA. 48+00.00 TO STA. 50+59.00



TYPICAL SECTION #5
FA 714
 STA. 37+67.98 TO STA. 48+00.00



TYPICAL SECTION #6
FA 714
 STA. 227+31.10 TO STA. 227+41.20
 STA. EQ.: STA. 227+41.20 BK = STA. 64+00.00 AH
 STA. 64+00.00 TO STA. 64+20.00

LEGEND

- ① EXISTING 9" P. C. C. PAVEMENT
- ② EXISTING P. C. C. BASE COURSE 9"
- ③ EXISTING P. C. C. WIDENING
- ④ EXISTING HOT-MIX ASPHALT OVERLAY
- ⑤ EXISTING GUTTER, TYPE A
- ⑥ EXISTING HOT-MIX ASPHALT SHOULDER
- ⑦ EXISTING AGGREGATE SHOULDER, TYPE B
- ⑧ EXISTING CURB AND GUTTER
- ⑨ EXISTING CONCRETE MEDIAN SURFACE, 4"
- ⑩ EXISTING SUB-BASE GRANULAR MATERIAL

- ⑭ PROPOSED HOT-MIX ASPHALT SHOULDER 8"
- ⑮ PROPOSED AGGREGATE SHOULDERS, TYPE B (WEDGE)
- ⑯ PROPOSED SHOULDER RUMBLE STRIP
- ⑰ PROPOSED THERMO PAVEMENT MARKING, 5"

FILE NAME =	USER NAME = laughlinr1	DESIGNED -	REVISED -
et\pwork\PWIDOT\LAUGHLINRL\0128096\0672C78-sh-t-typical.dgn		DRAWN -	REVISED -
	PLOT SCALE = 7.1524' / IN.	CHECKED -	REVISED -
	PLOT DATE = Oct-02-2009 09:06:35AM	DATE -	REVISED -

STATE OF ILLINOIS
DEPARTMENT OF TRANSPORTATION

TYPICAL CROSS SECTIONS			
SCALE: NA	SHEET NO.	OF SHEETS	STA. TO STA.

F.A.P. RTE.	SECTION	COUNTY	TOTAL SHEETS	SHEET NO.
714	*	CHRISTIAN	18	5
CONTRACT NO. 72C78				
ILLINOIS FED. AID PROJECT				

* D6 SHLDR RUMBLE STRIPS 2010