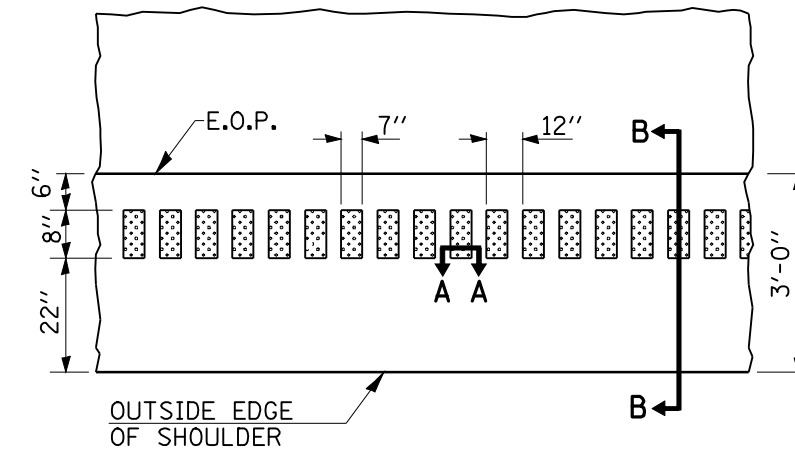
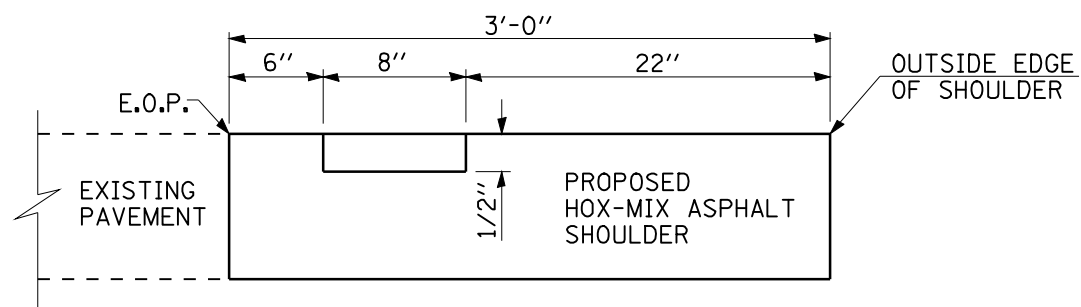


TAPER DETAIL FOR PROPOSED HOT-MIX ASPHALT SHOULDERS

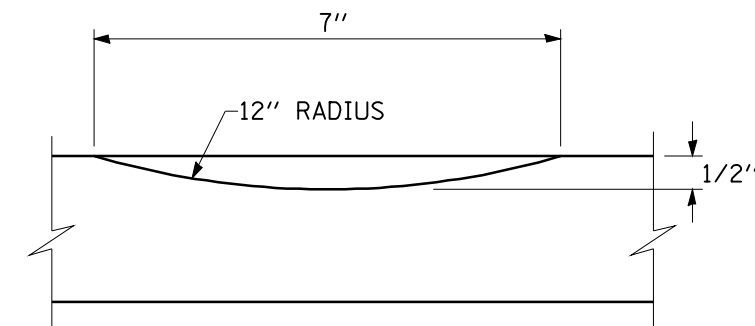
(TRANSITION WIDTH FOR PROPOSED HMA SHOULDERS FROM 1'-0" TO 3'-0" WITHIN 10'-0")



PLAN VIEW



SECTION B-B



SECTION A-A

FILE NAME =	USER NAME = laughlinr1	DESIGNED -	REVISED -
e:\pwork\pwork\LAUGHLINRL\0128096\0672C78-sht-details.dgn		DRAWN -	REVISED -
		CHECKED -	REVISED -
		DATE -	REVISED -

**STATE OF ILLINOIS
DEPARTMENT OF TRANSPORTATION**

RUMBLE STRIP DETAILS

SCALE: NONE SHEET NO. OF SHEETS STA. TO STA.

* D-6 SHLDR RUMBLE STRIPS 2010

F.A.P. RTE.	SECTION	COUNTY	TOTAL SHEETS	SHEET NO.
714	*	CHRISTIAN	18	18
CONTRACT NO. 72C78			ILLINOIS FED. AID PROJECT	