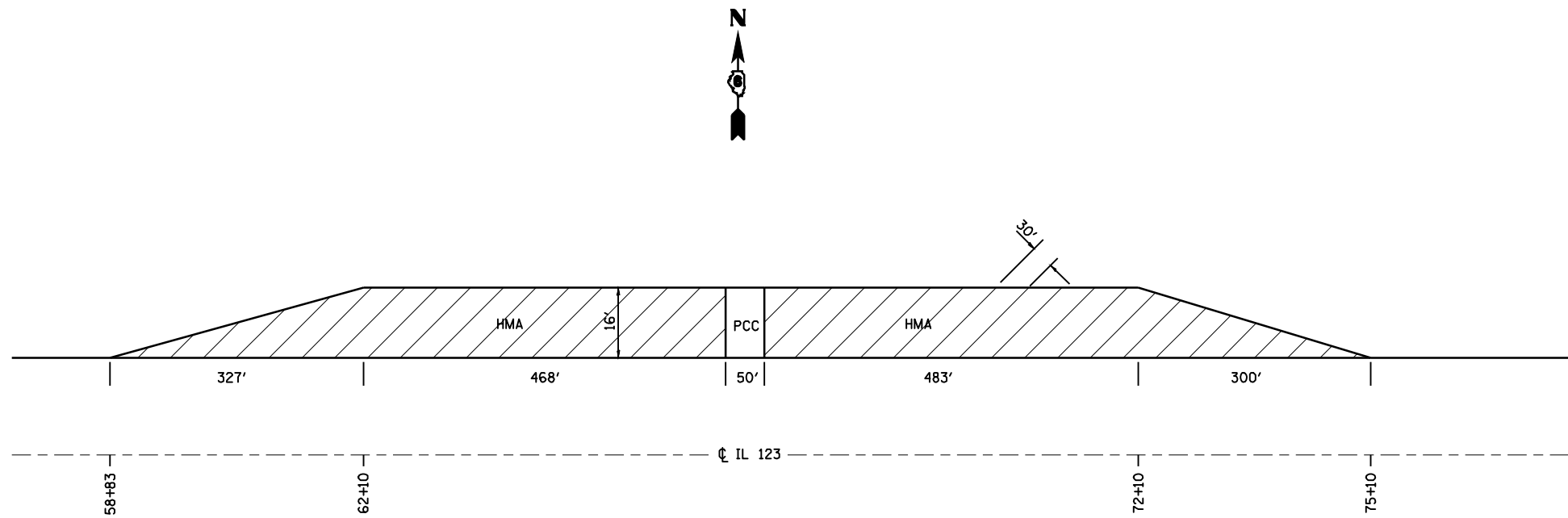


MONTGOMERY COUNTY
IL 48 - WEIGH AREA
LOCATION #59

SCOPE OF WORK: STRIPE DIAGONALS ON WEIGH PAD



SANGAMON COUNTY
IL 123 - WEIGH AREA
LOCATION #60

FILE NAME =	USER NAME = laughlinr1	DESIGNED -	REVISED -
er:\pwork\pwidot\LAUGHLINRL\0150723\0672C99-sht-details.dgn		DRAWN -	REVISED -
		CHECKED -	REVISED -
		DATE -	REVISED -

**STATE OF ILLINOIS
DEPARTMENT OF TRANSPORTATION**

PORTABLE SCALE PAD STRIPING DETAILS			
SCALE:	SHEET NO.	OF SHEETS	STA. TO STA.

F.A. RTE.	SECTION	COUNTY	TOTAL SHEETS	SHEET NO.
VAR	D-6 PAVT MARKING 2010	VARIOUS	37	36
			CONTRACT NO. 72C99	
ILLINOIS FED. AID PROJECT				