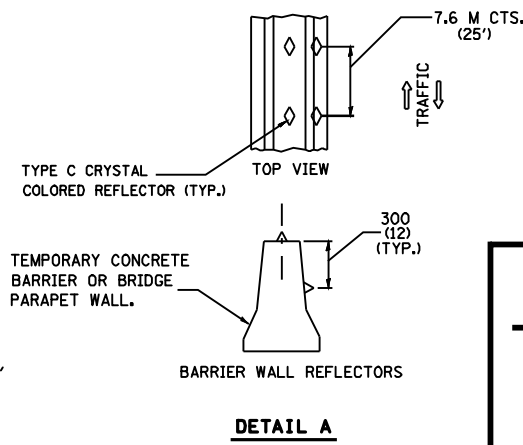
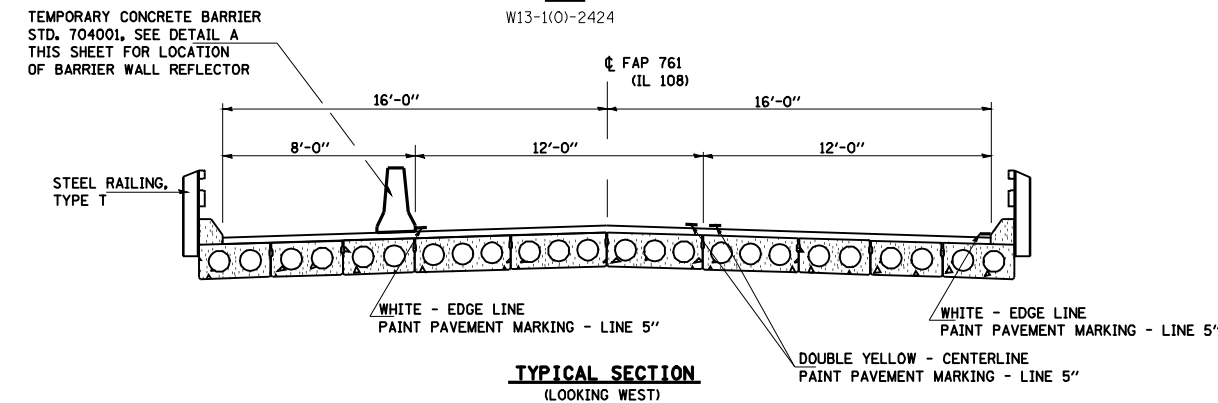
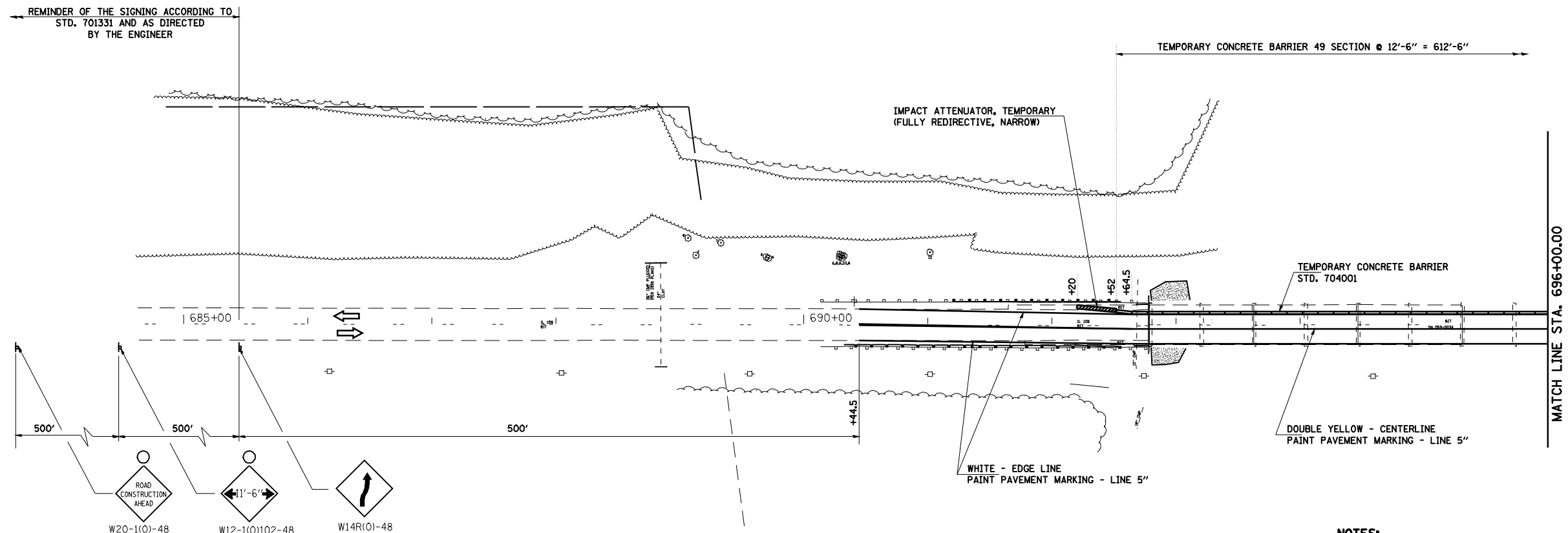


NOTE:
THIS SHEET FOR INFORMATION ONLY

- SYMBOLS**
- ⊞ SIGN ON PORTABLE OR PERMANENT SUPPORT
 - ⊙ DRUM WITH STEADY BURNING LIGHT
 - ▬ TEMPORARY CONCRETE BARRIER WALL
 - ▬▬▬ IMPACT ATTENUATOR, NARROW



NOTES:
ALL TRAFFIC CONTROL DEVICES PLACED UNDER THIS CONTRACT SHALL BE LEFT IN PLACE AT COMPLETION OF THIS PROJECT AND SHALL BECOME PROPERTY OF THE STATE OF ILLINOIS. ALL TRAFFIC CONTROL DEVICES SHALL BE NEW WHEN INSTALLED AND SHALL BE IN GOOD CONDITION AT THE COMPLETION OF THE PROJECT. ANY DEVICES THAT ARE DAMAGED DURING THE PROJECT OR IN LESS THAN GOOD CONDITION SHALL BE REPLACED AT THE CONTRACTOR'S EXPENSE.

NOTE:
EXISTING TRAFFIC CONTROL IN PLACE AT THIS TIME TO REMAIN IN PLACE DURING AND AFTER REPAIRS ARE COMPLETED TO THE STRUCTURE.

FILE NAME =	USER NAME = laughlinr1	DESIGNED -	REVISED -	STATE OF ILLINOIS DEPARTMENT OF TRANSPORTATION	EXISTING TRAFFIC CONTROL				F.A.P. RTE.	SECTION	COUNTY	TOTAL SHEETS	SHEET NO.
e:\pwork\pwork\LAUGHLINRL\0162470\0672D27-shsStage_1108.dgn		DRAWN -	REVISED -		761	107BR-7	MACOUPIN	8	4				
PLOT SCALE = 100.0000' / IN.		CHECKED -	REVISED -		CONTRACT NO. 72D27				ILLINOIS FED. AID PROJECT				
PLOT DATE = Oct-13-2009 11:19:30AM		DATE -	REVISED -		SCALE:	SHEET NO.	OF SHEETS	STA.	TO STA.				