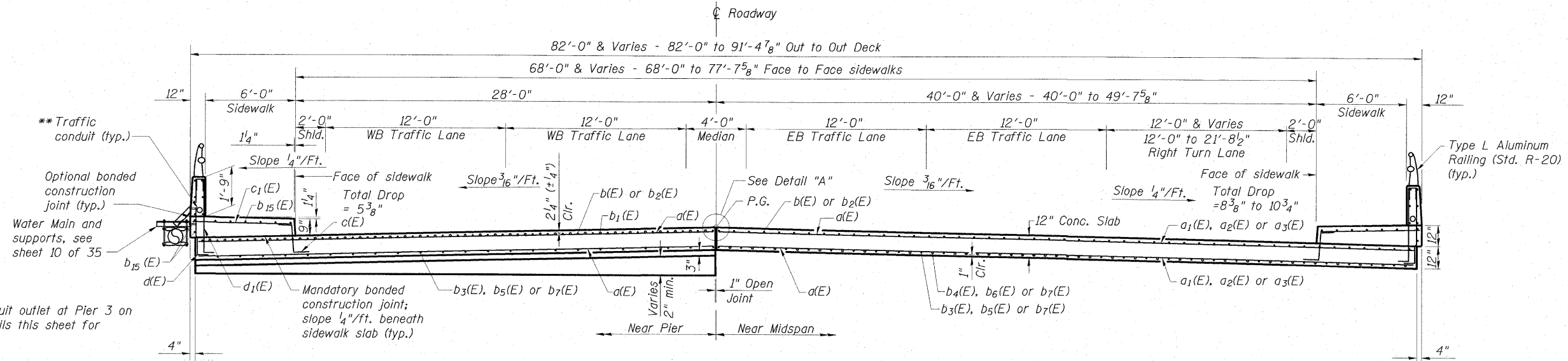
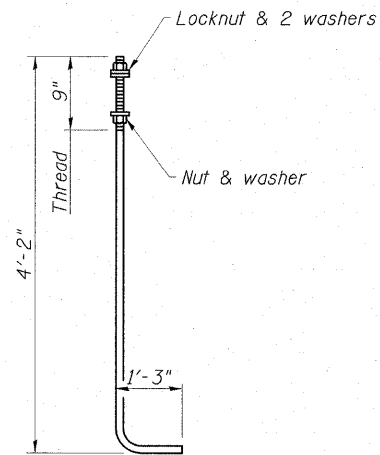
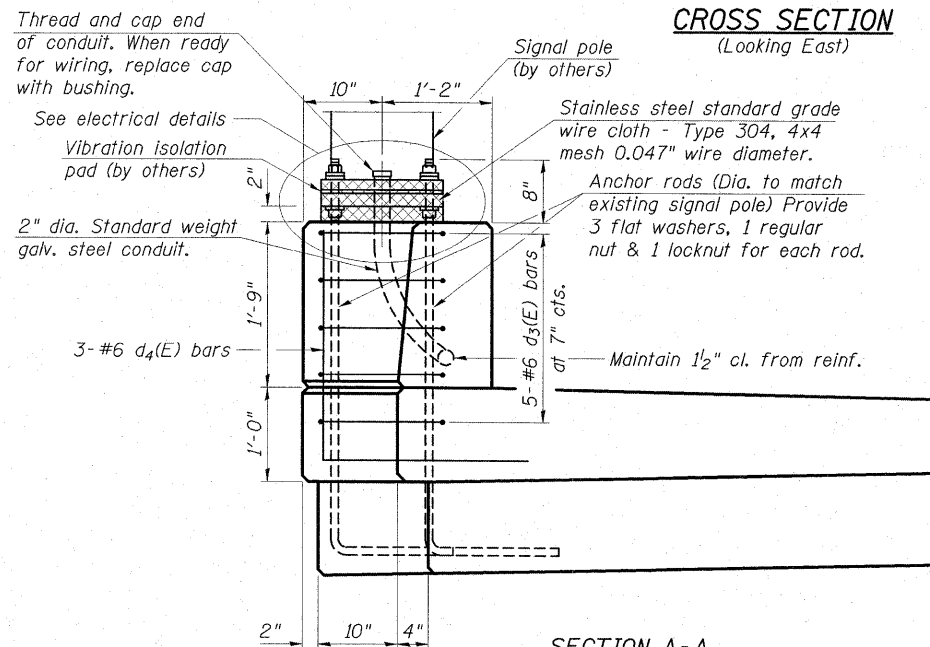


STATE OF ILLINOIS
DEPARTMENT OF TRANSPORTATION



**Provide traffic conduit outlet at Pier 3 on North Side; see details this sheet for south side

CROSS SECTION
(Looking East)

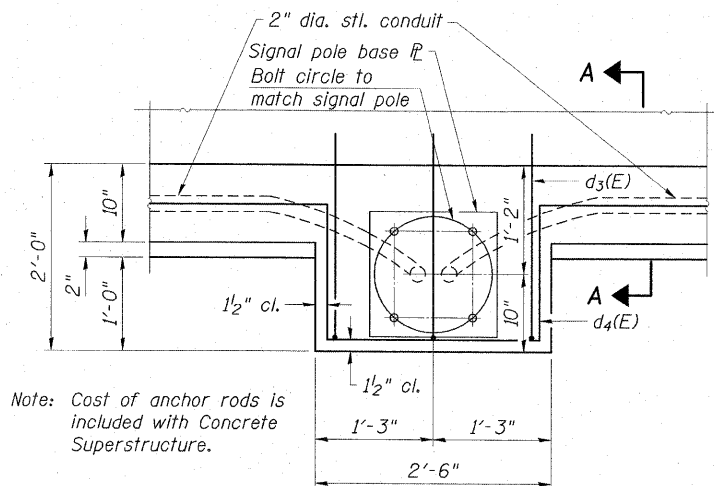


ANCHOR ROD

Diameter to match existing signal pole.
(ASTM F 1554 Grade 105)

SECTION A-A

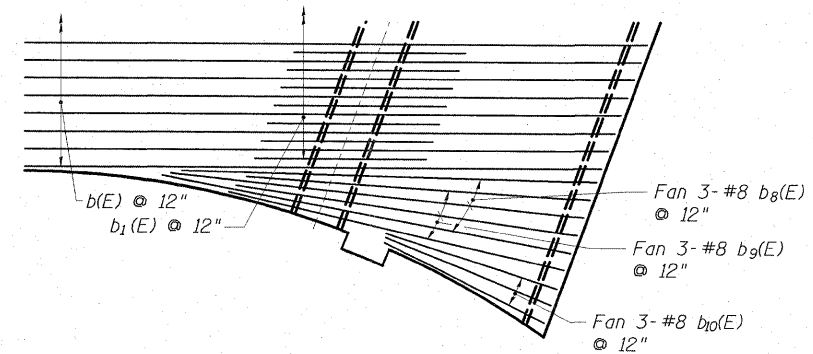
(Bridge slab shown; Approach slab similar)



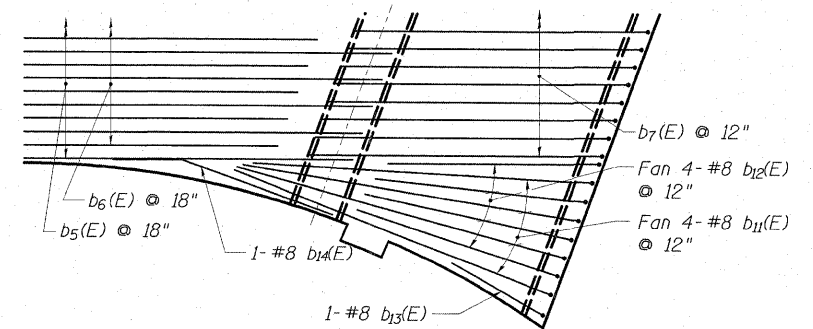
Note: Cost of anchor rods is included with Concrete Superstructure.

PLAN

SIGNAL POLE MOUNTED ON CONCRETE PARAPET



TOP REINFORCEMENT PLAN
(Over SE Curb)



BOTTOM REINFORCEMENT PLAN
(Over SE Curb)

SUPERSTRUCTURE DETAILS
STRUCTURE NO. 015-0064

ESCA
CONSULTANTS, INC.

DESIGNED BY:	DAJ	03/09
DRAWN BY:	RJT	03/09
CHECKED BY:	MTD	03/09
APPROVED BY:	RDP	08/09

SHEET NO. 9 33 SHEETS	F.A.P. RTE.	SECTION	COUNTY	TOTAL SHEETS	SHEET NO.
	325	(19VBR)BR	COLES	92	33
			CONTRACT NO. 74149		
FED. ROAD DIST. NO.		ILLINOIS FED. AID PROJECT			