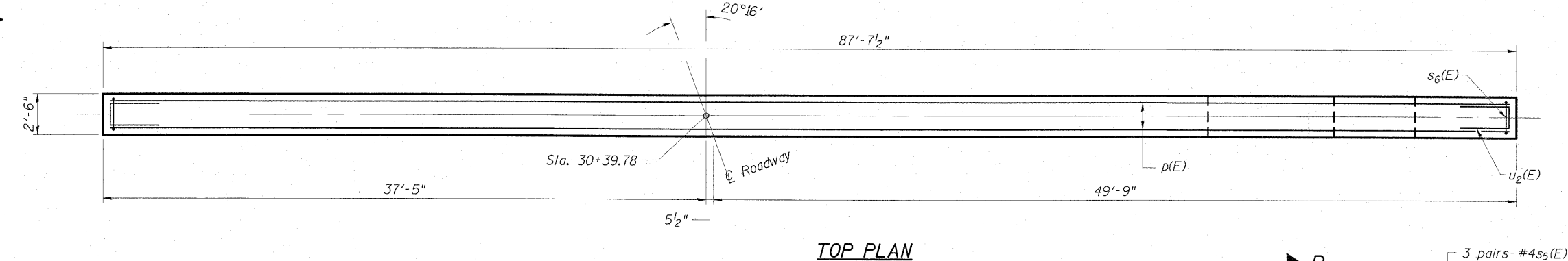
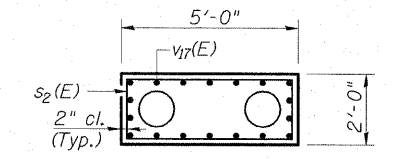


0150064-74149-23-Rev-1.dgn 7/31/2009 12:37:15 PM HAS

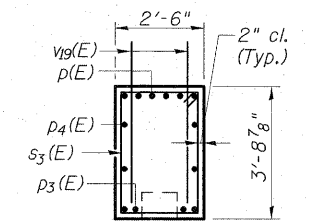
STATE OF ILLINOIS
DEPARTMENT OF TRANSPORTATION



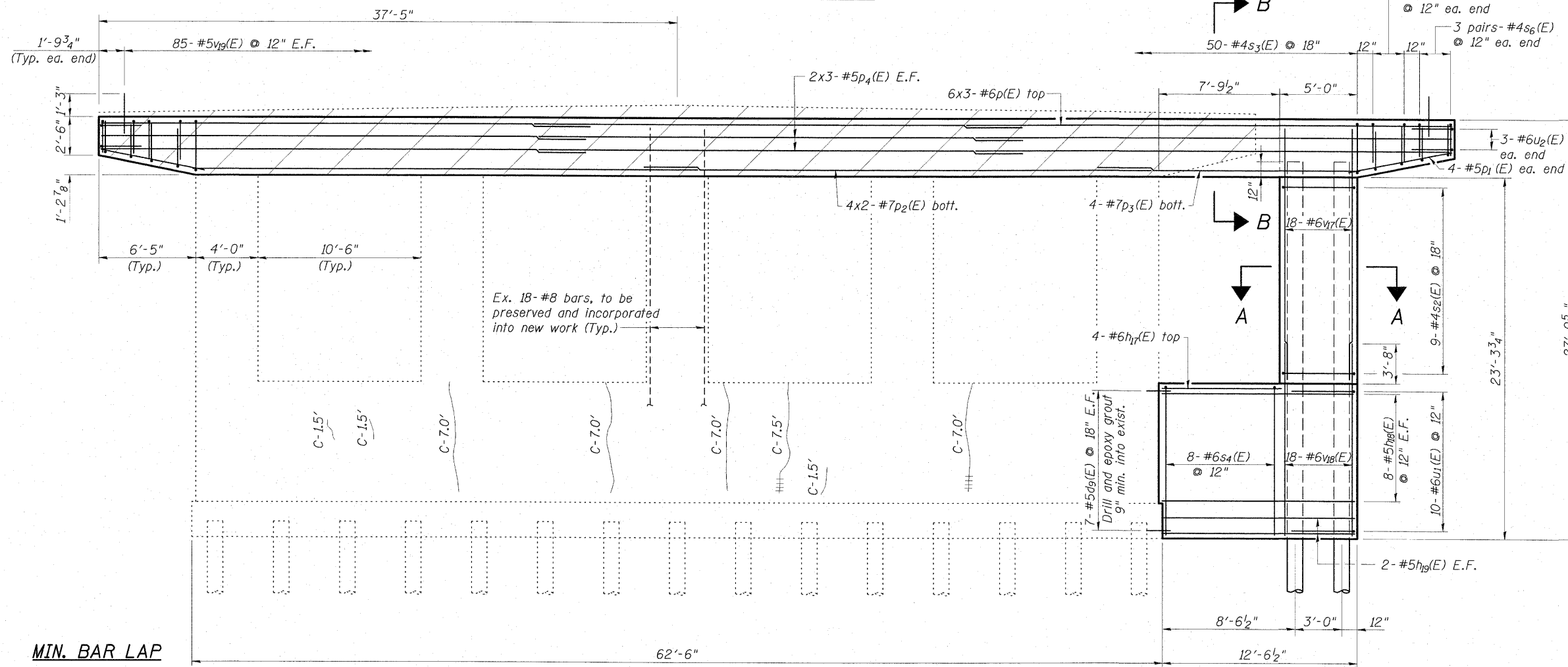
TOP PLAN



SECTION A-A



SECTION B-B



WEST ELEVATION

(See sheet 26 of 35 for Repairs to East Elevation)

MIN. BAR LAP

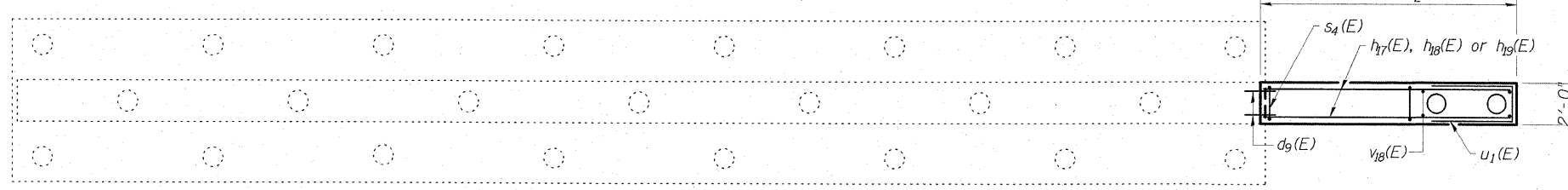
#5	3'-0"
#6	3'-7"
#7	3'-5"

PILE DATA
Type: Metal Shell 12"φ x 0.25" wall
Nominal Required Bearing: 300 kips
Allowable Resistance Available: 100 kips
Estimated Length: 84'
No. Production Piles: 2
No. Test Piles: 0

ESCA
CONSULTANTS, INC.

DESIGNED BY:	RDP/DAJ	11/08
DRAWN BY:	DWH/cj	11/08
CHECKED BY:	RDP	03/09
APPROVED BY:	RDP	08/09

REPAIR LEGEND
Inspection Date: 03/03/09
C-6' Crack to be epoxy injected



FOOTING PLAN

- NOTES**
- For Bill of Material and Bar Bending Details see sheet 26 of 35.
 - For pile details see sheet 31 of 35.
 - Bars indicated thus: 6x3-#6 etc. Indicates 6 lines of bars with 3 lengths per line.

PIER 1
STRUCTURE NO. 015-0064

SHEET NO. 23 35 SHEETS	F.A.P. RTE.	SECTION	COUNTY	TOTAL SHEETS	SHEET NO.
	325	(19VBR)BR	COLES	92	47
FED. ROAD DIST. NO.			ILLINOIS FED. AID PROJECT		
CONTRACT NO. 74149					