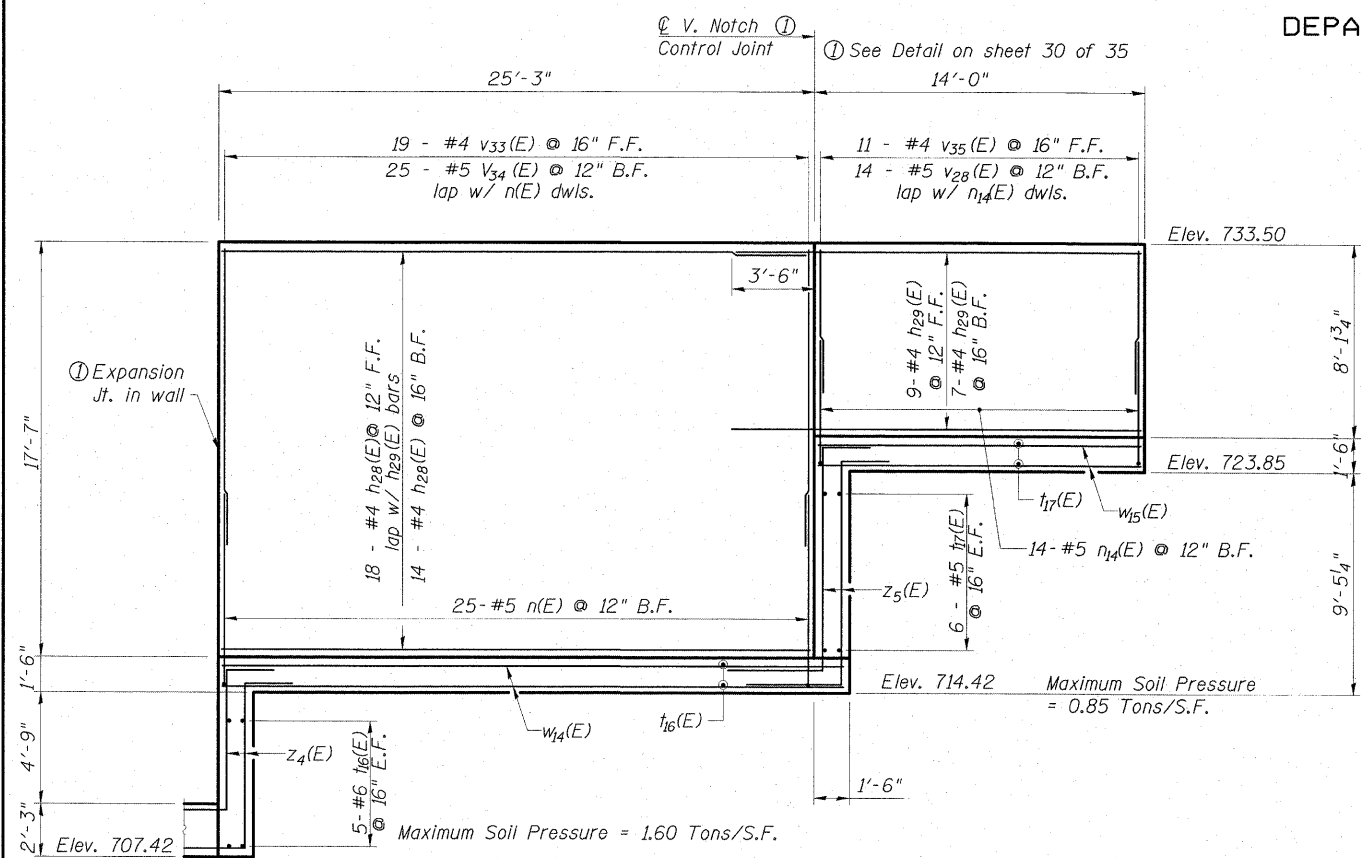
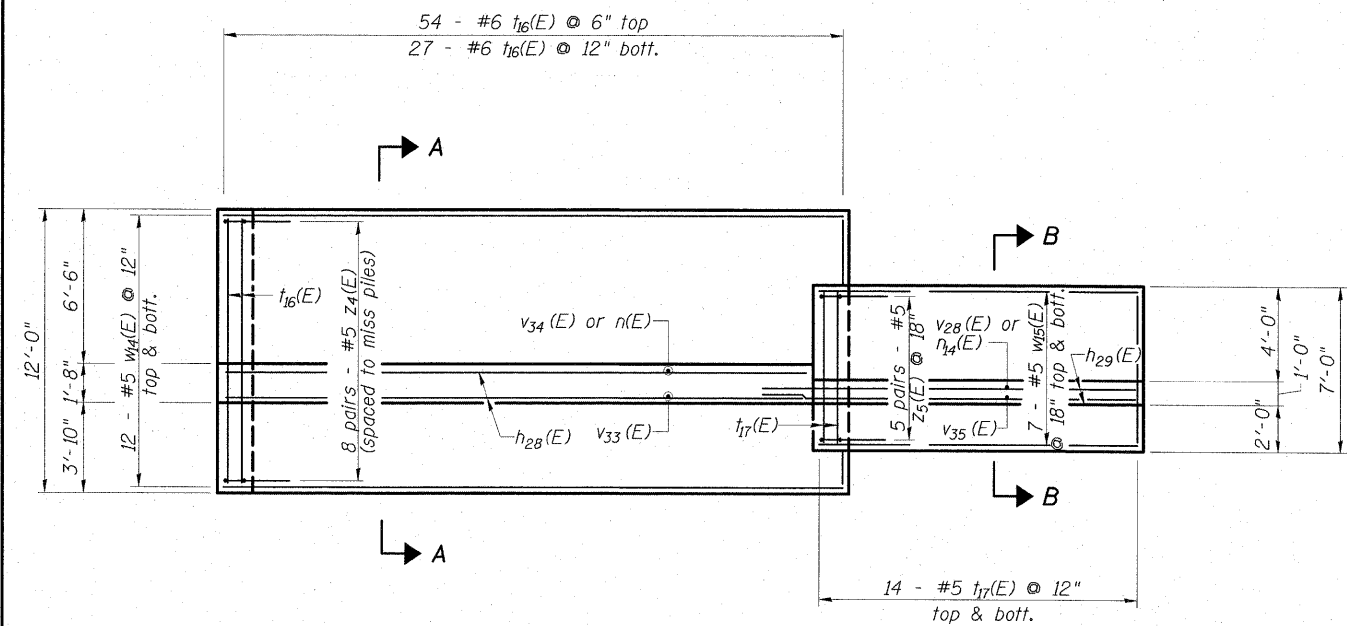


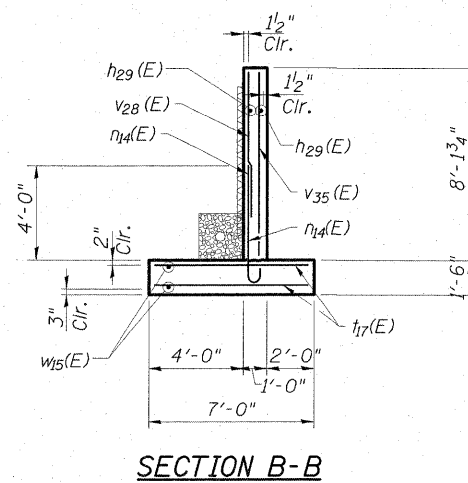
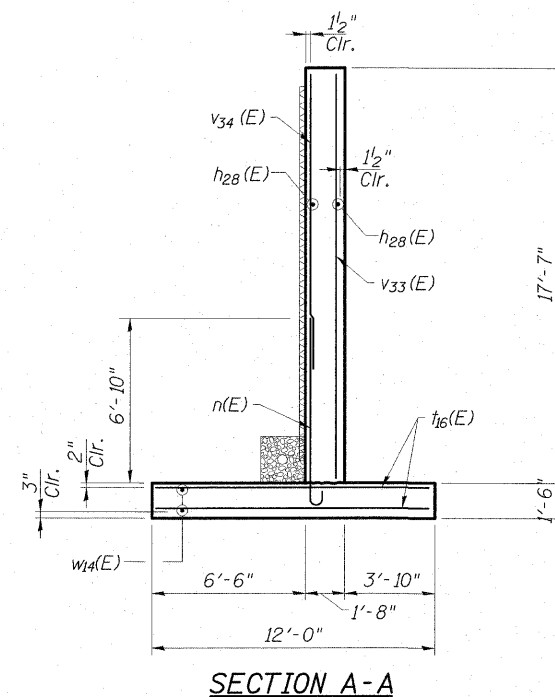
STATE OF ILLINOIS
DEPARTMENT OF TRANSPORTATION



ELEVATION



PLAN

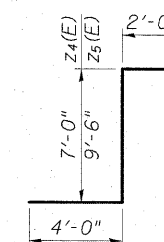


SE RETAINING WALL
BILL OF MATERIAL

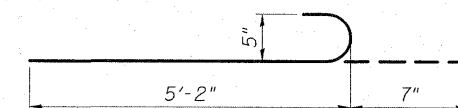
Bar	No.	Size	Length	Shape
h ₂₈ (E)	32	#4	24'-11"	—
h ₂₉ (E)	16	#4	17'-4"	—
n(E)	25	#5	8'-7"	—
n ₁₄ (E)	14	#5	5'-9"	—
t ₁₆ (E)	91	#6	11'-8"	—
t ₁₇ (E)	40	#5	6'-8"	—
v ₂₈ (E)	14	#5	5'-10"	—
v ₃₃ (E)	19	#4	17'-4"	—
v ₃₄ (E)	25	#5	12'-6"	—
v ₃₅ (E)	11	#4	7'-11"	—
w ₁₄ (E)	24	#5	26'-5"	—
w ₁₅ (E)	14	#5	13'-8"	—
z ₄ (E)	16	#5	13'-0"	J
z ₅ (E)	10	#5	15'-6"	J
Concrete Structures	Cu. Yd.	62.7		
Reinforcement Bars, Epoxy Coated	Pound	4830		
Structure Excavation	Cu. Yd.	187		

MIN. BAR LAP

#5 1'-8"



BARS z₄(E) & z₅(E)



BARS n₁₄(E)

SE RETAINING WALL
STRUCTURE NO. 015-0064

ESCA
CONSULTANTS, INC.

DESIGNED BY: RDP/DAJ 11/08
DRAWN BY: DWH 11/08
CHECKED BY: MTD 02/09
APPROVED BY: RDP 08/09

SHEET NO. 29 35 SHEETS	F.A.P. RTE.	SECTION	COUNTY	TOTAL SHEETS	SHEET NO.
		(19VBR)BR	COLES	92	53
			CONTRACT NO. 74149		
FED. ROAD DIST. NO.		ILLINOIS FED. AID PROJECT			