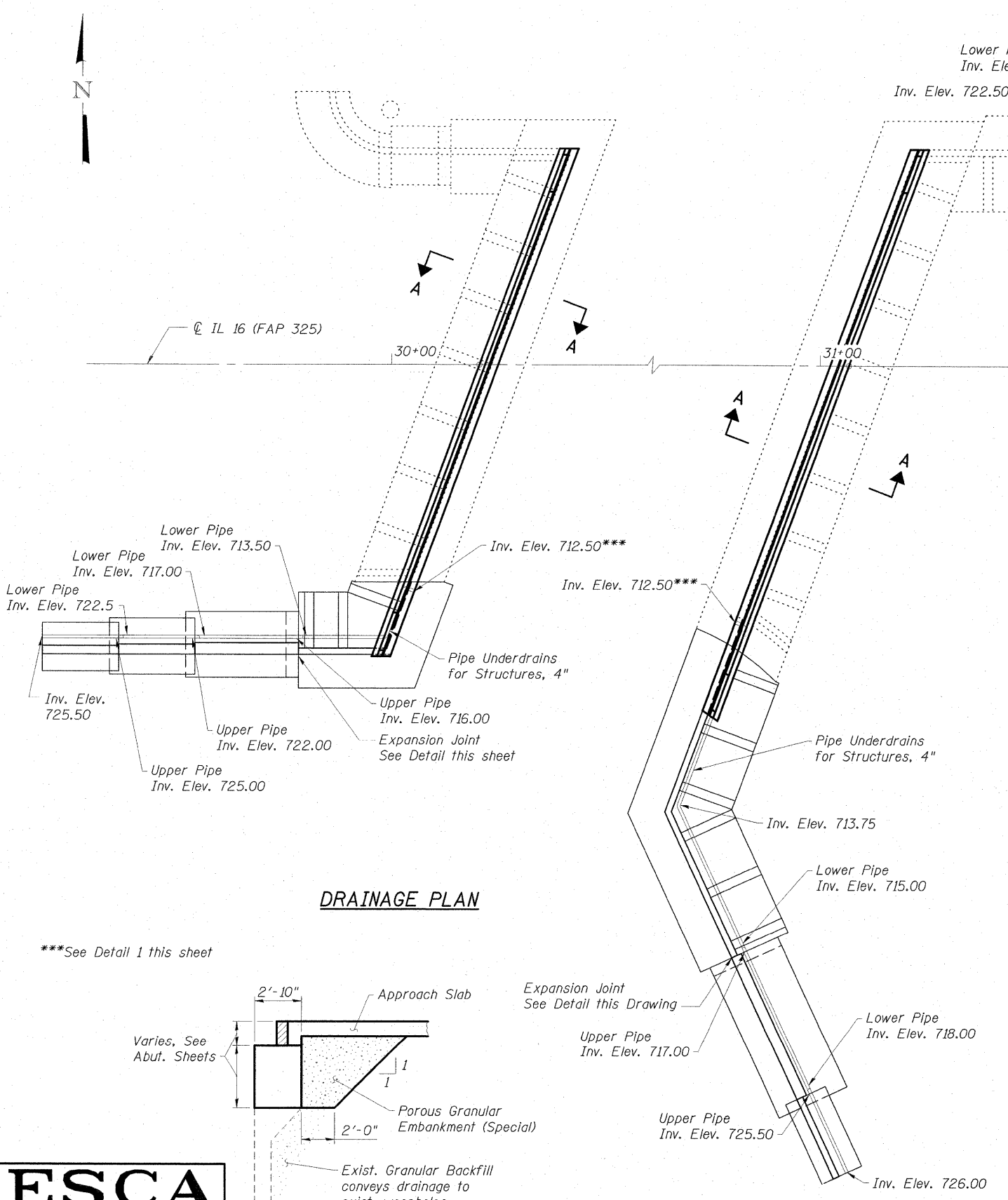
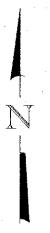
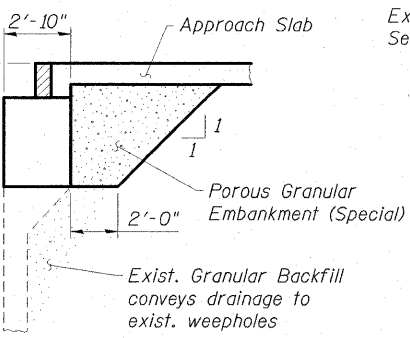


01E0064-74149-30-Rev.01.dwg 7/31/2009 12:38:02 PM HAS

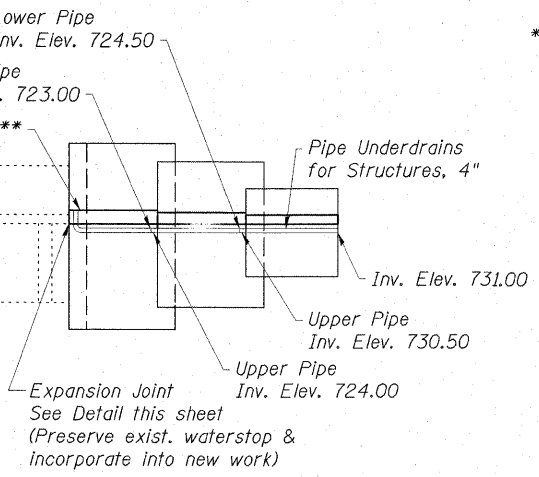
STATE OF ILLINOIS
DEPARTMENT OF TRANSPORTATION



DRAINAGE PLAN

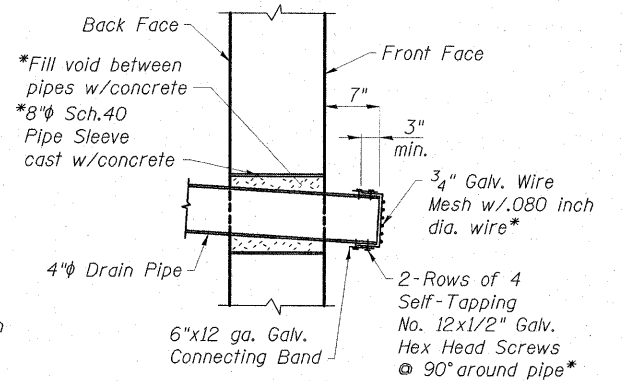


SECTION A-A



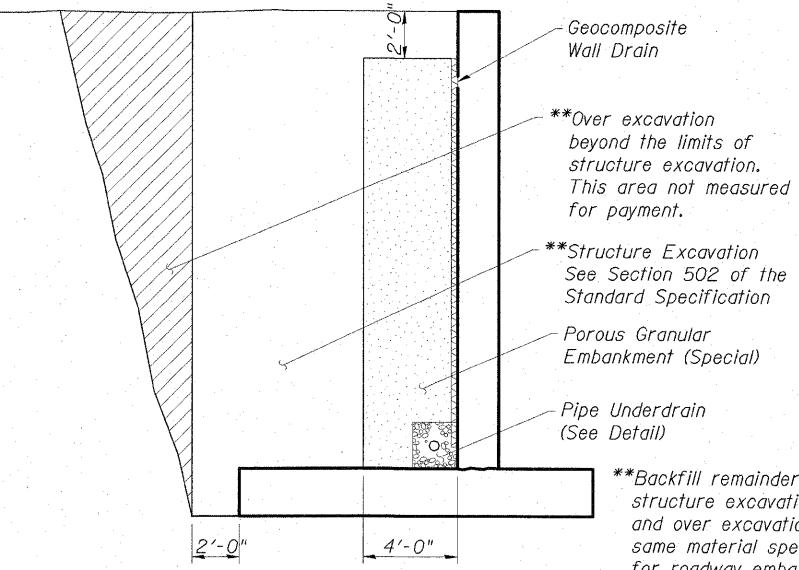
PIPE UNDERDRAIN DETAIL

*Included in the cost of "Pipe Underdrains for Structures, 4"



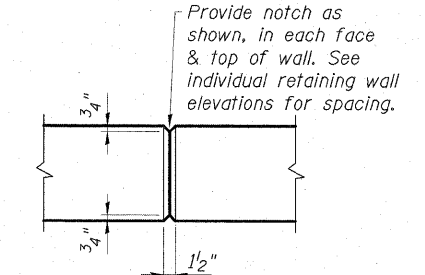
DETAIL 1

*Typical @ 3 locations (1 @ W. Abut. & 2 @ E. Abut.) Cost included with Pipe Underdrains for Structures, 4".

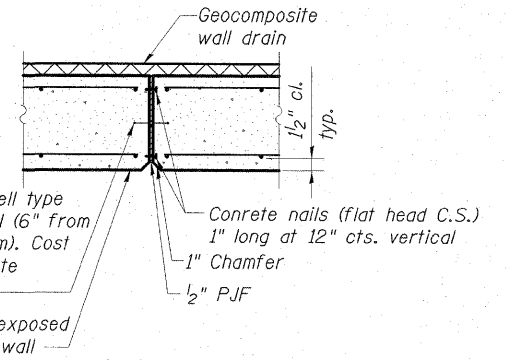


TYPICAL SECTION THRU RETAINING WALL

**Over excavation beyond the limits of structure excavation. This area not measured for payment.
**Structure Excavation See Section 502 of the Standard Specification
**Backfill remainder of structure excavation and over excavation with same material specified for roadway embankment.

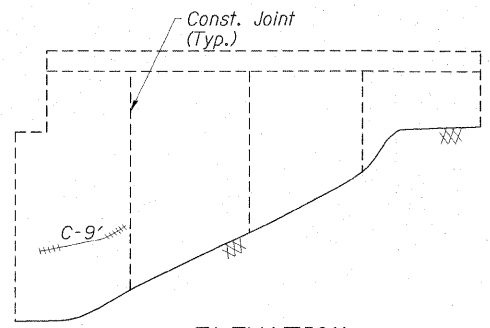


CONTROL JOINT DETAIL



EXPANSION JOINT DETAIL

(Required between Cantilever and Counterfort Walls)



ELEVATION NORTH WEST RETAINING WALL

REPAIR LEGEND

Inspection Date: 3/3/09
C-9' Crack to be epoxy injected

BILL OF MATERIAL

ITEM	UNIT	QUANTITY
Pipe Underdrains For Structures, 4"	Foot	215
Epoxy Crack Injection	Foot	9

**RETAINING WALL DETAILS
STRUCTURE NO. 015-0064**

ESCA
CONSULTANTS, INC.

DESIGNED BY: RDP 11/08
DRAWN BY: DWH 11/08
CHECKED BY: MTD 03/09
APPROVED BY: RDP 08/09

SHEET NO. 30 35 SHEETS	F.A.P. RTE.	SECTION	COUNTY	TOTAL SHEETS	SHEET NO.
	325	(19VBR)BR	COLES	92	54
FED. ROAD DIST. NO.			ILLINOIS FED. AID PROJECT	CONTRACT NO. 74149	